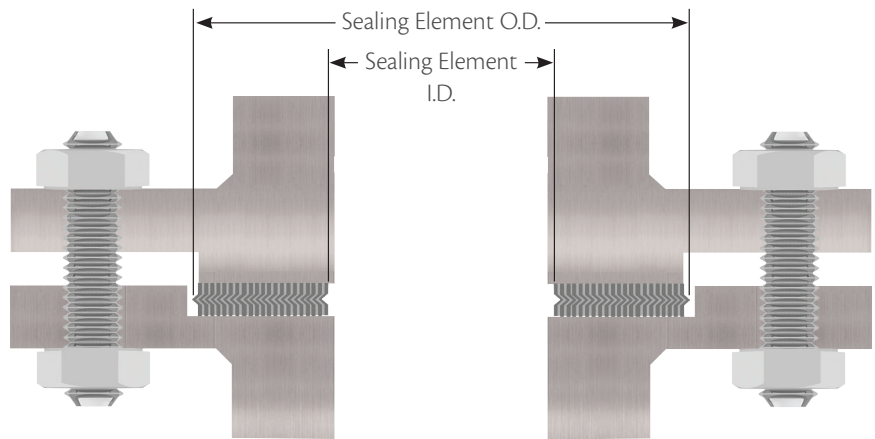
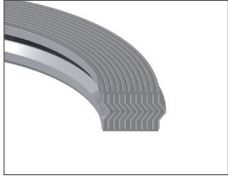


Winding Pipes Under 24"



ASME B16.5 & BS 1560 Flanges

Nom. Pipe Size	Male and Female				Large Tongue Groove		Small Tongue and Groove	
	Sealing Element 150-1500		Sealing Element Class 2500		Sealing Element Class 150-2500		Sealing Element 150-2500	
	I.D.	O.D.	I.D.	O.D.	I.D.	O.D.	I.D.	O.D.
1/4	1/2	1	-	-	1/2	1	-	-
1/2	1	1-3/8	13/16	1-3/8	1	1-3/8	1	1-3/8
3/4	1-5/16	1-11/16	1-1/16	1-11/16	1-5/16	1-11/16	1-5/16	1-11/16
1	1-1/2	2	1-1/4	2	1-1/2	2	1-1/2	1-7/8
1-1/4	1-7/8	2-1/2	1-5/8	2-1/2	1-7/8	2-1/2	1-7/8	2-1/4
1-1/2	2-1/8	2-7/8	1-7/8	2-7/8	2-1/8	2-7/8	2-1/8	2-1/2
2	2-7/8	3-5/8	2-3/8	3-5/8	2-7/8	3-5/8	2-7/8	3-1/4
2-1/2	3-3/8	4-1/8	3	4-1/8	3-3/8	4-1/8	3-3/8	3-3/4
3	4-1/4	5	3-3/4	5	4-1/8	5	4-1/4	4-5/8
3-1/2	4-3/4	5-1/2	-	-	4-3/4	5-1/2	4-3/4	5-1/8
4	5-3/16	6-3/16	4-3/4	6-3/16	5-3/16	6-3/16	5-3/16	5-11/16
4-1/2	5-11/16	6-3/4	-	-	5-11/16	6-3/4	-	-
5	6-5/16	7-5/16	5-3/4	7-5/16	6-5/16	7-5/16	6-5/16	6-13/16
6	7-1/2	8-1/2	6-3/4	8-1/2	7-1/2	8-1/2	7-1/2	8
8	9-3/8	10-5/8	8-3/4	10-5/8	9-3/8	10-5/8	9-3/8	10
10	11-1/4	12-3/4	10-3/4	12-3/4	11-1/4	12-3/4	11-1/4	12
12	13-1/2	15	13	15	13-1/2	15	13-1/2	14-1/4
14	14-3/4	16-1/4	-	-	14-3/4	16-1/4	14-3/4	15-1/2
16	17	18-1/2	-	-	17	18-1/2	16-3/4	17-5/8
18	19-1/4	21	-	-	19-1/4	21	19-1/4	20-1/8
20	21	23	-	-	21	23	21	22
24	25-1/4	27-1/4	-	-	25-1/4	27-1/4	25-1/4	26-1/4

Large Tongue & Groove Flanges:

- 1/2 size in Class 150, 300, 400, 600, 900, 1500 and 2500 are interchangeable

Male & Female and Large Tongue & Groove Flanges:

- Class 300, 400, 600 gaskets are interchangeable within their size category
- Class 900 and 1500 gaskets are interchangeable within their size category
- 1/4 size in 150 class are interchangeable

Small Tongue and Groove Flanges:

- Classes 300 thru 2500 are interchangeable within their specific size category
- 3/4 size are interchangeable with Large Male & Female and Large Tongue and Groove gaskets within their specific pressure rating
- 1/2 size are interchangeable within Large Male & Female and Large Tongue and Groove gaskets within their specific pressure rating

