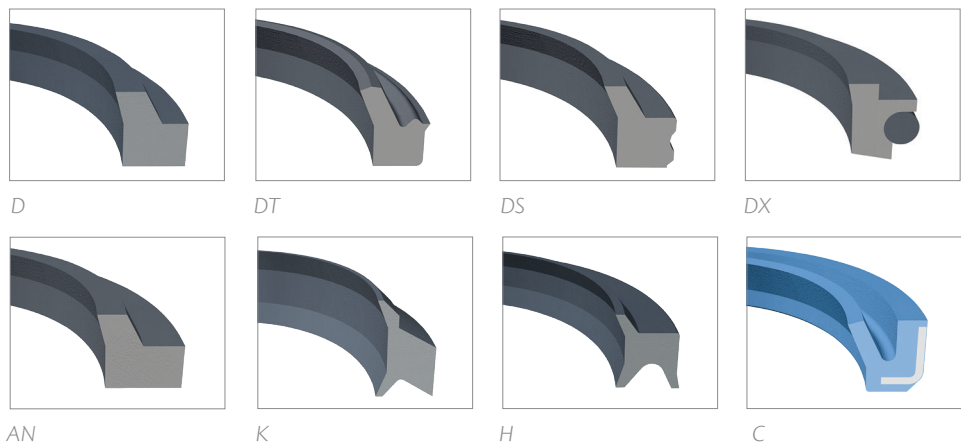
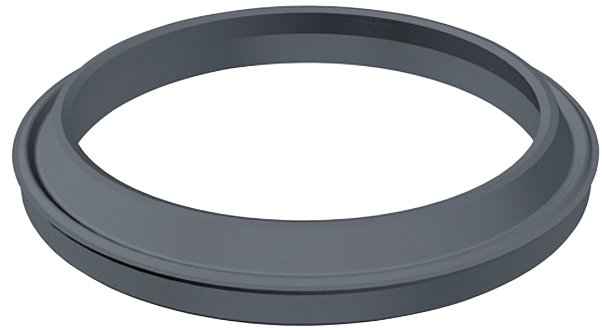


Materials	Temp. Range
Urethane	-54°C to 105°C
Hydrogenated Nitrile	-40°C to 160°C
Viton™/Fluorocarbon	-26°C to 204°C
PEEK	-70°C to 260°C
Hytrel®	-54°C to 149°C
Nitrile	-40°C to 120°C



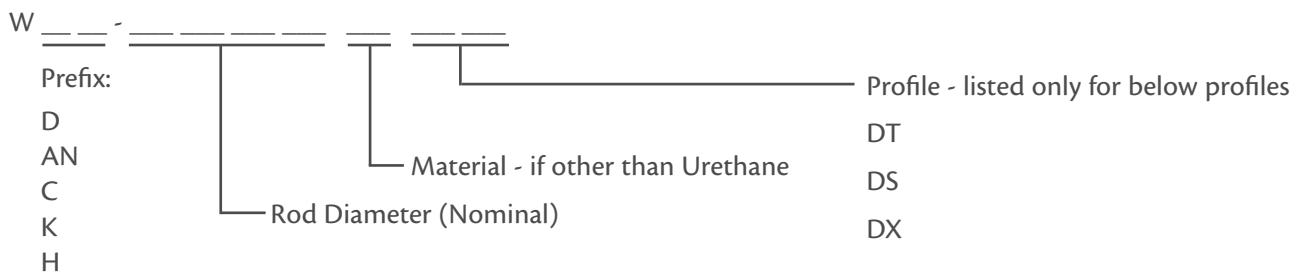
Additional styles such as Seal Guard, Trailmobile and Hyster are available upon request.

Product Description

Wipers are primarily designed to stop contaminants from entering a cylinder on the rod, however, they can also act as a secondary rod seal. If contaminants were to enter a cylinder it could lead to damage of the rod and/or other sealing components. A properly selected wiper could help reduce the need for unscheduled maintenance and even increase the time between maintenance cycles.

It is important to select the correct style and material for an application. Our standard wiper material is urethane, however, nitrile, hydrogenated nitrile, Viton™, PEEK, and Hytrel® wipers are available. When selecting the material for a wiper remember to consider: required abrasion resistance, elasticity, resilience, and fluid compatibility.

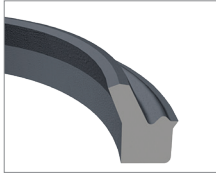
Part Numbers:



Example: WD 1250 - 1 - 1/4" Nom. I.D., Wiper, Urethane, D Style
 WD 5750DT - 5 - 3/4" Nom. I.D., Wiper, Urethane, DT Style

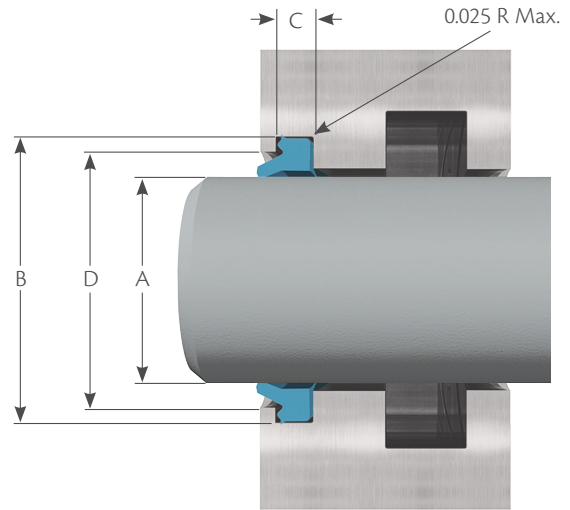
Wipers

D, DT, DS and DX styles



DT Wipers are a one piece snap-in type rod wiper designed for medium duty applications. The outside lip provides improved O.D. ingress resistance. The DT style wiper lip reduces apparent rod seal leakage with equivalent ingress resistance to a sharp lip wiper.

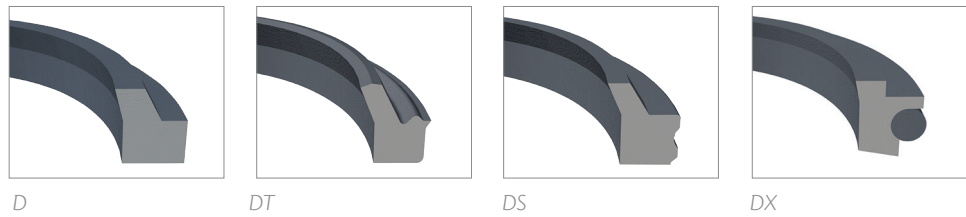
* DT, D, DS and DX are all available in the sizes listed below. WD prefix most commonly represents our DT style wiper.



*Part Number	A Shaft Diameter	B Groove Diameter +0.006 -0.000	C Groove Width +0.004 -0.000	D Shoulder Diameter +0.010 -0.000
WD 0250	0.250	0.497	0.124	0.410
WD 0312	0.313	0.560	0.124	0.475
WD 0375	0.375	0.622	0.124	0.535
WD 0437	0.438	0.685	0.124	0.600
WD 0500	0.500	0.747	0.124	0.660
WD 0562	0.563	0.810	0.124	0.725
WD 0625	0.625	0.872	0.124	0.785
WD 0687	0.688	0.935	0.124	0.850
WD 0750	0.750	1.122	0.187	0.995
WD 0812	0.813	1.185	0.187	1.060
WD 0875	0.875	1.247	0.187	1.120
WD 0937	0.938	1.310	0.187	1.185
WD 1000	1.000	1.372	0.187	1.245
WD 1062	1.063	1.435	0.187	1.310
WD 1125	1.125	1.497	0.187	1.370
WD 1187	1.188	1.560	0.187	1.435
WD 1250	1.250	1.622	0.187	1.495
WD 1312	1.313	1.685	0.187	1.560
WD 1375	1.375	1.747	0.187	1.620
WD 1437	1.438	1.810	0.187	1.685
WD 1500	1.500	1.872	0.187	1.745
WD 1562	1.563	1.935	0.187	1.810
WD 1625	1.625	1.997	0.187	1.870
WD 1687	1.688	2.060	0.187	1.935
WD 1750	1.750	2.122	0.187	1.995

*Part Number	A Shaft Diameter	B Groove Diameter +0.006 -0.000	C Groove Width +0.004 -0.000	D Shoulder Diameter +0.010 -0.000
WD 1812	1.813	2.185	0.187	2.060
WD 1875	1.875	2.247	0.187	2.120
WD 1937	1.938	2.310	0.187	2.185
WD 2000	2.000	2.497	0.249	2.327
WD 2062	2.063	2.560	0.249	2.390
WD 2125	2.125	2.622	0.249	2.452
WD 2187	2.188	2.685	0.249	2.515
WD 2250	2.250	2.747	0.249	2.577
WD 2312	2.313	2.810	0.249	2.640
WD 2375	2.375	2.872	0.249	2.702
WD 2437	2.438	2.935	0.249	2.765
WD 2500	2.500	2.997	0.249	2.827
WD 2562	2.563	3.060	0.249	2.890
WD 2625	2.625	3.122	0.249	2.952
WD 2687	2.688	3.185	0.249	3.015
WD 2750	2.750	3.247	0.249	3.077
WD 2812	2.823	3.310	0.249	3.140
WD 2875	2.875	3.372	0.249	3.202
WD 2937	2.938	3.435	0.249	3.265
WD 3000	3.000	3.497	0.249	3.327
WD 3125	3.125	3.622	0.249	3.452
WD 3250	3.250	3.747	0.249	3.577
WD 3375	3.375	3.872	0.249	3.702
WD 3500	3.500	3.997	0.249	3.827
WD 3625	3.625	4.122	0.249	3.952

DT, D, DS and DX styles



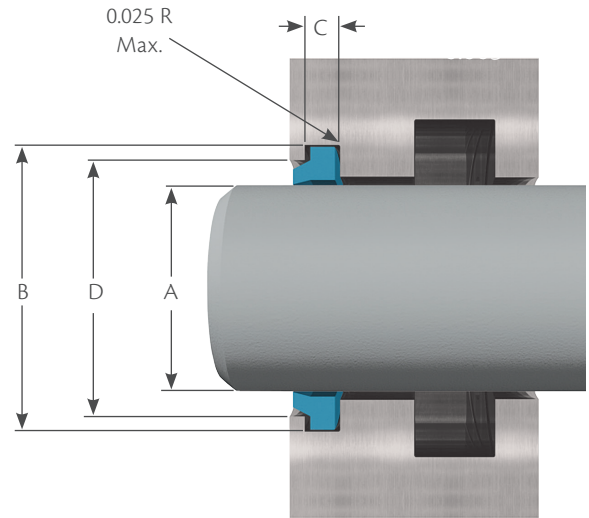
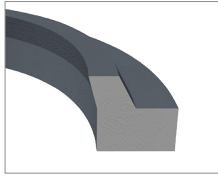
*DT, D, DS and DX are all available in the sizes listed below. WD prefix most commonly represents our DT style wiper.

*Part Number	A Shaft Diameter	B Groove Diameter +0.006 -0.000	C Groove Width +0.004 -0.000	D Shoulder Diameter +0.010 -0.000
WD 3750	3.750	4.247	0.249	4.077
WD 3875	3.875	4.372	0.249	4.202
WD 4000	4.000	4.497	0.249	4.327
WD 4125	4.125	4.622	0.249	4.452
WD 4250	4.250	4.747	0.249	4.577
WD 4375	4.375	4.872	0.249	4.702
WD 4500	4.500	5.247	0.374	4.993
WD 4625	4.625	5.372	0.374	5.118
WD 4750	4.750	5.497	0.374	5.243
WD 4875	4.875	5.622	0.374	5.368
WD 5000	5.000	5.747	0.374	5.493
WD 5125	5.125	5.872	0.374	5.618
WD 5250	5.250	5.997	0.374	5.743
WD 5375	5.375	6.122	0.374	5.868
WD 5500	5.500	6.247	0.374	5.993
WD 5625	5.625	6.372	0.374	6.118
WD 5750	5.750	6.497	0.374	6.243
WD 5875	5.875	6.622	0.374	6.368
WD 6000	6.000	6.747	0.374	6.493
WD 6250	6.250	6.997	0.374	6.743
WD 6500	6.500	7.247	0.374	6.993
WD 6750	6.250	7.497	0.374	7.243
WD 7000	7.000	7.747	0.374	7.493

*Part Number	A Shaft Diameter	B Groove Diameter +0.006 -0.000	C Groove Width +0.004 -0.000	D Shoulder Diameter +0.010 -0.000
WD 7250	7.250	7.997	0.374	7.743
WD 7500	7.500	8.247	0.374	7.993
WD 7750	7.750	8.497	0.374	8.243
WD 8000	8.000	8.747	0.374	8.493
WD 8250	8.125	8.997	0.374	8.743
WD 8500	8.500	9.247	0.374	8.993
WD 8750	8.750	9.497	0.374	9.243
WD 9000	9.000	9.747	0.374	9.493
WD 9250	9.250	9.997	0.374	9.743
WD 9500	9.500	10.247	0.374	9.993
WD 9750	9.750	10.497	0.374	10.243
WD 10000	10.000	10.997	0.499	10.659
WD 10250	10.250	11.247	0.499	10.909
WD 10500	10.500	11.497	0.499	11.159
WD 10750	10.750	11.747	0.499	11.409
WD 11000	11.000	11.997	0.499	11.659
WD 11250	11.250	12.247	0.499	11.909
WD 11500	11.500	12.497	0.499	12.159
WD 11750	11.750	12.747	0.499	12.409
WD 12000	12.000	12.997	0.499	12.659
WD 12500	12.500	13.497	0.499	13.159
WD 13000	13.000	13.997	0.499	13.659

Wipers

AN - Style

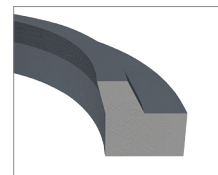


AN Wipers are a light duty snap-in wiper that will retrofit into glands prescribed in MS-3375.

Part Number	A	B	C	D
	Shaft Diameter +0.000 -0.002	Groove Diameter +0.004 -0.000	Groove Width +0.003 -0.000	Shoulder Diameter +0.005 -0.000
WAN 0500	0.498	0.760	0.107	0.647
WAN 0562	0.560	0.823	0.107	0.710
WAN 0625	0.623	0.885	0.107	0.772
WAN 0688	0.684	0.948	0.107	0.834
WAN 0750	0.748	1.010	0.107	0.897
WAN 0812	0.810	1.084	0.107	0.960
WAN 0875	0.873	1.147	0.107	1.023
WAN 0937	0.935	1.209	0.107	1.085
WAN 1000	0.998	1.272	0.107	1.148
WAN 1062	1.060	1.334	0.107	1.210
WAN 1125	1.123	1.397	0.107	1.273
WAN 1187	1.185	1.459	0.107	1.335
WAN 1250	1.248	1.522	0.107	1.398
WAN 1312	1.310	1.614	0.107	1.480
WAN 1375	1.373	1.677	0.107	1.542
WAN 1437	1.435	1.739	0.107	1.605
WAN 1500	1.498	1.802	0.107	1.668
WAN 1563	1.561	1.865	0.107	1.731
WAN 1625	1.623	1.927	0.107	1.793
WAN 1687	1.686	1.990	0.107	1.856
WAN 1750	1.748	2.052	0.107	1.918
WAN 1812	1.811	2.115	0.107	1.981
WAN 1875	1.873	2.177	0.107	2.043
WAN 1938	1.936	2.240	0.107	2.106
WAN 2000	1.998	2.302	0.107	2.178

Part Number	A	B	C	D
	Shaft Diameter +0.000 -0.002	Groove Diameter +0.004 -0.000	Groove Width +0.003 -0.000	Shoulder Diameter +0.005 -0.000
WAN 2063	2.061	2.365	0.107	2.241
WAN 2125	2.123	2.427	0.107	2.303
WAN 2188	2.186	2.490	0.107	2.366
WAN 2250	2.248	2.552	0.107	2.428
WAN 2313	2.311	2.615	0.107	2.491
WAN 2375	2.373	2.677	0.107	2.553
WAN 2437	2.436	2.740	0.107	2.616
WAN 2500	2.498	2.802	0.107	2.678
WAN 2562	2.561	2.865	0.107	2.741
WAN 2625	2.623	2.929	0.122	2.834
WAN 2688	2.686	3.052	0.122	2.897
WAN 2750	2.748	3.114	0.122	2.959
WAN 2813	2.811	3.177	0.122	3.022
WAN 2875	2.873	3.239	0.122	3.084
WAN 3000	2.997	3.364	0.122	3.209
WAN 3125	3.122	3.489	0.122	3.334
WAN 3250	3.247	3.614	0.122	3.459
WAN 3375	3.372	3.729	0.122	3.584
WAN 3500	3.497	3.864	0.122	3.709
WAN 3625	3.622	3.989	0.122	3.834
WAN 3750	3.747	4.114	0.122	3.959
WAN 3875	3.872	4.239	0.122	4.084
WAN 4000	3.997	4.427	0.138	4.240
WAN 4125	4.122	4.552	0.138	4.365
WAN 4250	4.247	4.677	0.138	4.490

AN - Style



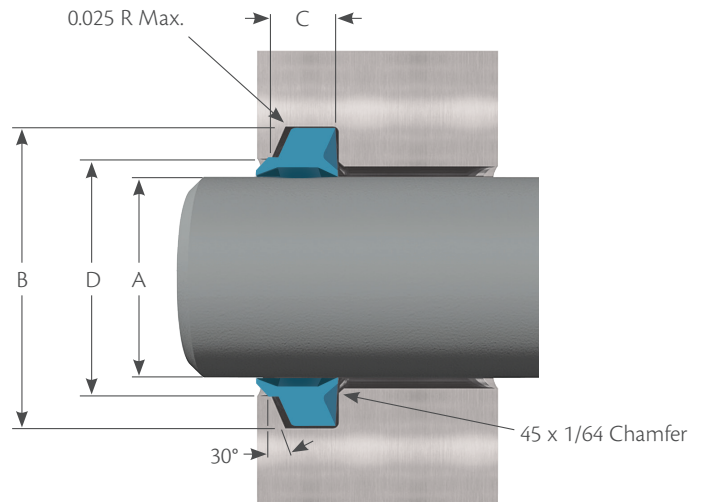
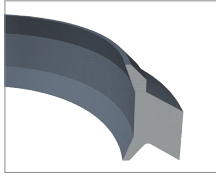
Wipers

Part Number	A Shaft Diameter	B Groove Diameter	C Groove Width	D Shoulder Diameter
	+0.000 -0.002	+0.004 -0.000	+0.003 -0.000	+0.005 -0.000
WAN 4375	4.372	4.802	0.138	4.615
WAN 4500	4.497	4.927	0.138	4.740
WAN 4625	4.622	5.052	0.138	4.865
WAN 4750	4.747	5.177	0.138	4.990
WAN 4875	4.872	5.302	0.138	5.115
WAN 5000	4.997	5.427	0.138	5.240
WAN 5125	5.122	5.552	0.138	5.365
WAN 5250	5.247	5.677	0.138	5.490
WAN 5375	5.372	5.802	0.138	5.615
WAN 5500	5.497	5.927	0.138	5.740
WAN 5625	5.622	6.114	0.154	5.896
WAN 5750	5.747	6.239	0.154	6.022
WAN 5875	5.872	6.364	0.154	6.146
WAN 6000	5.997	6.489	0.154	6.272
WAN 6250	6.247	6.739	0.154	6.522
WAN 6500	6.497	6.989	0.154	6.772
WAN 6750	6.747	7.239	0.154	7.022
WAN 7000	6.997	7.489	0.154	7.272
WAN 7250	7.247	7.739	0.154	7.522
WAN 7500	7.497	7.989	0.154	7.772
WAN 7750	7.747	8.239	0.154	8.022

Part Number	A Shaft Diameter	B Groove Diameter	C Groove Width	D Shoulder Diameter
	+0.000 -0.002	+0.004 -0.000	+0.003 -0.000	+0.005 -0.000
WAN 8000	7.997	8.489	0.154	8.272
WAN 8250	8.247	8.739	0.154	8.522
WAN 8500	8.497	8.989	0.154	8.772
WAN 8750	8.747	9.239	0.154	9.022
WAN 9000	8.997	9.489	0.154	9.272
WAN 9250	9.247	9.739	0.154	9.522
WAN 9500	9.497	9.989	0.154	9.772
WAN 9750	9.747	10.239	0.154	10.022
WAN 10000	9.997	10.489	0.154	10.272
WAN 10250	10.247	10.739	0.154	10.522
WAN 10500	10.497	10.989	0.154	10.772
WAN 10750	10.747	11.239	0.154	11.022
WAN 11000	10.997	11.489	0.154	11.272
WAN 11250	11.247	11.739	0.169	11.522
WAN 11500	11.497	11.989	0.169	11.772
WAN 11750	11.747	12.239	0.169	12.022
WAN 12000	11.997	12.489	0.169	12.272
WAN 12250	12.247	12.739	0.169	12.522
WAN 12500	12.497	12.989	0.169	12.772
WAN 12750	12.747	13.239	0.169	13.022
WAN 13000	12.997	13.489	0.169	13.272

Wipers

K - Style

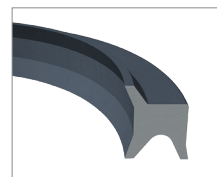
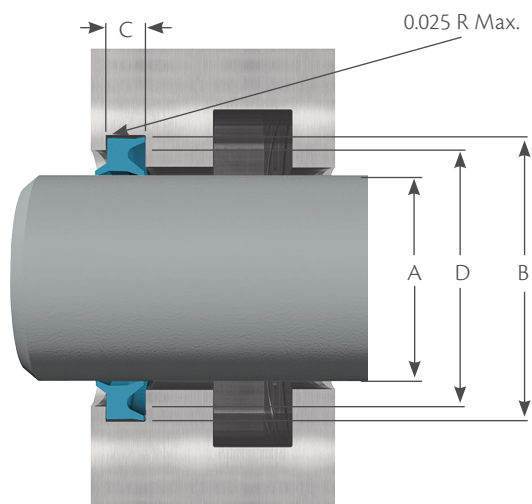


K Style Wipers are a one-piece, snap-in type rod wiper, designed for light duty applications. This style acts as a secondary rod seal.

Part Number	A Shaft Diameter	B Groove Diameter +0.005 -0.000	C Groove Width +0.015 -0.000	D Shoulder Diameter +0.015 -0.000
WK 0500	0.500	0.760	0.155	0.625
WK 0562	0.562	0.822	0.155	0.687
WK 0625	0.625	0.885	0.155	0.750
WK 0687	0.688	0.947	0.155	0.812
WK 0750	0.750	1.135	0.195	0.832
WK 0812	0.812	1.197	0.195	0.894
WK 0875	0.875	1.260	0.195	0.957
WK 0937	0.938	1.322	0.195	1.019
WK 1000	1.000	1.385	0.195	1.082
WK 1062	1.063	1.447	0.195	1.144
WK 1125	1.125	1.510	0.195	1.207
WK 1187	1.188	1.572	0.195	1.269
WK 1250	1.250	1.635	0.195	1.332
WK 1312	1.313	1.697	0.195	1.394
WK 1375	1.375	1.760	0.195	1.457
WK 1437	1.437	1.822	0.195	1.519
WK 1500	1.500	1.885	0.195	1.582
WK 1562	1.563	1.947	0.195	1.644
WK 1625	1.625	2.010	0.195	1.707
WK 1687	1.688	2.072	0.195	1.769
WK 1750	1.750	2.135	0.195	1.832
WK 1812	1.813	2.197	0.195	1.894
WK 1875	1.875	2.260	0.195	1.957
WK 1937	1.938	2.322	0.195	2.019
WK 2000	2.000	2.385	0.195	2.082
WK 2125	2.125	2.510	0.195	2.207
WK 2250	2.250	2.760	0.255	2.407
WK 2375	2.375	2.885	0.255	2.532
WK 2500	2.500	3.010	0.255	2.657
WK 2625	2.625	3.135	0.255	2.782
WK 2750	2.750	3.260	0.255	2.907
WK 2875	2.875	3.385	0.255	3.032

Part Number	A Shaft Diameter	B Groove Diameter +0.005 -0.000	C Groove Width +0.015 -0.000	D Shoulder Diameter +0.015 -0.000
WK 3000	3.000	3.510	0.255	3.157
WK 3125	3.125	3.635	0.255	3.282
WK 3250	3.250	3.760	0.255	3.407
WK 3375	3.375	3.885	0.255	3.532
WK 3500	3.500	4.010	0.255	3.657
WK 3625	3.625	4.135	0.255	3.782
WK 3750	3.750	4.260	0.255	3.907
WK 3875	3.875	4.385	0.255	4.032
WK 4000	4.000	4.510	0.255	4.157
WK 4125	4.125	4.635	0.255	4.282
WK 4250	4.250	4.760	0.255	4.407
WK 4375	4.375	4.885	0.255	4.532
WK 4500	4.500	5.010	0.255	4.657
WK 4625	4.625	5.135	0.255	4.782
WK 4750	4.750	5.260	0.255	4.907
WK 4875	4.875	5.385	0.255	5.032
WK 5000	5.000	5.510	0.255	5.157
WK 5250	5.250	5.760	0.255	5.407
WK 5500	5.500	6.010	0.255	5.657
WK 5750	5.750	6.260	0.255	5.907
WK 6000	6.000	6.510	0.255	6.157
WK 6250	6.250	6.760	0.255	6.407
WK 6500	6.500	7.010	0.255	6.657
WK 6750	6.750	7.260	0.255	6.907
WK 7000	7.000	7.510	0.255	7.157
WK 7500	7.500	8.010	0.255	7.657
WK 8000	8.000	8.510	0.255	8.157
WK 8500	8.500	9.010	0.255	8.657
WK 9000	9.000	9.510	0.255	9.157
WK 9500	9.500	10.010	0.255	9.657
WK 10000	10.000	10.510	0.255	10.157

H - Style



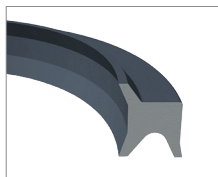
H Style Wipers are a one piece snap-in type rod wiper designed for light duty applications. This style acts as a secondary rod seal.

Part Number	A Shaft Diameter	B Groove Diameter +0.003 -0.000	C Groove Width +0.015 -0.000	D Shoulder Diameter +0.003 -0.000
WH 0250	0.250	0.552	0.203	0.370
WH 0312	0.312	0.615	0.203	0.432
WH 0375	0.375	0.677	0.203	0.495
WH 0437	0.437	0.740	0.203	0.557
WH 0500	0.500	0.802	0.203	0.620
WH 0562	0.562	0.865	0.203	0.682
WH 0625	0.625	0.927	0.203	0.745
WH 0687	0.688	0.990	0.203	0.808
WH 0750	0.750	1.052	0.203	0.870
WH 0812	0.812	1.177	0.218	0.947
WH 0875	0.875	1.240	0.218	1.010
WH 0937	0.937	1.302	0.218	1.072
WH 1000	1.000	1.365	0.218	1.135
WH 1062	1.062	1.427	0.218	1.197
WH 1125	1.125	1.490	0.218	1.260
WH 1187	1.187	1.552	0.218	1.322
WH 1250	1.250	1.615	0.218	1.385
WH 1312	1.312	1.702	0.218	1.447
WH 1375	1.375	1.740	0.218	1.510
WH 1437	1.437	1.802	0.218	1.572
WH 1500	1.500	1.865	0.218	1.635
WH 1562	1.562	1.927	0.218	1.697
WH 1625	1.625	1.990	0.218	1.760
WH 1687	1.688	2.052	0.218	1.823
WH 1750	1.750	2.115	0.218	1.885

Part Number	A Shaft Diameter	B Groove Diameter +0.003 -0.000	C Groove Width +0.015 -0.000	D Shoulder Diameter +0.003 -0.000
WH 1812	1.812	2.177	0.218	1.947
WH 1875	1.875	2.240	0.218	2.010
WH 1937	1.937	2.302	0.218	2.072
WH 2000	2.000	2.365	0.218	2.135
WH 2062	2.062	2.427	0.218	2.197
WH 2125	2.125	2.490	0.218	2.260
WH 2187	2.188	2.683	0.281	2.323
WH 2250	2.250	2.745	0.281	2.385
WH 2312	2.312	2.807	0.281	2.447
WH 2375	2.375	2.870	0.281	2.510
WH 2437	2.437	2.932	0.281	2.572
WH 2500	2.500	2.995	0.281	2.635
WH 2562	2.562	3.057	0.281	2.697
WH 2625	2.625	3.120	0.281	2.760
WH 2687	2.688	3.183	0.281	2.823
WH 2750	2.750	3.245	0.281	2.885
WH 2812	2.812	3.307	0.281	2.947
WH 2875	2.875	3.370	0.281	3.010
WH 2937	2.938	3.433	0.281	3.073
WH 3000	3.000	3.495	0.281	3.135
WH 3125	3.125	3.620	0.281	3.260
WH 3250	3.250	3.745	0.281	3.385
WH 3375	3.375	3.870	0.281	3.510
WH 3500	3.500	3.995	0.281	3.635
WH 3625	3.625	4.120	0.281	3.760

Wipers

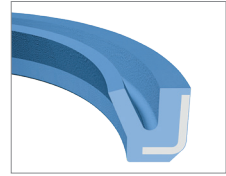
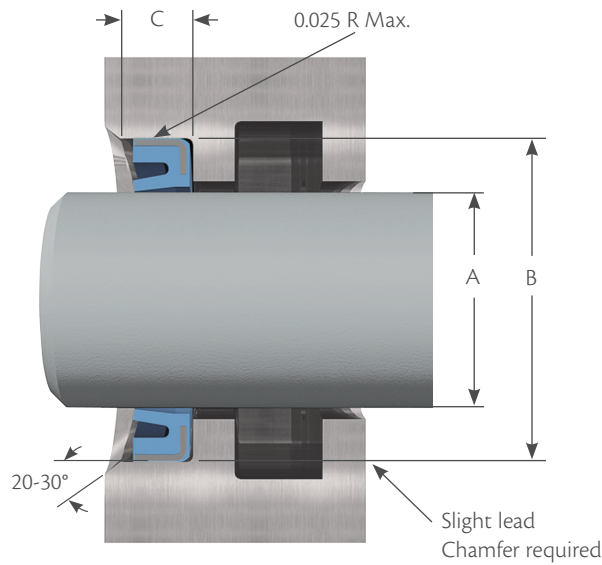
H - Style



Part Number	A	B	C	D
	Shaft Diameter	Groove Diameter +0.003 -0.000	Groove Width +0.015 -0.000	Shoulder Diameter +0.003 -0.000
WH 3750	3.750	4.245	0.281	3.885
WH 3875	3.875	4.370	0.281	4.010
WH 4000	4.000	4.495	0.281	4.135
WH 4125	4.125	4.620	0.281	4.260
WH 4250	4.250	4.745	0.281	4.385
WH 4375	4.375	4.870	0.281	4.510
WH 4500	4.500	4.995	0.281	4.635
WH 4625	4.625	5.120	0.281	4.760
WH 4750	4.750	5.245	0.281	4.885
WH 4875	4.875	5.370	0.281	5.010
WH 5000	5.000	5.495	0.281	5.135
WH 5125	5.125	5.620	0.281	5.260
WH 5250	5.250	5.745	0.281	5.385
WH 5375	5.375	5.870	0.281	5.510
WH 5500	5.500	5.995	0.281	5.635
WH 5625	5.625	6.120	0.281	5.760
WH 5750	5.750	6.245	0.281	5.885
WH 5875	5.875	6.370	0.281	6.010

Part Number	A	B	C	D
	Shaft Diameter	Groove Diameter +0.003 -0.000	Groove Width +0.015 -0.000	Shoulder Diameter +0.003 -0.000
WH 6000	6.000	6.495	0.281	6.135
WH 6250	6.250	6.745	0.281	6.385
WH 6500	6.500	6.995	0.281	6.635
WH 6750	6.750	7.245	0.281	6.885
WH 7000	7.000	7.495	0.281	7.135
WH 7250	7.250	7.745	0.281	7.385
WH 7500	7.500	7.995	0.281	7.635
WH 7750	7.750	8.245	0.281	7.885
WH 8000	8.000	8.495	0.281	8.135
WH 8250	8.250	8.745	0.281	8.385
WH 8500	8.500	8.995	0.281	8.635
WH 8750	8.750	9.245	0.281	8.885
WH 9000	9.000	9.495	0.281	9.135
WH 9250	9.250	9.745	0.281	9.385
WH 9500	9.500	9.995	0.281	9.635
WH 9750	9.750	10.245	0.281	9.885
WH 10000	10.000	10.495	0.281	10.135

Metal Encased Style



Metal encased wipers are composed of a nitrile (N) or urethane (U) element encased in a high quality steel metal retainer.

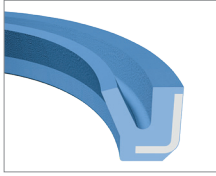
The lip is rigid enough to handle tough scraping environments such as dry or wet mud, and ice, yet sensitive enough to exclude fine dust and moisture.

Part Number	A Shaft Diameter	B Groove Diameter +0.003 -0.000	C Groove Width +0.015 -0.000	Material
WC 0500	0.500	0.750	0.125	N
WC 05001000250	0.500	1.000	0.250	U
WC 06250875	0.625	0.875	0.125	N
WC 06250937	0.625	0.937	0.187	N
WC 0625	0.625	1.125	0.312	U
WC 0687	0.687	1.000	0.187	N
WC 07501000125	0.750	1.000	0.125	N
WC 0750	0.750	1.250	0.250	U, N
WC 07501250312	0.750	1.250	0.312	U
WC 08751125	0.875	1.125	0.125	N
WC 08751250	0.875	1.250	0.187	N
WC 0875	0.875	1.375	0.312	U
WC 0937	0.937	1.187	0.125	N
WC 10001250125	1.000	1.250	0.125	N
WC 10001375	1.000	1.375	0.187	N
WC 1000187	1.000	1.500	0.187	N
WC 1000	1.000	1.500	0.312	U
WC 1063	1.063	1.500	0.187	N
WC 11251500187	1.125	1.500	0.187	N
WC 1125250	1.125	1.625	0.250	N
WC 1125	1.125	1.625	0.312	U
WC 1187	1.187	1.625	0.250	U
WC 12501500125	1.250	1.500	0.125	N
WC 12501690187	1.250	1.690	0.187	N

Part Number	A Shaft Diameter	B Groove Diameter +0.003 -0.000	C Groove Width +0.015 -0.000	Material
WC 1250250	1.250	1.750	0.250	U, N
WC 1250	1.250	1.750	0.312	U
WC 12501750312	1.250	1.750	0.312	N
WC 13751625	1.375	1.625	0.125	N
WC 13751750	1.375	1.750	0.187	N
WC 1375250	1.375	1.875	0.250	N
WC 1375	1.375	1.875	0.312	U
WC 13752000312	1.375	2.000	0.312	N
WC 15001875187	1.500	1.875	0.187	N
WC 15001875250	1.500	1.875	0.250	N
WC 1500250	1.500	2.000	0.250	U, N
WC 1500	1.500	2.000	0.312	U
WC 15002125	1.500	2.125	0.312	U
WC 1500375	1.500	2.250	0.375	U
WC 16252125250	1.625	2.125	0.250	N
WC 1625	1.625	2.125	0.312	U
WC 17502125187	1.750	2.125	0.187	N
WC 1750250	1.750	2.250	0.250	U, N
WC 1750	1.750	2.250	0.312	U
WC 1750375	1.750	2.437	0.375	U
WC 1875	1.875	2.375	0.312	U
WC 20002375187	2.000	2.375	0.187	N
WC 2000250	2.000	2.500	0.250	U
WC 2000	2.000	2.500	0.312	U

Wipers

Metal Encased Style



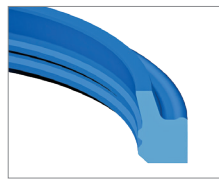
Wipers

Part Number	A Shaft Diameter	B Groove Diameter +0.003 -0.000	C Groove Width +0.015 -0.000	Material
WC 20002625	2.000	2.625	0.250	N
WC 2000375	2.000	2.687	0.375	N
WC 20002750	2.000	2.750	0.375	U
WC 2125	2.125	2.625	0.312	U
WC 2250250	2.250	2.750	0.250	U
WC 22502625	2.250	2.625	0.250	N
WC 2250	2.250	2.750	0.312	U
WC 22502875	2.250	2.875	0.250	N
WC 2250375	2.250	3.000	0.375	N
WC 2375	2.375	2.875	0.312	U
WC 2375375	2.375	3.125	0.375	U
WC 25003000250	2.500	3.000	0.250	N
WC 2500	2.500	3.000	0.312	U
WC 25003125	2.500	3.125	0.250	U, N
WC 25003250250	2.500	3.250	0.250	U
WC 2625	2.625	3.125	0.250	U
WC 2750187	2.750	3.250	0.187	N
WC 2750	2.750	3.250	0.312	U
WC 27503500375	2.750	3.500	0.375	U
WC 2750500	2.750	3.750	0.500	U
WC 3000	3.000	3.500	0.312	U
WC 3000375	3.000	3.750	0.375	U
WC 3000500	3.000	4.000	0.500	N
WC 30003625250	3.000	3.625	0.250	N
WC 30003750250	3.000	3.750	0.250	U
WC 32503750	3.250	3.750	0.312	U
WC 3250	3.250	3.875	0.312	U

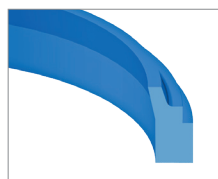
Part Number	A Shaft Diameter	B Groove Diameter +0.003 -0.000	C Groove Width +0.015 -0.000	Material
WC 3250500	3.250	4.250	0.500	N
WC 35004000	3.500	4.000	0.312	U
WC 3500	3.500	4.125	0.312	U
WC 35004250	3.500	4.250	0.250	U
WC 3500500	3.500	4.500	0.500	U
WC 35004750250	3.500	4.750	0.250	N
WC 3625	3.625	4.250	0.312	U
WC 3750	3.750	4.375	0.312	U
WC 4000	4.000	4.625	0.312	U
WC 40004750	4.000	4.750	0.312	U
WC 4000500	4.000	5.000	0.500	U
WC 4250	4.250	4.875	0.312	U
WC 4375312	4.375	5.000	0.312	U
WC 4500	4.500	5.125	0.312	U
WC 45005250	4.500	5.250	0.312	U
WC 4500500	4.500	5.500	0.500	U
WC 4750500	4.750	5.750	0.500	U
WC 5000	5.000	5.750	0.312	U
WC 52505750	5.250	5.750	0.312	U
WC 5250	5.250	5.875	0.312	U
WC 55006125375	5.500	6.125	0.375	U
WC 55006250	5.500	6.250	0.312	U
WC 57506375375	5.750	6.375	0.375	U
WC 6000	6.000	6.625	0.375	U
WC 6000500	6.000	7.000	0.500	U
WC 6500625	6.500	7.500	0.625	U
WC 6750	6.750	7.375	0.375	U

Metal encased wipers are typically stocked in nitrile (N) or urethane (U), however, additional materials and sizes are available.

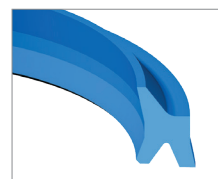
Materials	Temp. Range
Urethane	-54°C to 105°C
Nitrile	-40°C to 120°C
Hydrogenated Nitrile	-40°C to 160°C
Viton™/Fluorocarbon	-26°C to 204°C
PEEK	-70°C to 260°C
Hytrel®	-54°C to 149°C



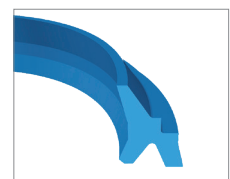
D-Style (WDM)



Stepped D-Style (WDM)



H-Style (WHM)



Stepped H-Style (WHM)



Metal Encased (WCM)



Metal Encased (WCM) Interchangeable



Metal Encased (WCM) Pin Eye (PE)



Metal Encased H-Style (WCM)

Product Description

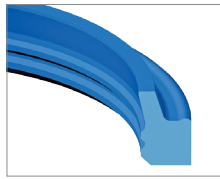
Wipers are primarily designed to stop contaminants from entering a cylinder on the rod, however, they can also act as a secondary rod seal. If contaminants were to enter a cylinder, it could lead to damage of the rod and/or other sealing components. A properly selected wiper could help reduce the need for unscheduled maintenance and even increase the time between maintenance cycles.

It is important to select the correct style and material for an application. When selecting the material for a wiper, remember to consider the required abrasion resistance, elasticity, resilience, and fluid compatibility.

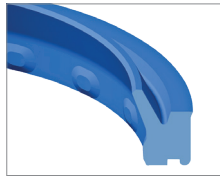
Wipers

METRIC SEALS

D-Style



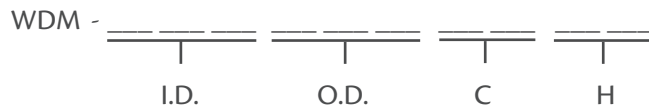
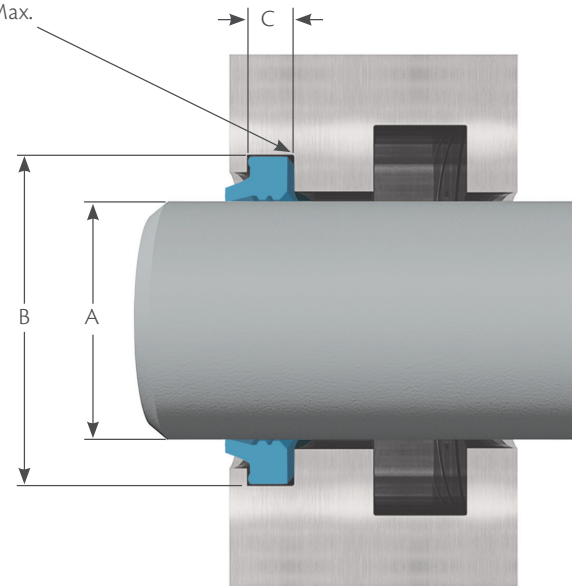
Primary Design



Interchangeable Design



0.635 R Max.

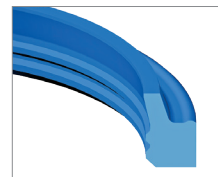


Our standard material for a D-Style wiper is urethane.

Part Number	A Shaft Dia.	B Groove Dia.	C Groove Width	H Seal Height
WDM 1622355	16.00	22.00	3.50	5.00
WDM 162457	16.00	24.00	5.00	7.00
WDM 202857	20.00	28.00	5.00	7.00
WDM 223057	22.00	30.00	5.00	7.00
WDM 253357	25.00	33.00	5.00	7.00
WDM 263457	26.00	34.00	5.00	7.00
WDM 283657	28.00	36.00	5.00	7.00
WDM 303857	30.00	38.00	5.00	7.00
WDM 324057	32.00	40.00	5.00	7.00
WDM 354357	35.00	43.00	5.00	7.00
WDM 364457	36.00	44.00	5.00	7.00
WDM 384657	38.00	46.00	5.00	7.00
WDM 404857	40.00	48.00	5.00	7.00
WDM 425057	42.00	50.00	5.00	7.00
WDM 455357	45.00	53.00	5.00	7.00
WDM 455557	45.00	55.00	5.00	7.00
WDM 475557	47.00	55.00	5.00	7.00
WDM 485657	48.00	56.00	5.00	7.00
WDM 505857	50.00	58.00	5.00	7.00
WDM 506057	50.00	60.00	5.00	7.00

Part Number	A Shaft Dia.	B Groove Dia.	C Groove Width	H Seal Height
WDM 526057	52.00	60.00	5.00	7.00
WDM 556357	55.00	63.00	5.00	7.00
WDM 556557	55.00	65.00	5.00	7.00
WDM 566657	56.00	66.00	5.00	7.00
WDM 606857	60.00	68.00	5.00	7.00
WDM 607057	60.00	70.00	5.00	7.00
WDM 616957	61.00	69.00	5.00	7.00
WDM 627057	62.00	70.00	5.00	7.00
WDM 637157	63.00	71.00	5.00	7.00
WDM 637357	63.00	73.00	5.00	7.00
WDM 637357	63.00	73.00	5.00	7.00
WDM 657357	65.00	73.00	5.00	7.00
WDM 657557	65.00	75.00	5.00	7.00
WDM 707857	70.00	78.00	5.00	7.00
WDM 708057	70.00	80.00	5.00	7.00
WDM 7082712	70.00	82.00	7.00	12.00
WDM 758357	75.00	83.00	5.00	7.00
WDM 7587712	75.00	87.00	7.00	12.00
WDM 768457	76.00	84.00	5.00	7.00
WDM 808857	80.00	88.00	5.00	7.00

D-Style



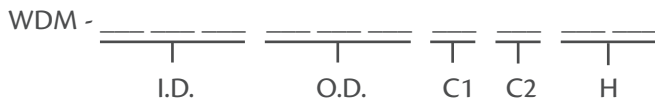
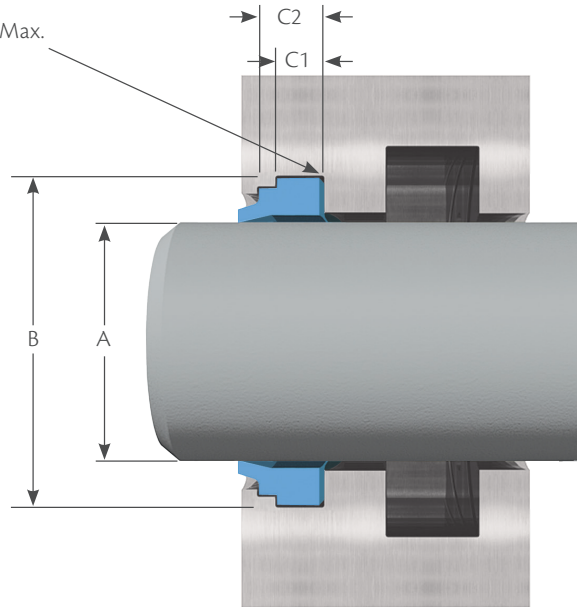
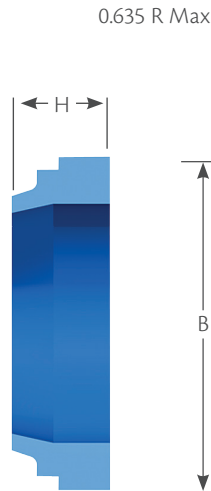
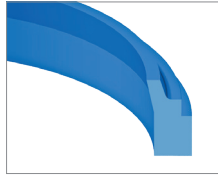
Part Number	A Shaft Dia.	B Groove Dia.	C Groove Width	H Seal Height
WDM 8092712	80.00	92.00	7.00	12.00
WDM 829057	82.00	90.00	5.00	7.00
WDM 859357	85.00	93.00	5.00	7.00
WDM 859557	85.00	95.00	5.00	7.00
WDM 8597712	85.00	97.00	7.00	12.00
WDM 889657	88.00	96.00	5.00	7.00
WDM 909857	90.00	98.00	5.00	7.00
WDM 9010057	90.00	100.00	5.00	7.00
WDM 90102712	90.00	102.00	7.00	12.00
WDM 95107712	95.00	107.00	7.00	12.00
WDM 10010857	100.00	108.00	5.00	7.00
WDM 100112712	100.00	112.00	7.00	12.00
WDM 10511357	105.00	113.00	5.00	7.00
WDM 105117712	105.00	117.00	7.00	12.00
WDM 11011857	110.00	118.00	5.00	7.00
WDM 110122712	110.00	122.00	7.00	12.00
WDM 115127712	115.00	127.00	7.00	12.00
WDM 12012857	120.00	128.00	5.00	7.00
WDM 12013057	120.00	130.00	5.00	7.00
WDM 120132712	120.00	132.00	7.00	12.00

Part Number	A Shaft Dia.	B Groove Dia.	C Groove Width	H Seal Height
WDM 125137712	125.00	137.00	7.00	12.00
WDM 1251401016	125.00	140.00	10.00	16.00
WDM 12814057	128.00	140.00	5.00	7.00
WDM 130142712	130.00	142.00	7.00	12.00
WDM 13514357	135.00	143.00	5.00	7.00
WDM 135147712	135.00	147.00	7.00	12.00
WDM 14014857	140.00	148.00	5.00	7.00
WDM 1401551016	140.00	155.00	10.00	16.00
WDM 15015857	150.00	158.00	5.00	7.00
WDM 150162712	150.00	162.00	7.00	12.00
WDM 150165712	150.00	165.00	7.00	12.00
WDM 1501651016	150.00	165.00	10.00	16.00
WDM 155167712	155.00	167.00	7.00	12.00
WDM 1601751016	160.00	175.00	10.00	16.00
WDM 1701851016	170.00	185.00	10.00	16.00
WDM 1751901016	175.00	190.00	10.00	16.00
WDM 1801951016	180.00	195.00	10.00	16.00
WDM 1802001018	180.00	200.00	10.00	18.00
WDM 1902101016	190.00	210.00	10.00	16.00
WDM 2002201018	200.00	220.00	10.00	18.00

Wipers

METRIC SEALS

Stepped D-Style



Our standard material for a Stepped D-Style wiper is urethane.

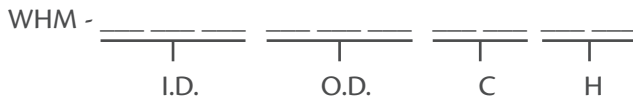
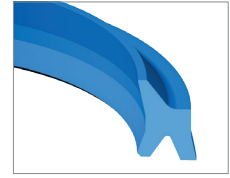
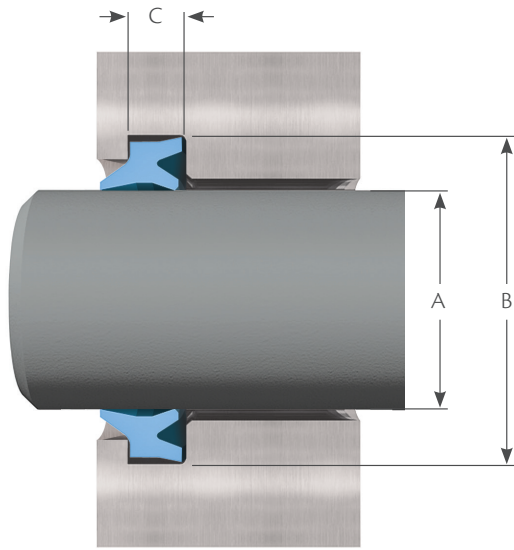
Part Number	A Shaft Dia.	B Groove Dia.	C1 Groove Widths	C2 Groove Widths	H Seal Height
WDM 816457	8.00	16.00	4.00	5.00	7.00
WDM 1018457	10.00	18.00	4.00	5.00	7.00
WDM 1220457	12.00	20.00	4.00	5.00	7.00
WDM 1624457	16.00	24.00	4.00	5.00	7.00
WDM 1826457	18.00	26.00	4.00	5.00	7.00
WDM 2028457	20.00	28.00	4.00	5.00	7.00
WDM 2230457	22.00	30.00	4.00	5.00	7.00
WDM 2533457	25.00	33.00	4.00	5.00	7.00
WDM 2836457	28.00	36.00	4.00	5.00	7.00
WDM 3038457	30.00	38.00	4.00	5.00	7.00
WDM 3240457	32.00	40.00	4.00	5.00	7.00
WDM 3543457	35.00	43.00	4.00	5.00	7.00
WDM 3644457	36.00	44.00	4.00	5.00	7.00
WDM 4048457	40.00	48.00	4.00	5.00	7.00
WDM 4250457	42.00	50.00	4.00	5.00	7.00
WDM 4452457	44.00	52.00	4.00	5.00	7.00
WDM 4553457	45.00	53.00	4.00	5.00	7.00
WDM 4856457	48.00	56.00	4.00	5.00	7.00
WDM 5058457	50.00	58.00	4.00	5.00	7.00
WDM 5563457	55.00	63.00	4.00	5.00	7.00
WDM 5664457	56.00	64.00	4.00	5.00	7.00

Part Number	A Shaft Dia.	B Groove Dia.	C1 Groove Widths	C2 Groove Widths	H Seal Height
WDM 6068457	60.00	68.00	4.00	5.00	7.00
WDM 6270457	62.00	70.00	4.00	5.00	7.00
WDM 6371457	63.00	71.00	4.00	5.00	7.00
WDM 6573457	65.00	73.00	4.00	5.00	7.00
WDM 7078457	70.00	78.00	4.00	5.00	7.00
WDM 7583457	75.00	83.00	4.00	5.00	7.00
WDM 8088457	80.00	88.00	4.00	5.00	7.00
WDM 8593457	85.00	93.00	4.00	5.00	7.00
WDM 9098457	90.00	98.00	4.00	5.00	7.00
WDM 100108457	100.00	108.00	4.00	5.00	7.00
WDM 110122457	110.00	122.00	4.00	5.00	7.00
WDM 11012255710	110.00	122.00	5.50	7.00	10.00
WDM 11512755710	115.00	127.00	5.50	7.00	10.00
WDM 125137457	125.00	137.00	4.00	5.00	7.00
WDM 12513755710	125.00	137.00	5.50	7.00	10.00
WDM 14015255710	140.00	152.00	5.50	7.00	10.00
WDM 160172457	160.00	172.00	4.00	5.00	7.00
WDM 16017255710	160.00	172.00	5.50	7.00	10.00
WDM 16517755710	165.00	177.00	5.50	7.00	10.00
WDM 18019255710	180.00	192.00	5.50	7.00	10.00
WDM 5664457	56.00	64.00	4.00	5.00	7.00

Additional sizes and styles are available upon request.

Wipers

H-Style



Our standard material for a H-Style wiper is urethane.

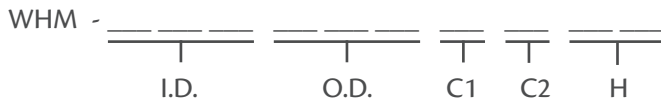
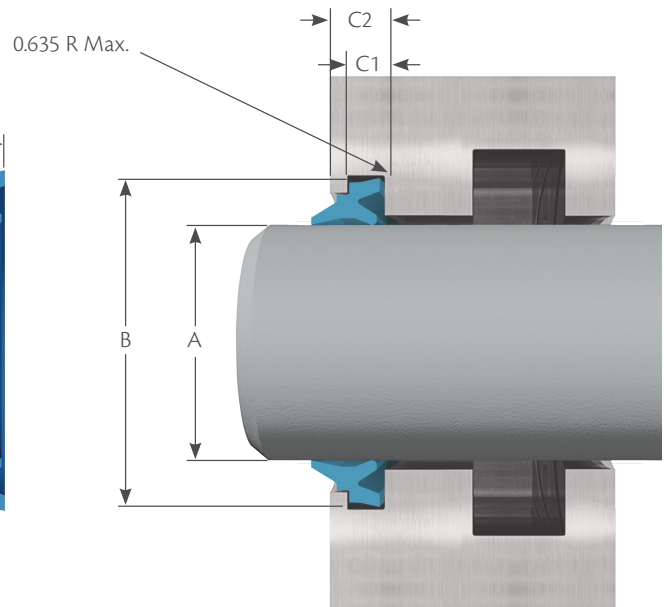
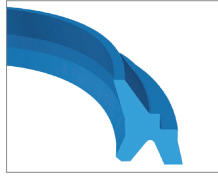
Part Number	A Shaft Dia.	B Groove Dia.	C Groove Width	H Seal Height
WHM 12206688	12.00	20.00	6.60	8.80
WHM 182657	18.00	26.00	5.00	7.00
WHM 1929565	19.00	29.00	5.00	6.50
WHM 2026364	20.00	26.00	3.60	4.00
WHM 202645	20.00	26.00	4.00	5.00
WHM 2028456	20.00	28.00	4.50	6.00
WHM 2230456	22.00	30.00	4.50	6.00
WHM 223057	22.00	30.00	5.00	7.00
WHM 2533456	25.00	33.00	4.50	6.00
WHM 3038565	30.00	38.00	5.00	6.50
WHM 3240565	32.00	40.00	5.00	6.50
WHM 3543565	35.00	43.00	5.00	6.50
WHM 3644565	36.00	44.00	5.00	6.50
WHM 384657	38.00	46.00	5.00	7.00
WHM 404857	40.00	48.00	5.00	7.00
WHM 4050565	40.00	50.00	5.00	6.50
WHM 455357	45.00	53.00	5.00	7.00

Part Number	A Shaft Dia.	B Groove Dia.	C Groove Width	H Seal Height
WHM 505857	50.00	58.00	5.00	7.00
WHM 556357	55.00	63.00	5.00	7.00
WHM 56665585	56.00	66.00	5.50	8.50
WHM 606857	60.00	68.00	5.00	7.00
WHM 637157	63.00	71.00	5.00	7.00
WHM 657357	65.00	73.00	5.00	7.00
WHM 708068	70.00	80.00	6.00	8.00
WHM 758568	75.00	85.00	6.00	8.00
WHM 859568	85.00	95.00	6.00	8.00
WHM 9510568	95.00	105.00	6.00	8.00
WHM 10011068	100.00	110.00	6.00	8.00
WHM 132145795	132.00	145.00	7.00	9.50
WHM 2002201018	200.00	220.00	10.00	18.00
WHM 2202401018	220.00	240.00	10.00	18.00
WHM 3003201013	300.00	320.00	10.00	13.00
WHM 333601827	330.00	360.00	18.00	27.00

Wipers

METRIC SEALS

Stepped H-Style



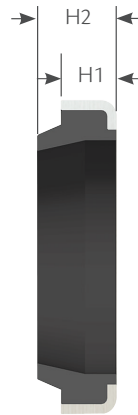
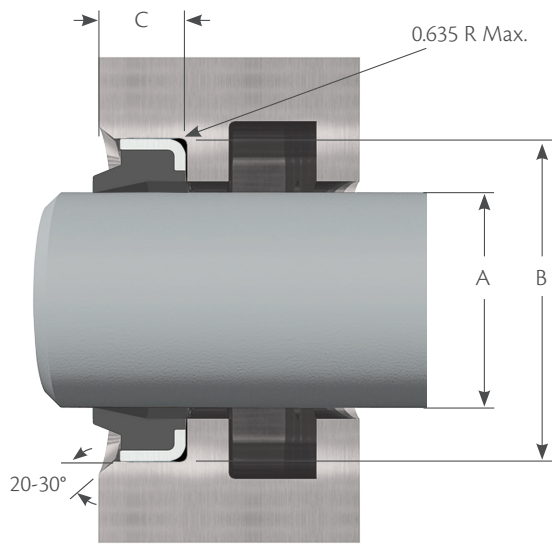
Our standard material for a Stepped H-Style wipers is urethane.

Part Number	A Shaft Dia.	B Groove Dia.	C1 Groove Widths	C2 Groove Widths	H Seal Height
WHM 1018468	10.00	18.00	4.00	6.00	8.00
WHM 1220468	12.00	20.00	4.00	6.00	8.00
WHM 1220468	12.00	20.00	4.00	6.00	8.00
WHM 1422468	14.00	22.00	4.00	6.00	8.00
WHM 1523468	15.00	23.00	4.00	6.00	8.00
WHM 1624468	16.00	24.00	4.00	6.00	8.00
WHM 1826468	18.00	26.00	4.00	6.00	8.00
WHM 2028468	20.00	28.00	4.00	6.00	8.00
WHM 2230468	22.00	30.00	4.00	6.00	8.00
WHM 2533468	25.00	33.00	4.00	6.00	8.00
WHM 2836468	28.00	36.00	4.00	6.00	8.00
WHM 3038468	30.00	38.00	4.00	6.00	8.00
WHM 3240468	32.00	40.00	4.00	6.00	8.00
WHM 3543468	35.00	43.00	4.00	6.00	8.00
WHM 3644468	36.00	44.00	4.00	6.00	8.00
WHM 4048468	40.00	48.00	4.00	6.00	8.00
WHM 4250468	42.00	50.00	4.00	6.00	8.00
WHM 4553468	45.00	53.00	4.00	6.00	8.00
WHM 5058468	50.00	58.00	4.00	6.00	8.00
WHM 5563468	55.00	63.00	4.00	6.00	8.00
WHM 5664468	56.00	64.00	4.00	6.00	8.00
WHM 6068468	60.00	68.00	4.00	6.00	8.00

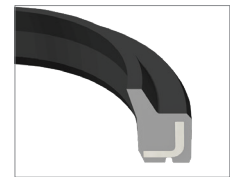
Part Number	A Shaft Dia.	B Groove Dia.	C1 Groove Widths	C2 Groove Widths	H Seal Height
WHM 6371468	63.00	71.00	4.00	6.00	8.00
WHM 6573468	65.00	73.00	4.00	6.00	8.00
WHM 7078468	70.00	78.00	4.00	6.00	8.00
WHM 7583468	75.00	83.00	4.00	6.00	8.00
WHM 8088468	80.00	88.00	4.00	6.00	8.00
WHM 8593468	85.00	93.00	4.00	6.00	8.00
WHM 9098468	90.00	98.00	4.00	6.00	8.00
WHM 100108468	100.00	108.00	4.00	6.00	8.00
WHM 105117558211	105.00	117.00	5.50	8.20	11.00
WHM 110122558211	110.00	122.00	5.50	8.20	11.00
WHM 115127558211	115.00	127.00	5.50	8.20	11.00
WHM 120132558211	120.00	132.00	5.50	8.20	11.00
WHM 125137558211	125.00	137.00	5.50	8.20	11.00
WHM 130142558211	130.00	142.00	5.50	8.20	11.00
WHM 135147558211	135.00	147.00	5.50	8.20	11.00
WHM 140152558211	140.00	152.00	5.50	8.20	11.00
WHM 150162558211	150.00	162.00	5.50	8.20	11.00
WHM 160172558211	160.00	172.00	5.50	8.20	11.00
WHM 170182558211	170.00	182.00	5.50	8.20	11.00
WHM 180192558211	180.00	192.00	5.50	8.20	11.00
WHM 200212558211	200.00	212.00	5.50	8.20	11.00

Wipers

Metal Encased

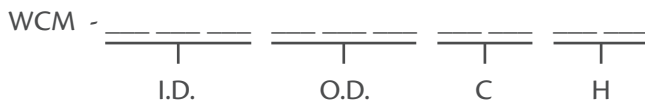


Primary Design



Interchangeable Design

Wipers



Our standard materials of a metal clad wiper are a nitrile sealing element with a steel case.

Part Number	A Shaft Dia.	B Groove Dia.	C Groove Width	H1 Seal Heights	H2 Seal Heights
WCM 1016345	10.00	16.00	3.50	3.00	4.50
WCM 102058	10.00	20.00	5.50	5.00	8.00
WCM 122046	12.00	20.00	4.50	4.00	6.00
WCM 1420355	14.00	20.00	4.00	3.50	5.00
WCM 142234	14.00	22.00	3.50	3.00	4.00
WCM 152558	15.00	25.00	5.050	5.00	8.00
WCM 162234	16.00	22.00	3.50	3.00	4.00
WCM162658	16.00	26.00	5.50	5.00	8.00
WCM 1826710	18.00	26.00	7.50	7.00	10.00
WCM 182857	18.00	28.00	5.50	5.00	7.00
WCM 1828710	18.00	28.00	7.50	7.00	10.00
WCM 203046	20.00	30.00	4.50	4.00	6.00
WCM 203058	20.00	30.00	5.50	5.00	8.00
WCM 2030710	20.00	30.00	7.50	7.00	10.00
WCM 222859	22.00	28.00	5.50	5.00	9.00
WCM 223257	22.00	32.00	5.50	5.00	7.00
WCM 2232710	22.00	32.00	7.50	7.00	10.00
WCM 233358	23.00	33.00	5.50	5.00	8.00
WCM 243257	24.00	32.00	5.50	5.00	7.00
WCM 2535710	25.00	35.00	7.50	7.00	10.00
WCM 2838710	28.00	38.00	7.50	7.00	10.00

Part Number	A Shaft Dia.	B Groove Dia.	C Groove Width	H1 Seal Heights	H2 Seal Heights
WCM 2840710	28.00	40.00	7.50	7.00	10.00
WCM 3040710	30.00	40.00	7.50	7.00	10.00
WCM 324047	32.00	40.00	4.50	4.00	7.00
WCM 324257	32.00	42.00	5.50	5.00	7.00
WCM 3242710	32.00	42.00	7.50	7.00	10.00
WCM 3245710	32.00	45.00	7.50	7.00	10.00
WCM 3545710	35.00	45.00	7.50	7.00	10.00
WCM 3547710	35.00	47.00	7.50	7.00	10.00
WCM 3646710	36.00	46.00	7.50	7.00	10.00
WCM 3848710	38.00	48.00	7.50	7.00	10.00
WCM 4050710	40.00	50.00	7.50	7.00	10.00
WCM 4252710	42.00	52.00	7.50	7.00	10.00
WCM 4555710	45.00	55.00	7.50	7.00	10.00
WCM 4560710	45.00	60.00	7.50	7.00	10.00
WCM 4860710	48.00	60.00	7.50	7.00	10.00
WCM 5060710	50.00	60.00	7.50	7.00	10.00
WCM 5262710	52.00	62.00	7.50	7.00	10.00
WCM 5565710	55.00	65.00	7.50	7.00	10.00
WCM 5666710	56.00	66.00	7.50	7.00	10.00
WCM 6070710	60.00	70.00	7.50	7.00	10.00
WCM 6375710	63.00	75.00	7.50	7.00	10.00

Wipers

METRIC SEALS

Metal Encased

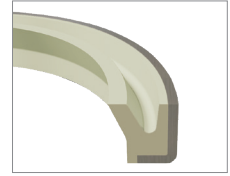


Part Number	A Shaft Dia.	B Groove Dia.	C Groove Width	H1 Seal Heights	H2 Seal Heights
WCM 6575710	65.00	75.00	7.50	7.00	10.00
WCM 6783710	67.00	83.00	7.50	7.00	10.00
WCM 7080710	70.00	80.00	7.50	7.00	10.00
WCM 7282710	72.00	82.00	7.50	7.00	10.00
WCM 7585710	75.00	85.00	7.50	7.00	10.00
WCM 7888710	78.00	88.00	7.50	7.00	10.00
WCM 8088710	80.00	88.00	7.50	7.00	10.00
WCM 8090710	80.00	90.00	7.50	7.00	10.00
WCM 8292710	82.00	92.00	7.50	7.00	10.00
WCM 8595710	85.00	95.00	7.50	7.00	10.00
WCM 90100710	90.00	100.00	7.50	7.00	10.00
WCM 95105710	95.00	105.00	7.50	7.00	10.00
WCM 100110710	100.00	110.00	7.50	7.00	10.00
WCM105115710	105.00	115.00	7.50	7.00	10.00
WCM 110120710	110.00	120.00	7.50	7.00	10.00
WCM 115125710	115.00	125.00	7.50	7.00	10.00
WCM 120130710	120.00	130.00	7.50	7.00	10.00
WCM 125140912	125.00	140.00	9.50	9.00	12.00
WCM 130145912	130.00	145.00	9.50	9.00	12.00

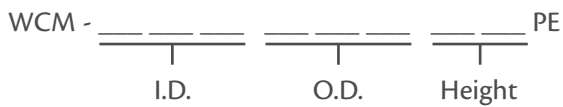
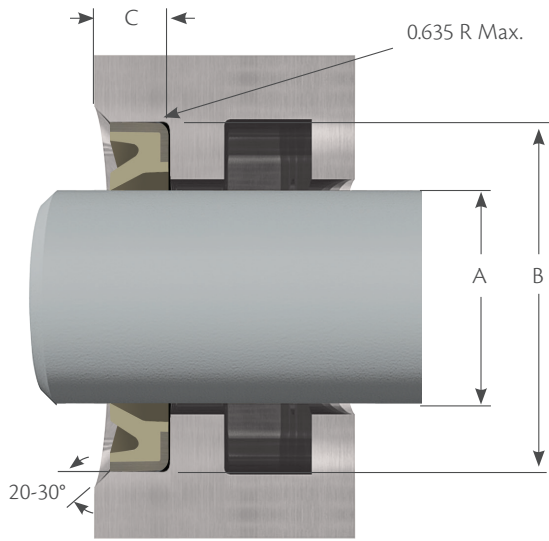
Part Number	A Shaft Dia.	B Groove Dia.	C Groove Width	H1 Seal Heights	H2 Seal Heights
WCM 135150912	135.00	150.00	9.50	9.00	12.00
WCM 140155912	140.00	155.00	9.50	9.00	12.00
WCM 150165912	150.00	165.00	9.50	9.00	12.00
WCM 160175912	160.00	175.00	9.50	9.00	12.00
WCM 170185912	170.00	185.00	9.50	9.00	12.00
WCM 1801951014	180.00	195.00	10.50	10.00	14.00
WCM 1852001014	185.00	200.00	10.50	10.00	14.00
WCM 2002201216	200.00	220.00	12.50	12.00	16.00
WCM 2102301216	210.00	230.00	12.50	12.00	16.00
WCM 2202401216	220.00	240.00	12.50	12.00	16.00
WCM 2402601216	240.00	260.00	12.50	12.00	16.00
WCM 2502701216	250.00	270.00	12.50	12.00	16.00
WCM 2702951216	270.00	295.00	12.50	12.00	16.00
WCM 2803001216	280.00	300.00	12.50	12.00	16.00
WCM 3103401622	310.00	340.00	16.50	16.00	22.00
WCM 3203401216	320.00	340.00	12.50	12.00	16.00
WCM 3603801216	360.00	380.00	12.50	12.00	16.00
WCM 3904201622	390.00	420.00	16.50	16.00	22.00
WCM 4004201216	400.00	420.00	12.50	12.00	16.00

Wipers

Metal Encased Pin Eye



Wipers



Our standard materials for a metal clad pin eye wiper are a urethane sealing element with a steel case.

Part Number	A Shaft Dia.	B Groove Dia.	C Groove Width
WCM 15215PE	15.00	21.00	5.00
WCM 16235PE	16.00	23.00	5.00
WCM 20285PE	20.00	28.00	5.00
WCM 25327PE	25.00	32.00	7.00
WCM 36467PE	36.00	46.00	7.00
WCM 45554PE	45.00	55.00	4.00
WCM 50607PE	50.00	60.00	7.00
WCM 65757PE	65.00	75.00	7.00
WCM 65806PE	65.00	80.00	6.00
WCM 65808PE	65.00	80.00	8.00
WCM 70807PE	70.00	80.00	7.00
WCM 70855PE	70.00	85.00	5.00
WCM 70857PE	70.00	85.00	7.00
WCM 70858PE	70.00	85.00	8.00
WCM 71865PE	71.00	86.00	5.00
WCM 75898PE	75.00	89.00	8.00
WCM 80907PE	80.00	90.00	7.00
WCM 80954PE	80.00	95.00	4.00
WCM 80955PE	80.00	95.00	5.00
WCM 80957PE	80.00	95.00	7.00
WCM 85955PE	85.00	95.00	5.00

Part Number	A Shaft Dia.	B Groove Dia.	C Groove Width
WCM 85957PE	85.00	95.00	7.00
WCM 901007PE	90.00	100.00	7.00
WCM 901056PE	90.00	105.00	6.00
WCM 901058PE	90.00	105.00	8.00
WCM 901107PE	90.00	110.00	7.00
WCM 901108PE	90.00	110.00	8.00
WCM 951108PE	95.00	110.00	8.00
WCM 1001107PE	100.00	110.00	7.00
WCM1001154PE	100.00	115.00	4.00
WCM1001157PE	100.00	115.00	7.00
WCM1001159PE	100.00	115.00	9.00
WCM1001208PE	100.00	120.00	8.00
WCM1101207PE	110.00	120.00	7.00
WCM1101254PE	110.00	125.00	4.00
WCM1101258PE	110.00	125.00	8.00
WCM11016010PE	110.00	160.00	10.00
WCM 1201307PE	120.00	130.00	7.00
WCM 1201357PE	120.00	135.00	7.00
WCM 1201358PE	120.00	135.00	8.00
WCM 1201408PE	120.00	140.00	8.00
WCM 14016010PE	140.00	160.00	10.00