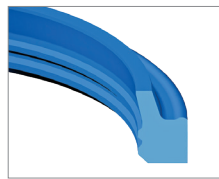
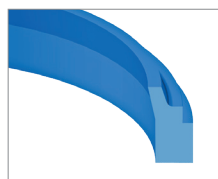


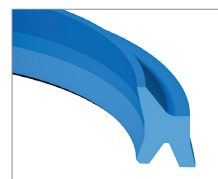
Materials	Temp. Range
Urethane	-54°C to 105°C
Nitrile	-40°C to 120°C
Hydrogenated Nitrile	-40°C to 160°C
Viton™/Fluorocarbon	-26°C to 204°C
PEEK	-70°C to 260°C
Hytrel®	-54°C to 149°C



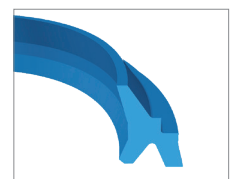
D-Style (WDM)



Stepped D-Style (WDM)



H-Style (WHM)



Stepped H-Style (WHM)



Metal Encased (WCM)



Metal Encased (WCM) Interchangeable



Metal Encased (WCM) Pin Eye (PE)



Metal Encased H-Style (WCM)

## Product Description

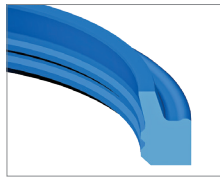
Wipers are primarily designed to stop contaminants from entering a cylinder on the rod, however, they can also act as a secondary rod seal. If contaminants were to enter a cylinder, it could lead to damage of the rod and/or other sealing components. A properly selected wiper could help reduce the need for unscheduled maintenance and even increase the time between maintenance cycles.

It is important to select the correct style and material for an application. When selecting the material for a wiper, remember to consider the required abrasion resistance, elasticity, resilience, and fluid compatibility.

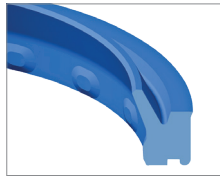
# Wipers

METRIC SEALS

## D-Style



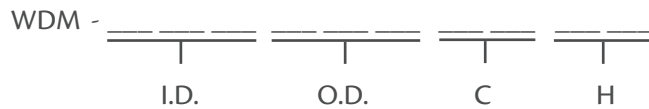
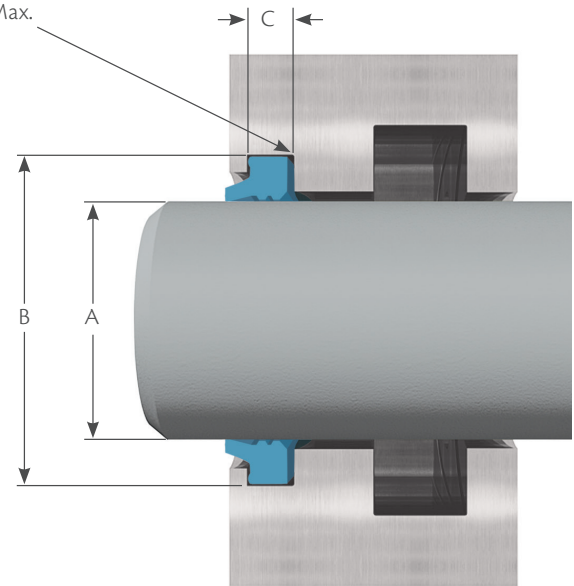
Primary Design



Interchangeable Design



0.635 R Max.

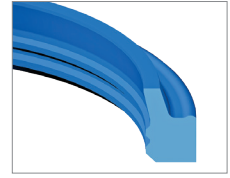


Our standard material for a D-Style wiper is urethane.

Part Number	A Shaft Dia.	B Groove Dia.	C Groove Width	H Seal Height
WDM 1622355	16.00	22.00	3.50	5.00
WDM 162457	16.00	24.00	5.00	7.00
WDM 202857	20.00	28.00	5.00	7.00
WDM 223057	22.00	30.00	5.00	7.00
WDM 253357	25.00	33.00	5.00	7.00
WDM 263457	26.00	34.00	5.00	7.00
WDM 283657	28.00	36.00	5.00	7.00
WDM 303857	30.00	38.00	5.00	7.00
WDM 324057	32.00	40.00	5.00	7.00
WDM 354357	35.00	43.00	5.00	7.00
WDM 364457	36.00	44.00	5.00	7.00
WDM 384657	38.00	46.00	5.00	7.00
WDM 404857	40.00	48.00	5.00	7.00
WDM 425057	42.00	50.00	5.00	7.00
WDM 455357	45.00	53.00	5.00	7.00
WDM 455557	45.00	55.00	5.00	7.00
WDM 475557	47.00	55.00	5.00	7.00
WDM 485657	48.00	56.00	5.00	7.00
WDM 505857	50.00	58.00	5.00	7.00
WDM 506057	50.00	60.00	5.00	7.00

Part Number	A Shaft Dia.	B Groove Dia.	C Groove Width	H Seal Height
WDM 526057	52.00	60.00	5.00	7.00
WDM 556357	55.00	63.00	5.00	7.00
WDM 556557	55.00	65.00	5.00	7.00
WDM 566657	56.00	66.00	5.00	7.00
WDM 606857	60.00	68.00	5.00	7.00
WDM 607057	60.00	70.00	5.00	7.00
WDM 616957	61.00	69.00	5.00	7.00
WDM 627057	62.00	70.00	5.00	7.00
WDM 637157	63.00	71.00	5.00	7.00
WDM 637357	63.00	73.00	5.00	7.00
WDM 637357	63.00	73.00	5.00	7.00
WDM 657357	65.00	73.00	5.00	7.00
WDM 657557	65.00	75.00	5.00	7.00
WDM 707857	70.00	78.00	5.00	7.00
WDM 708057	70.00	80.00	5.00	7.00
WDM 7082712	70.00	82.00	7.00	12.00
WDM 758357	75.00	83.00	5.00	7.00
WDM 7587712	75.00	87.00	7.00	12.00
WDM 768457	76.00	84.00	5.00	7.00
WDM 808857	80.00	88.00	5.00	7.00

*D-Style*



Wipers

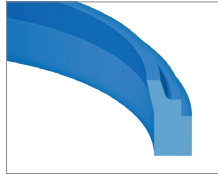
Part Number	A Shaft Dia.	B Groove Dia.	C Groove Width	H Seal Height
WDM 8092712	80.00	92.00	7.00	12.00
WDM 829057	82.00	90.00	5.00	7.00
WDM 859357	85.00	93.00	5.00	7.00
WDM 859557	85.00	95.00	5.00	7.00
WDM 8597712	85.00	97.00	7.00	12.00
WDM 889657	88.00	96.00	5.00	7.00
WDM 909857	90.00	98.00	5.00	7.00
WDM 9010057	90.00	100.00	5.00	7.00
WDM 90102712	90.00	102.00	7.00	12.00
WDM 95107712	95.00	107.00	7.00	12.00
WDM 10010857	100.00	108.00	5.00	7.00
WDM 100112712	100.00	112.00	7.00	12.00
WDM 10511357	105.00	113.00	5.00	7.00
WDM 105117712	105.00	117.00	7.00	12.00
WDM 11011857	110.00	118.00	5.00	7.00
WDM 110122712	110.00	122.00	7.00	12.00
WDM 115127712	115.00	127.00	7.00	12.00
WDM 12012857	120.00	128.00	5.00	7.00
WDM 12013057	120.00	130.00	5.00	7.00
WDM 120132712	120.00	132.00	7.00	12.00

Part Number	A Shaft Dia.	B Groove Dia.	C Groove Width	H Seal Height
WDM 125137712	125.00	137.00	7.00	12.00
WDM 1251401016	125.00	140.00	10.00	16.00
WDM 12814057	128.00	140.00	5.00	7.00
WDM 130142712	130.00	142.00	7.00	12.00
WDM 13514357	135.00	143.00	5.00	7.00
WDM 135147712	135.00	147.00	7.00	12.00
WDM 14014857	140.00	148.00	5.00	7.00
WDM 1401551016	140.00	155.00	10.00	16.00
WDM 15015857	150.00	158.00	5.00	7.00
WDM 150162712	150.00	162.00	7.00	12.00
WDM 150165712	150.00	165.00	7.00	12.00
WDM 1501651016	150.00	165.00	10.00	16.00
WDM 155167712	155.00	167.00	7.00	12.00
WDM 1601751016	160.00	175.00	10.00	16.00
WDM 1701851016	170.00	185.00	10.00	16.00
WDM 1751901016	175.00	190.00	10.00	16.00
WDM 1801951016	180.00	195.00	10.00	16.00
WDM 1802001018	180.00	200.00	10.00	18.00
WDM 1902101016	190.00	210.00	10.00	16.00
WDM 2002201018	200.00	220.00	10.00	18.00

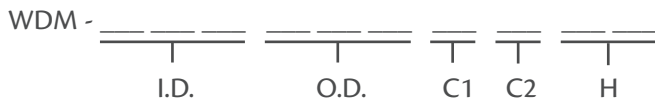
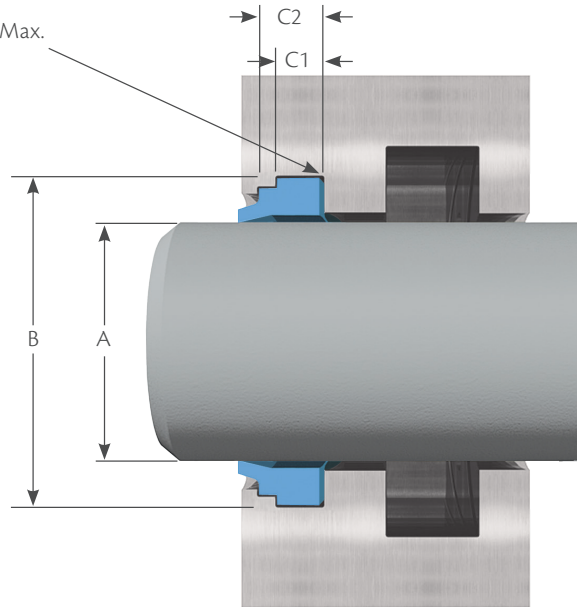
# Wipers

METRIC SEALS

## Stepped D-Style



0.635 R Max.



Our standard material for a Stepped D-Style wiper is urethane.

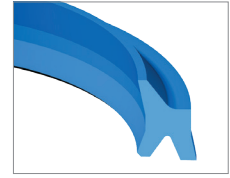
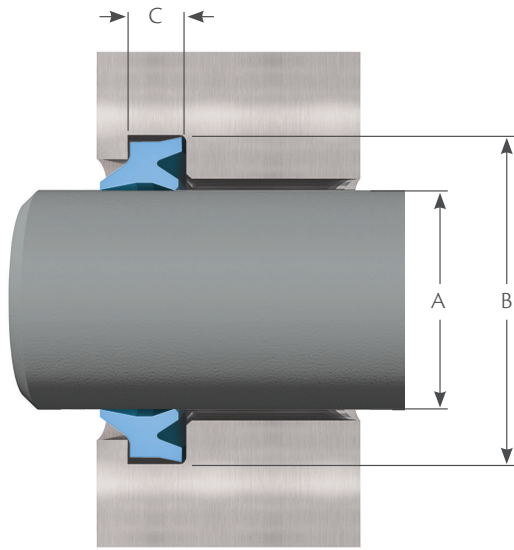
Part Number	A Shaft Dia.	B Groove Dia.	C1 Groove Widths	C2 Groove Widths	H Seal Height
WDM 816457	8.00	16.00	4.00	5.00	7.00
WDM 1018457	10.00	18.00	4.00	5.00	7.00
WDM 1220457	12.00	20.00	4.00	5.00	7.00
WDM 1624457	16.00	24.00	4.00	5.00	7.00
WDM 1826457	18.00	26.00	4.00	5.00	7.00
WDM 2028457	20.00	28.00	4.00	5.00	7.00
WDM 2230457	22.00	30.00	4.00	5.00	7.00
WDM 2533457	25.00	33.00	4.00	5.00	7.00
WDM 2836457	28.00	36.00	4.00	5.00	7.00
WDM 3038457	30.00	38.00	4.00	5.00	7.00
WDM 3240457	32.00	40.00	4.00	5.00	7.00
WDM 3543457	35.00	43.00	4.00	5.00	7.00
WDM 3644457	36.00	44.00	4.00	5.00	7.00
WDM 4048457	40.00	48.00	4.00	5.00	7.00
WDM 4250457	42.00	50.00	4.00	5.00	7.00
WDM 4452457	44.00	52.00	4.00	5.00	7.00
WDM 4553457	45.00	53.00	4.00	5.00	7.00
WDM 4856457	48.00	56.00	4.00	5.00	7.00
WDM 5058457	50.00	58.00	4.00	5.00	7.00
WDM 5563457	55.00	63.00	4.00	5.00	7.00
WDM 5664457	56.00	64.00	4.00	5.00	7.00

Part Number	A Shaft Dia.	B Groove Dia.	C1 Groove Widths	C2 Groove Widths	H Seal Height
WDM 6068457	60.00	68.00	4.00	5.00	7.00
WDM 6270457	62.00	70.00	4.00	5.00	7.00
WDM 6371457	63.00	71.00	4.00	5.00	7.00
WDM 6573457	65.00	73.00	4.00	5.00	7.00
WDM 7078457	70.00	78.00	4.00	5.00	7.00
WDM 7583457	75.00	83.00	4.00	5.00	7.00
WDM 8088457	80.00	88.00	4.00	5.00	7.00
WDM 8593457	85.00	93.00	4.00	5.00	7.00
WDM 9098457	90.00	98.00	4.00	5.00	7.00
WDM 100108457	100.00	108.00	4.00	5.00	7.00
WDM 110122457	110.00	122.00	4.00	5.00	7.00
WDM 11012255710	110.00	122.00	5.50	7.00	10.00
WDM 11512755710	115.00	127.00	5.50	7.00	10.00
WDM 125137457	125.00	137.00	4.00	5.00	7.00
WDM 12513755710	125.00	137.00	5.50	7.00	10.00
WDM 14015255710	140.00	152.00	5.50	7.00	10.00
WDM 160172457	160.00	172.00	4.00	5.00	7.00
WDM 16017255710	160.00	172.00	5.50	7.00	10.00
WDM 16517755710	165.00	177.00	5.50	7.00	10.00
WDM 18019255710	180.00	192.00	5.50	7.00	10.00
WDM 5664457	56.00	64.00	4.00	5.00	7.00

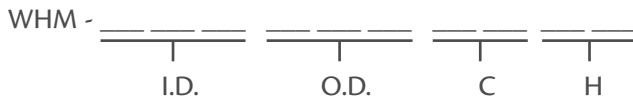
Additional sizes and styles are available upon request.

# Wipers

## H-Style



Wipers



Our standard material for a H-Style wiper is urethane.

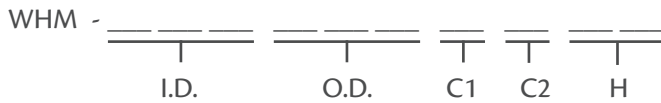
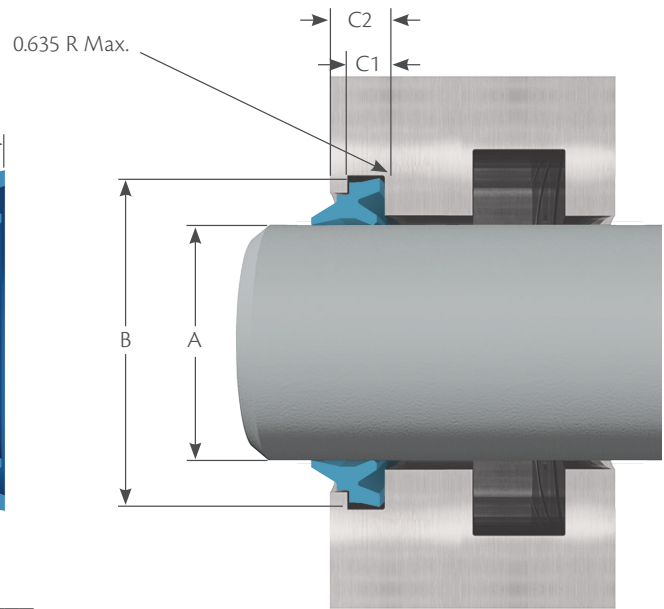
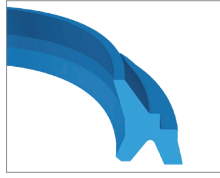
Part Number	A Shaft Dia.	B Groove Dia.	C Groove Width	H Seal Height
WHM 12206688	12.00	20.00	6.60	8.80
WHM 182657	18.00	26.00	5.00	7.00
WHM 1929565	19.00	29.00	5.00	6.50
WHM 2026364	20.00	26.00	3.60	4.00
WHM 202645	20.00	26.00	4.00	5.00
WHM 2028456	20.00	28.00	4.50	6.00
WHM 2230456	22.00	30.00	4.50	6.00
WHM 223057	22.00	30.00	5.00	7.00
WHM 2533456	25.00	33.00	4.50	6.00
WHM 3038565	30.00	38.00	5.00	6.50
WHM 3240565	32.00	40.00	5.00	6.50
WHM 3543565	35.00	43.00	5.00	6.50
WHM 3644565	36.00	44.00	5.00	6.50
WHM 384657	38.00	46.00	5.00	7.00
WHM 404857	40.00	48.00	5.00	7.00
WHM 4050565	40.00	50.00	5.00	6.50
WHM 455357	45.00	53.00	5.00	7.00

Part Number	A Shaft Dia.	B Groove Dia.	C Groove Width	H Seal Height
WHM 505857	50.00	58.00	5.00	7.00
WHM 556357	55.00	63.00	5.00	7.00
WHM 56665585	56.00	66.00	5.50	8.50
WHM 606857	60.00	68.00	5.00	7.00
WHM 637157	63.00	71.00	5.00	7.00
WHM 657357	65.00	73.00	5.00	7.00
WHM 708068	70.00	80.00	6.00	8.00
WHM 758568	75.00	85.00	6.00	8.00
WHM 859568	85.00	95.00	6.00	8.00
WHM 9510568	95.00	105.00	6.00	8.00
WHM 10011068	100.00	110.00	6.00	8.00
WHM 132145795	132.00	145.00	7.00	9.50
WHM 2002201018	200.00	220.00	10.00	18.00
WHM 2202401018	220.00	240.00	10.00	18.00
WHM 3003201013	300.00	320.00	10.00	13.00
WHM 333601827	330.00	360.00	18.00	27.00

# Wipers

METRIC SEALS

## Stepped H-Style



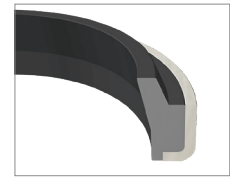
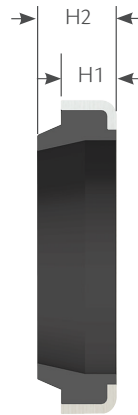
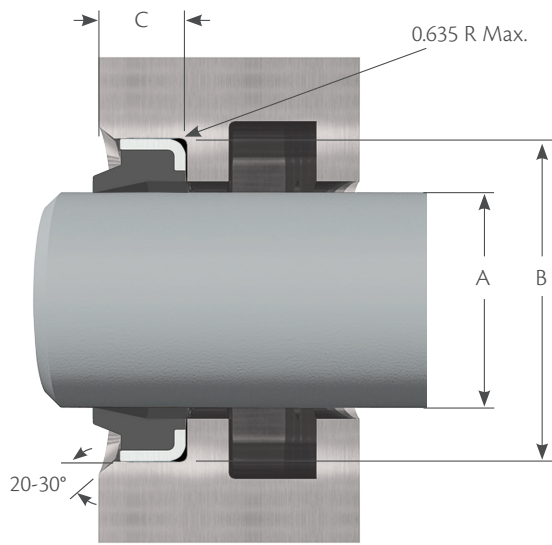
Our standard material for a Stepped H-Style wipers is urethane.

Part Number	A Shaft Dia.	B Groove Dia.	C1 Groove Widths	C2 Groove Widths	H Seal Height
WHM 1018468	10.00	18.00	4.00	6.00	8.00
WHM 1220468	12.00	20.00	4.00	6.00	8.00
WHM 1220468	12.00	20.00	4.00	6.00	8.00
WHM 1422468	14.00	22.00	4.00	6.00	8.00
WHM 1523468	15.00	23.00	4.00	6.00	8.00
WHM 1624468	16.00	24.00	4.00	6.00	8.00
WHM 1826468	18.00	26.00	4.00	6.00	8.00
WHM 2028468	20.00	28.00	4.00	6.00	8.00
WHM 2230468	22.00	30.00	4.00	6.00	8.00
WHM 2533468	25.00	33.00	4.00	6.00	8.00
WHM 2836468	28.00	36.00	4.00	6.00	8.00
WHM 3038468	30.00	38.00	4.00	6.00	8.00
WHM 3240468	32.00	40.00	4.00	6.00	8.00
WHM 3543468	35.00	43.00	4.00	6.00	8.00
WHM 3644468	36.00	44.00	4.00	6.00	8.00
WHM 4048468	40.00	48.00	4.00	6.00	8.00
WHM 4250468	42.00	50.00	4.00	6.00	8.00
WHM 4553468	45.00	53.00	4.00	6.00	8.00
WHM 5058468	50.00	58.00	4.00	6.00	8.00
WHM 5563468	55.00	63.00	4.00	6.00	8.00
WHM 5664468	56.00	64.00	4.00	6.00	8.00
WHM 6068468	60.00	68.00	4.00	6.00	8.00

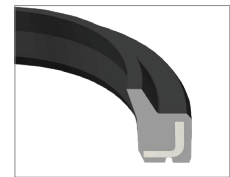
Part Number	A Shaft Dia.	B Groove Dia.	C1 Groove Widths	C2 Groove Widths	H Seal Height
WHM 6371468	63.00	71.00	4.00	6.00	8.00
WHM 6573468	65.00	73.00	4.00	6.00	8.00
WHM 7078468	70.00	78.00	4.00	6.00	8.00
WHM 7583468	75.00	83.00	4.00	6.00	8.00
WHM 8088468	80.00	88.00	4.00	6.00	8.00
WHM 8593468	85.00	93.00	4.00	6.00	8.00
WHM 9098468	90.00	98.00	4.00	6.00	8.00
WHM 100108468	100.00	108.00	4.00	6.00	8.00
WHM 105117558211	105.00	117.00	5.50	8.20	11.00
WHM 110122558211	110.00	122.00	5.50	8.20	11.00
WHM 115127558211	115.00	127.00	5.50	8.20	11.00
WHM 120132558211	120.00	132.00	5.50	8.20	11.00
WHM 125137558211	125.00	137.00	5.50	8.20	11.00
WHM 130142558211	130.00	142.00	5.50	8.20	11.00
WHM 135147558211	135.00	147.00	5.50	8.20	11.00
WHM 140152558211	140.00	152.00	5.50	8.20	11.00
WHM 150162558211	150.00	162.00	5.50	8.20	11.00
WHM 160172558211	160.00	172.00	5.50	8.20	11.00
WHM 170182558211	170.00	182.00	5.50	8.20	11.00
WHM 180192558211	180.00	192.00	5.50	8.20	11.00
WHM 200212558211	200.00	212.00	5.50	8.20	11.00

# Wipers

## Metal Encased

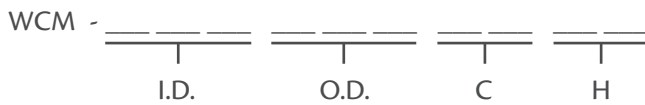


Primary Design



Interchangeable Design

Wipers



Our standard materials of a metal clad wiper are a nitrile sealing element with a steel case.

Part Number	A Shaft Dia.	B Groove Dia.	C Groove Width	H1 Seal Heights	H2 Seal Heights
WCM 1016345	10.00	16.00	3.50	3.00	4.50
WCM 102058	10.00	20.00	5.50	5.00	8.00
WCM 122046	12.00	20.00	4.50	4.00	6.00
WCM 1420355	14.00	20.00	4.00	3.50	5.00
WCM 142234	14.00	22.00	3.50	3.00	4.00
WCM 152558	15.00	25.00	5.050	5.00	8.00
WCM 162234	16.00	22.00	3.50	3.00	4.00
WCM162658	16.00	26.00	5.50	5.00	8.00
WCM 1826710	18.00	26.00	7.50	7.00	10.00
WCM 182857	18.00	28.00	5.50	5.00	7.00
WCM 1828710	18.00	28.00	7.50	7.00	10.00
WCM 203046	20.00	30.00	4.50	4.00	6.00
WCM 203058	20.00	30.00	5.50	5.00	8.00
WCM 2030710	20.00	30.00	7.50	7.00	10.00
WCM 222859	22.00	28.00	5.50	5.00	9.00
WCM 223257	22.00	32.00	5.50	5.00	7.00
WCM 2232710	22.00	32.00	7.50	7.00	10.00
WCM 233358	23.00	33.00	5.50	5.00	8.00
WCM 243257	24.00	32.00	5.50	5.00	7.00
WCM 2535710	25.00	35.00	7.50	7.00	10.00
WCM 2838710	28.00	38.00	7.50	7.00	10.00

Part Number	A Shaft Dia.	B Groove Dia.	C Groove Width	H1 Seal Heights	H2 Seal Heights
WCM 2840710	28.00	40.00	7.50	7.00	10.00
WCM 3040710	30.00	40.00	7.50	7.00	10.00
WCM 324047	32.00	40.00	4.50	4.00	7.00
WCM 324257	32.00	42.00	5.50	5.00	7.00
WCM 3242710	32.00	42.00	7.50	7.00	10.00
WCM 3245710	32.00	45.00	7.50	7.00	10.00
WCM 3545710	35.00	45.00	7.50	7.00	10.00
WCM 3547710	35.00	47.00	7.50	7.00	10.00
WCM 3646710	36.00	46.00	7.50	7.00	10.00
WCM 3848710	38.00	48.00	7.50	7.00	10.00
WCM 4050710	40.00	50.00	7.50	7.00	10.00
WCM 4252710	42.00	52.00	7.50	7.00	10.00
WCM 4555710	45.00	55.00	7.50	7.00	10.00
WCM 4560710	45.00	60.00	7.50	7.00	10.00
WCM 4860710	48.00	60.00	7.50	7.00	10.00
WCM 5060710	50.00	60.00	7.50	7.00	10.00
WCM 5262710	52.00	62.00	7.50	7.00	10.00
WCM 5565710	55.00	65.00	7.50	7.00	10.00
WCM 5666710	56.00	66.00	7.50	7.00	10.00
WCM 6070710	60.00	70.00	7.50	7.00	10.00
WCM 6375710	63.00	75.00	7.50	7.00	10.00

# Wipers

METRIC SEALS

## Metal Encased



Wipers

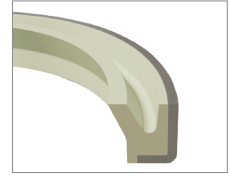
Part Number	A Shaft Dia.	B Groove Dia.	C Groove Width	H1 Seal Heights	H2
WCM 6575710	65.00	75.00	7.50	7.00	10.00
WCM 6783710	67.00	83.00	7.50	7.00	10.00
WCM 7080710	70.00	80.00	7.50	7.00	10.00
WCM 7282710	72.00	82.00	7.50	7.00	10.00
WCM 7585710	75.00	85.00	7.50	7.00	10.00
WCM 7888710	78.00	88.00	7.50	7.00	10.00
WCM 8088710	80.00	88.00	7.50	7.00	10.00
WCM 8090710	80.00	90.00	7.50	7.00	10.00
WCM 8292710	82.00	92.00	7.50	7.00	10.00
WCM 8595710	85.00	95.00	7.50	7.00	10.00
WCM 90100710	90.00	100.00	7.50	7.00	10.00
WCM 95105710	95.00	105.00	7.50	7.00	10.00
WCM 100110710	100.00	110.00	7.50	7.00	10.00
WCM105115710	105.00	115.00	7.50	7.00	10.00
WCM 110120710	110.00	120.00	7.50	7.00	10.00
WCM 115125710	115.00	125.00	7.50	7.00	10.00
WCM 120130710	120.00	130.00	7.50	7.00	10.00
WCM 125140912	125.00	140.00	9.50	9.00	12.00
WCM 130145912	130.00	145.00	9.50	9.00	12.00

Part Number	A Shaft Dia.	B Groove Dia.	C Groove Width	H1 Seal Heights	H2
WCM 135150912	135.00	150.00	9.50	9.00	12.00
WCM 140155912	140.00	155.00	9.50	9.00	12.00
WCM 150165912	150.00	165.00	9.50	9.00	12.00
WCM 160175912	160.00	175.00	9.50	9.00	12.00
WCM 170185912	170.00	185.00	9.50	9.00	12.00
WCM 1801951014	180.00	195.00	10.50	10.00	14.00
WCM 1852001014	185.00	200.00	10.50	10.00	14.00
WCM 2002201216	200.00	220.00	12.50	12.00	16.00
WCM 2102301216	210.00	230.00	12.50	12.00	16.00
WCM 2202401216	220.00	240.00	12.50	12.00	16.00
WCM 2402601216	240.00	260.00	12.50	12.00	16.00
WCM 2502701216	250.00	270.00	12.50	12.00	16.00
WCM 2702951216	270.00	295.00	12.50	12.00	16.00
WCM 2803001216	280.00	300.00	12.50	12.00	16.00
WCM 3103401622	310.00	340.00	16.50	16.00	22.00
WCM 3203401216	320.00	340.00	12.50	12.00	16.00
WCM 3603801216	360.00	380.00	12.50	12.00	16.00
WCM 3904201622	390.00	420.00	16.50	16.00	22.00
WCM 4004201216	400.00	420.00	12.50	12.00	16.00

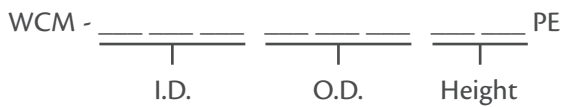
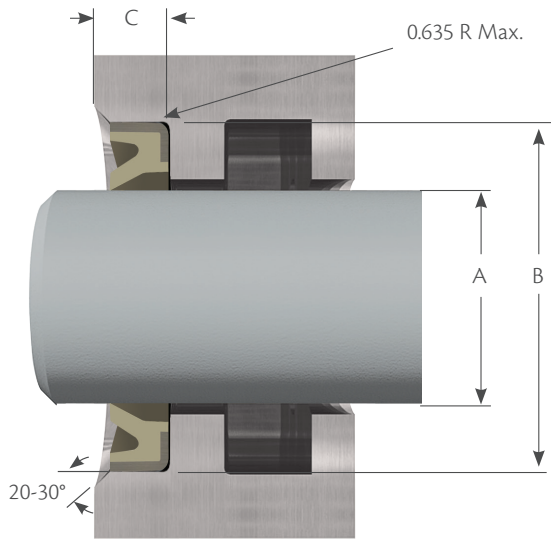


# Wipers

## Metal Encased Pin Eye



Wipers



Our standard materials for a metal clad pin eye wiper are a urethane sealing element with a steel case.

Part Number	A Shaft Dia.	B Groove Dia.	C Groove Width
WCM 15215PE	15.00	21.00	5.00
WCM 16235PE	16.00	23.00	5.00
WCM 20285PE	20.00	28.00	5.00
WCM 25327PE	25.00	32.00	7.00
WCM 36467PE	36.00	46.00	7.00
WCM 45554PE	45.00	55.00	4.00
WCM 50607PE	50.00	60.00	7.00
WCM 65757PE	65.00	75.00	7.00
WCM 65806PE	65.00	80.00	6.00
WCM 65808PE	65.00	80.00	8.00
WCM 70807PE	70.00	80.00	7.00
WCM 70855PE	70.00	85.00	5.00
WCM 70857PE	70.00	85.00	7.00
WCM 70858PE	70.00	85.00	8.00
WCM 71865PE	71.00	86.00	5.00
WCM 75898PE	75.00	89.00	8.00
WCM 80907PE	80.00	90.00	7.00
WCM 80954PE	80.00	95.00	4.00
WCM 80955PE	80.00	95.00	5.00
WCM 80957PE	80.00	95.00	7.00
WCM 85955PE	85.00	95.00	5.00

Part Number	A Shaft Dia.	B Groove Dia.	C Groove Width
WCM 85957PE	85.00	95.00	7.00
WCM 901007PE	90.00	100.00	7.00
WCM 901056PE	90.00	105.00	6.00
WCM 901058PE	90.00	105.00	8.00
WCM 901107PE	90.00	110.00	7.00
WCM 901108PE	90.00	110.00	8.00
WCM 951108PE	95.00	110.00	8.00
WCM 1001107PE	100.00	110.00	7.00
WCM1001154PE	100.00	115.00	4.00
WCM1001157PE	100.00	115.00	7.00
WCM1001159PE	100.00	115.00	9.00
WCM1001208PE	100.00	120.00	8.00
WCM1101207PE	110.00	120.00	7.00
WCM1101254PE	110.00	125.00	4.00
WCM1101258PE	110.00	125.00	8.00
WCM11016010PE	110.00	160.00	10.00
WCM 1201307PE	120.00	130.00	7.00
WCM 1201357PE	120.00	135.00	7.00
WCM 1201358PE	120.00	135.00	8.00
WCM 1201408PE	120.00	140.00	8.00
WCM 14016010PE	140.00	160.00	10.00