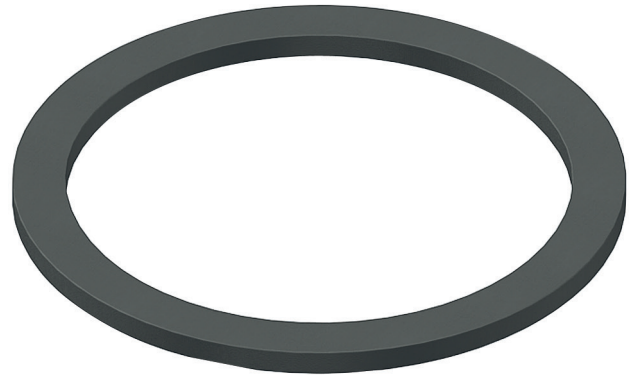
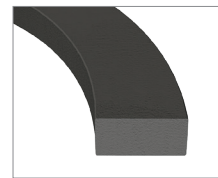


Pressure Inverting Pedestal

Materials	Temp. Range		
Urethane	-54°C	to	105°C
Hytrel®	-54°C	to	149°C
Nylon	-30°C	to	93°C
Hydrogenated Nitrile	-40°C	to	160°C
Nitrile	-40°C	to	120°C
Viton™/Fluorocarbon	-26°C	to	204°C
PTFE	-268 °C	to	232°C



LIP Rings



LIP



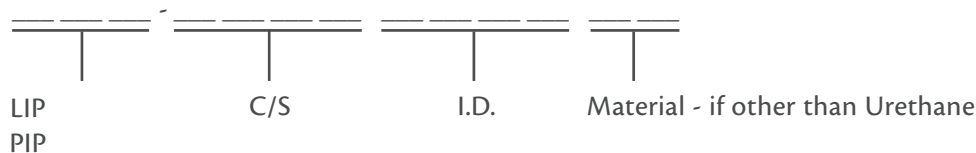
PIP

Product Description

Pressure inverting pedestals are designed to convert a loaded U-cup into a bi-directional seal for high pressure applications. The LIP profile is rectangular in shape which makes it compatible with both quad loaded and O-ring loaded U-cups. The PIP ring design is only functional in conjunction with an O-ring loaded U-cup. For gland dimension and design information, contact a Hi-Tech Seals representative.

PTFE back-up rings can function as a LIP ring for beveled loaded U-cups in low to medium pressure applications. Consult a Hi-Tech Seals representative before substituting.

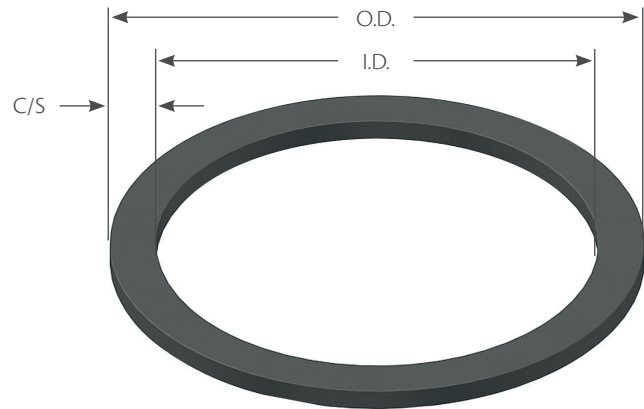
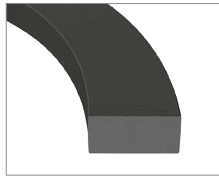
Part Numbers:



Example: PIP 2500 3000 - Urethane PIP Ring, 1/4" C/S, 3" I.D., 3 - 1/2" O.D.

LIP Rings

IMPERIAL SEALS



PIP style rings are available in the below sizes and are represented with the prefix PIP.

Part Number	I.D.	O.D.	C/S
LIP 12500437	7/16	11/16	1/8
LIP 12500500	1/2	3/4	1/8
LIP 12500750	3/4	1	1/8
LIP 12501000	1	1 - 1/4	1/8
LIP 12501125	1 - 1/8	1 - 3/8	1/8
LIP 12501250	1 - 1/4	1 - 1/2	1/8
LIP 12501500	1 - 1/2	1 - 3/4	1/8
LIP 12501750	1 - 3/4	2	1/8
LIP 12502000	2	2 - 1/4	1/8
LIP 18700625	5/8	1	3/16
LIP 18700750	3/4	1 - 1/8	3/16
LIP 18700875	7/8	1 - 1/4	3/16
LIP 18700937	15/16	1 - 5/16	3/16
LIP 18701000	1	1 - 3/8	3/16
LIP 18701125	1 - 1/8	1 - 1/2	3/16
LIP 18701250	1 - 1/4	1 - 5/8	3/16
LIP 18701375	1 - 3/8	1 - 3/4	3/16
LIP 18701500	1 - 1/2	1 - 7/8	3/16
LIP 18701625	1 - 5/8	2	3/16
LIP 18701750	1 - 3/4	2 - 1/8	3/16
LIP 18702000	2	2 - 3/8	3/16
LIP 18702375	2 - 3/8	2 - 3/4	3/16
LIP 18702500	2 - 1/2	2 - 7/8	3/16
LIP 18702625	2 - 5/8	3	3/16
LIP 18702750	2 - 3/4	3 - 1/8	3/16
LIP 18703000	3	3 - 3/8	3/16
LIP 18703125	3 - 1/8	3 - 1/2	3/16
LIP 18703250	3 - 1/4	3 - 5/8	3/16
LIP 18703375	3 - 3/8	3 - 3/4	3/16
LIP 18703625	3 - 5/8	4	3/16
LIP 18704000	4	4 - 3/8	3/16
LIP 25001000	1	1 - 1/2	1/4
LIP 25001250	1 - 1/4	1 - 3/4	1/4
LIP 25001500	1 - 1/2	2	1/4
LIP 25001750	1 - 3/4	2 - 1/4	1/4

Part Number	I.D.	O.D.	C/S
LIP 25001937	1 - 15/16	2 - 7/16	1/4
LIP 25002000	2	2 - 1/2	1/4
LIP 25002250	2 - 1/4	2 - 3/4	1/4
LIP 25002500	2 - 1/2	3	1/4
LIP 25002750	2 - 3/4	3 - 1/4	1/4
LIP 25002875	2 - 7/8	3 - 3/8	1/4
LIP 25003000	3	3 - 1/2	1/4
LIP 25003250	3 - 1/4	3 - 3/4	1/4
LIP 25003500	3 - 1/2	4	1/4
LIP 25003750	3 - 3/4	4 - 1/4	1/4
LIP 25004000	4	4 - 1/2	1/4
LIP 25004250	4 - 1/4	4 - 3/4	1/4
LIP 25004500	4 - 1/2	5	1/4
LIP 25005000	5	5 - 1/2	1/4
LIP 25005250	5 - 1/4	5 - 3/4	1/4
LIP 25005500	5 - 1/2	6	1/4
LIP 25006000	6	6 - 1/2	1/4
LIP 25006500	6 - 1/2	7	1/4
LIP 25007000	7	7 - 1/2	1/4
LIP 31201875	1 - 7/8	2 - 1/2	5/16
LIP 31202375	2 - 3/8	3	5/16
LIP 31203375	3 - 3/8	4	5/16
LIP 31204375	4 - 3/8	5	5/16
LIP 31204500	4 - 1/2	5 - 1/8	5/16
LIP 31205500	5 - 1/2	6 - 1/8	5/16
LIP 31206375	6 - 3/8	7	5/16
LIP 37502000	2	2 - 3/4	3/8
LIP 37502250	2 - 1/4	3	3/8
LIP 37502500	2 - 1/2	3 - 1/4	3/8
LIP 37502750	2 - 3/4	3 - 1/2	3/8
LIP 37503250	3 - 1/4	4	3/8
LIP 37503500	3 - 1/2	4 - 1/4	3/8
LIP 37503750	3 - 3/4	4 - 1/2	3/8
LIP 37504000	4	4 - 3/4	3/8
LIP 37504250	4 - 1/4	5	3/8

Part Number	I.D.	O.D.	C/S
LIP 37504750	4 - 3/4	5 - 1/2	3/8
LIP 37505250	5 - 1/4	6	3/8
LIP 37505500	5 - 1/2	6 - 1/4	3/8
LIP 37505750	5 - 3/4	6 - 1/2	3/8
LIP 37506250	6 - 1/4	7	3/8
LIP 37506750	6 - 3/4	7 - 1/2	3/8
LIP 37507250	7 - 1/4	8	3/8
LIP 37508250	8 - 1/4	9	3/8
LIP 37508500	8 - 1/2	9 - 1/4	3/8
LIP 37508750	8 - 3/4	9 - 1/2	3/8
LIP 375014250	14 - 1/4	15	3/8
LIP 375019250	19 - 1/4	20	3/8
LIP 50003500	3 - 1/2	4 - 1/2	1/2
LIP 50004000	4	5	1/2
LIP 50005000	5	6	1/2
LIP 50005250	5 - 1/4	6 - 1/4	1/2
LIP 50006000	6	7	1/2
LIP 50007000	7	8	1/2
LIP 50008000	8	9	1/2
LIP 50009000	9	10	1/2
LIP 50009500	9 - 1/2	10 - 1/2	1/2
LIP 500011000	11	12	1/2
LIP 500011875	11 - 7/8	12 - 7/8	1/2
LIP 500014000	14	15	1/2
LIP 500015000	15	16	1/2
LIP 500019000	19	20	1/2
LIP 500020000	20	21	1/2
LIP 500020250	20 - 1/4	21 - 1/4	1/2
LIP 500021000	21	22	1/2
LIP 500024500	24 - 1/2	25 - 1/2	1/2
LIP 500026500	26 - 1/2	27 - 1/2	1/2
LIP 62507000	7	8 - 1/4	5/8
LIP 62507250	7 - 1/4	8 - 1/2	5/8
LIP 62507500	7 - 1/2	8 - 3/4	5/8