

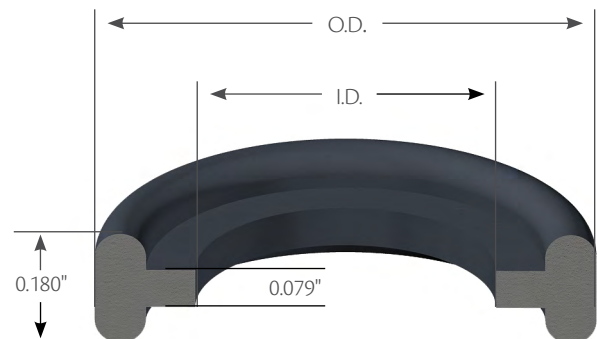
Part Number	Clamp Size	ID	OD
SAN 050040MPU	1/2	3/8	1
SAN 075040MPU	3/4	5/8	1
SAN 100040MPU	1	7/8	2
SAN 150040MPU	1 1/2	1 3/8	2
SAN 200040MPU	2	1 7/8	2 1/2
SAN 250040MPU	2 1/2	2 3/8	3
SAN 300040MPU	3	2 7/8	3 1/2
SAN 400040MPU	4	3 7/8	4 1/2
SAN 500040MPU	5	4 3/4	5 1/2
SAN 600040MOU	6	5 3/4	6 1/2
SAN 800040MOU	8	7 3/4	8 1/2
SAN 1000040MOU	10	9 11/16	10 1/2
SAN 120040MOU	12	11 11/16	12 1/2

Approximate dimensions of standard clamp style gasket listed above.

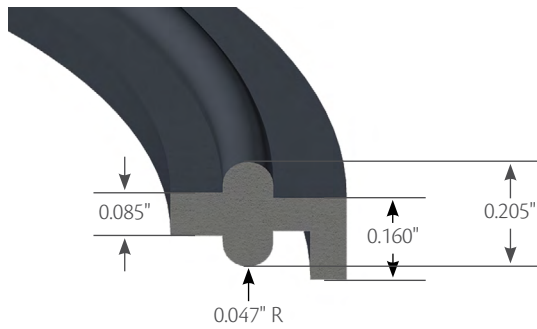
Mini Clamp Gaskets

Part Number	Clamp Size	ID	OD
SAN 050042MPU	1/2	3/8	1
SAN 075042MPU	3/4	5/8	1

Approximate dimensions of mini clamp style gasket listed above.

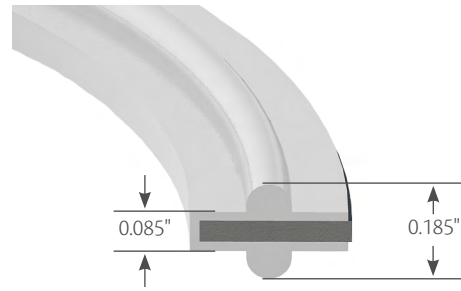
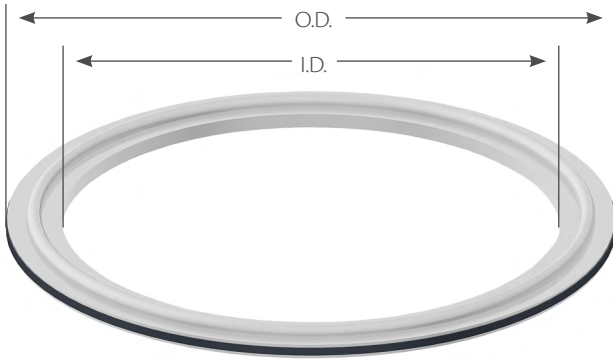


Flanged Clamp Gaskets



Part Number	Clamp Size	ID	OD
SAN 100040MPFU	1	7/8	2
SAN 150040MPFU	1 1/2	1 3/8	2
SAN 200040MPFU	2	1 7/8	2 1/2
SAN 250040MPFU	2 1/2	2 3/8	3
SAN 300040MPFU	3	2 7/8	3 1/2
SAN 400040MPFU	4	3 7/8	4 1/2
SAN 500040MPFU	5	4 3/4	5 1/2
SAN 600040MOFU	6	5 3/4	6 1/2
SAN 800040MOFU	8	7 3/4	8 1/2
SAN 1000040MOFU	10	9 11/16	10 1/2
SAN 1200040MOFU	12	11 11/16	12 1/2

Approximate dimensions of flanged clamp style gasket listed above.



Filler thickness: 3/64"

Standard filler material is EPDM. It is also available in Viton™.

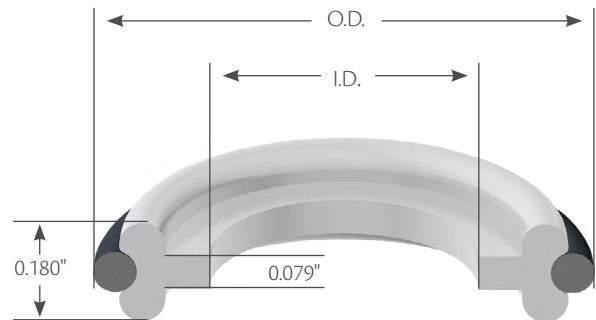
Part Number	Clamp Size	ID	OD
SAN 1000A40MPGR	1	7/8	2
SAN 1500A40MPGR	1 1/2	1 3/8	2
SAN 2000A40MPGR	2	1 7/8	2 1/2
SAN 2500A40MPGR	2 1/2	2 3/8	3
SAN 3000A40MPGR	3	2 7/8	3 1/2
SAN 4000A40MPGR	4	3 7/8	4 1/2
SAN 6000A40MPGR	6	5 3/4	6 1/2
SAN 8000A40MPGR	8	7 3/4	8 1/2
SAN 10000A40MPGR	10	9 11/16	10 1/2
SAN 12000A40MPGR	12	11 11/16	12 1/2

Approximate dimensions of PTFE envelope clamp style gasket listed above.

Envelope Mini Clamp Gaskets

Part Number	Clamp size	ID	OD
SAN 0500A40MPGR	1/2	3/8	7/8
SAN 0750A40MPGR	3/4	5/8	7/8

Approximate dimensions of PTFE envelope mini clamp style gasket listed above.



Standard reinforced material is ethylene propylene (EPDM). It is also available in Viton™.