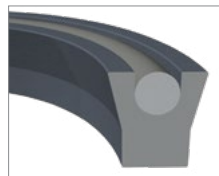
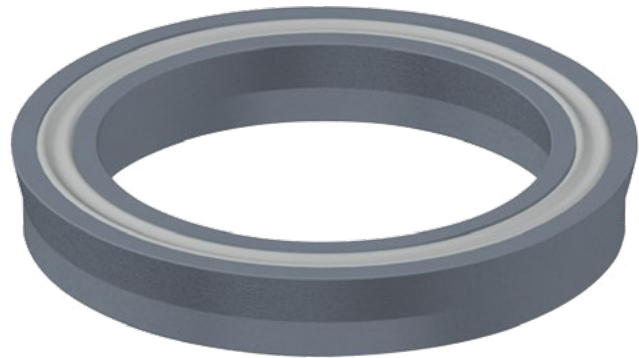


Seal Materials	Temp. Range	
Urethane	-54°C	to 105°C
Viton™/Fluorocarbon	-26°C	to 204°C
Hytrel®/Fluorotrel™	-54°C	to 149°C
Hydrogenated Nitrile	-40°C	to 160°C
Loader Materials		
Nitrile 70 Duro.	-40°C	to 120°C
Nitrile 90 Duro.	-25°C	to 120°C
Low Temp. Nitrile	-54°C	to 116°C
Viton™/Fluorocarbon	-26°C	to 204°C
Ethylene Propylene	-54°C	to 150°C



O-Ring Loaded w/ Straight Lip



O-Ring Loaded w/ Beveled Lip



Quad Loaded w/ Straight Lip



Quad Loaded w/ Beveled Lip

Product Description

U-cups are one of the most popular lip seals used today. Loaded U-cups are primarily intended for dynamic reciprocating applications. They are an excellent seal in low pressure rod or piston applications. As the system pressure increases, the loading lip force also increases, automatically compensating for the higher pressure while maintaining a positive seal. A variety of styles, materials, and sizes are available to suit specific requirements.

Part Numbers:



Prefix:

- LUC - TPU Loaded U-Cup
- HNBR - Hydrogenated Nitrile/HNBR loader
- VUC - Viton™/Viton™ Loader
- HTL - Hytrel®/Nitrile Loader

Suffix:

- Blank - O-Ring Loaded, Straight Lip
- B - O-Ring Loaded, Beveled Lip
- Q - Quad Loaded, Straight Lip
- BQ - Quad Loaded, Beveled Lip
- Material - if other than described by the prefix

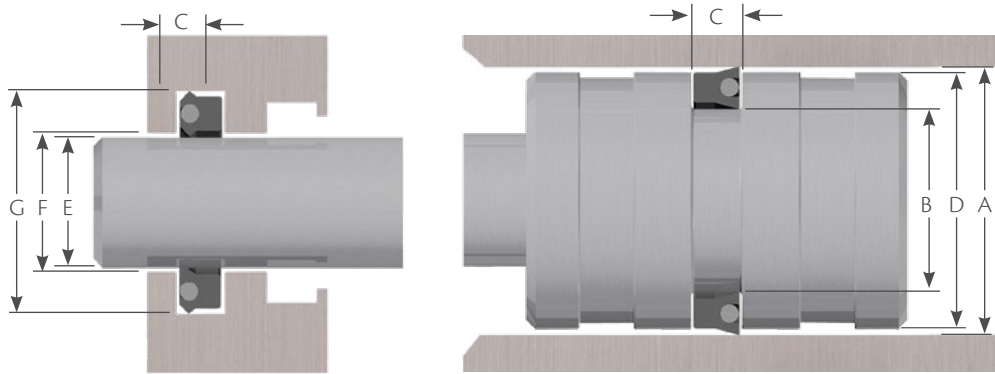
** Height is only listed if the axial height is greater than the cross-section.*

Example: LUC 1250 1062 250 - Urethane U-Cup, Nitrile O-Ring, 0.125" C/S, 1.062" Nominal I.D., .0250" Height (Nominal Depth).

Loaded U-Cups

IMPERIAL SEALS

Loaded U-Cups



If a wear ring is used value C is to the O.D. of the installed wear ring.

If a wear ring is used value F is to the I.D. of the installed wear ring.

C/S (Width)	Size Number	Nom I.D.	Nom O.D.	Nom Height	Piston Applications				Shaft Applications		
					C Groove Width	A Bore Dia.	D Piston Dia.	B Groove Dia.	E Shaft Dia.	F Throat Dia.	G Groove Dia.
Tolerance Limits					+0.010 -0.000	+0.002 -0.000	+0.000 -0.001	+0.000 -0.002	+0.000 -0.001	+0.002 -0.000	+0.002 -0.000
1/8"	12500125	1/8	3/8	1/8	0.138	0.375	0.374	0.125	0.125	0.126	0.375
	12500125250			1/4	0.275						
	12500187	3/16	7/16	1/8	0.138	0.437	0.436	0.187	0.187	0.188	0.437
	12500187250			1/4	0.275						
	12500250	1/4	1/2	1/8	0.138	0.500	0.499	0.250	0.250	0.251	0.500
	12500250250			1/4	0.275						
	12500312	5/16	9/16	1/8	0.138	0.562	0.561	0.312	0.312	0.313	0.562
	12500312250			1/4	0.275						
	12500375	3/8	5/8	1/8	0.138	0.625	0.624	0.375	0.375	0.376	0.625
	12500375250			1/4	0.275						
	12500437	7/16	11/16	1/8	0.138	0.687	0.686	0.437	0.437	0.438	0.687
	12500437250			1/4	0.275						
	12500500	1/2	3/4	1/8	0.138	0.750	0.749	0.500	0.500	0.501	0.750
	12500500250			1/4	0.275						
	12500562	9/16	13/16	1/8	0.138	0.812	0.811	0.562	0.562	0.563	0.812
	12500562250			1/4	0.275						
	12500625	5/8	7/8	1/8	0.138	0.875	0.874	0.625	0.625	0.626	0.875
	12500625250			1/4	0.275						
	12500687	11/16	15/16	1/8	0.138	0.937	0.936	0.687	0.687	0.688	0.937
	12500687250			1/4	0.275						
	12500750	3/4	1	1/8	0.138	1.000	0.999	0.750	0.750	0.751	1.000
	12500750250			1/4	0.275						
	12500812	13/16	1 - 1/16	1/8	0.138	1.062	1.061	0.812	0.812	0.813	1.062
	12500812250			1/4	0.275						
	12500875	7/8	1 - 1/8	1/8	0.138	1.125	1.124	0.875	0.875	0.876	1.125
	12500875250			1/4	0.275						
	12500937	15/16	1 - 3/16	1/8	0.138	1.187	1.186	0.937	0.937	0.938	1.187
	12500937250			1/4	0.275						
	12501000	1	1 - 1/4	1/8	0.138	1.250	1.249	1.000	1.000	1.001	1.250
	12501000250			1/4	0.275						
	12501062	1 - 1/16	1 - 5/16	1/8	0.138	1.312	1.311	1.062	1.062	1.063	1.312
	12501062250			1/4	0.275						

Loaded U-Cups

Loaded U-Cups

C/S (Width)	Size Number	Nom I.D.	Nom O.D.	Nom Height	Piston Applications				Shaft Applications		
					C Groove Width	A Bore Dia.	D Piston Dia.	B Groove Dia.	E Shaft Dia.	F Throat Dia.	G Groove Dia.
Tolerance Limits					+0.010 -0.000	+0.002 -0.000	+0.000 -0.001	+0.000 -0.002	+0.000 -0.001	+0.002 -0.000	+0.002 -0.000
1/8"	12501125	1 - 1/8	1 - 3/8	1/8	0.138	1.375	1.374	1.125	1.125	1.126	1.375
	12501125250			1/4	0.275						
	12501187	1 - 3/16	1 - 7/16	1/8	0.138	1.437	1.436	1.187	1.187	1.188	1.437
	12501187250			1/4	0.275						
	12501250	1 - 1/4	1 - 1/2	1/8	0.138	1.500	1.499	1.250	1.250	1.251	1.500
	12501250250			1/4	0.275						
	12501312	1 - 5/16	1 - 9/16	1/8	0.138	1.562	1.561	1.312	1.312	1.313	1.562
	12501312250			1/4	0.275						
	12501375	1 - 3/8	1 - 5/8	1/8	0.138	1.625	1.624	1.375	1.375	1.376	1.625
	12501375250			1/4	0.275						
	12501437	1 - 7/16	1 - 11/16	1/8	0.138	1.687	1.686	1.437	1.437	1.438	1.687
	12501437250			1/4	0.275						
	12501500	1 - 1/2	1 - 3/4	1/8	0.138	1.750	1.749	1.500	1.500	1.501	1.750
	12501500250			1/4	0.275						
	12501625	1 - 5/8	1 - 7/8	1/8	0.138	1.875	1.874	1.625	1.625	1.626	1.875
	12501625250			1/4	0.275						
	12501750	1 - 3/4	2	1/8	0.138	2.000	1.999	1.750	1.750	1.751	2.000
	12501750250			1/4	0.275						
	12501875	1 - 7/8	2 - 1/8	1/8	0.138	2.125	2.124	1.875	1.875	1.876	2.125
	12501875250			1/4	0.275						
	12502000	2	2 - 1/4	1/8	0.138	2.250	2.249	2.000	2.000	2.001	2.250
	12502000250			1/4	0.275						
	12502125	2 - 1/8	2 - 3/8	1/8	0.138	2.375	2.374	2.125	2.125	2.126	2.375
	12502125250			1/4	0.275						
	12502250	2 - 1/4	2 - 1/2	1/8	0.138	2.500	2.499	2.250	2.250	2.251	2.500
	12502250250			1/4	0.275						
	12502375	2 - 3/8	2 - 5/8	1/8	0.138	2.625	2.624	2.375	2.375	2.376	2.625
	12502375250			1/4	0.275						
	12502500	2 - 1/2	2 - 3/4	1/8	0.138	2.750	2.749	2.500	2.500	2.501	2.750
	12502500250			1/4	0.275						
Tolerance Limits					+0.010 -0.000	+0.002 -0.000	+0.000 -0.002	+0.000 -0.002	+0.000 -0.002	+0.002 -0.000	+0.002 -0.000
3/16"	18700187	3/16	9/16	3/16	0.207	0.562	0.561	0.187	0.187	0.188	0.562
	18700187312			5/16	0.344						
	18700250	1/4	5/8	3/16	0.207	0.625	0.624	0.250	0.250	0.251	0.625
	18700250312			5/16	0.344						
	18700312	5/16	11/16	3/16	0.207	0.687	0.686	0.312	0.312	0.313	0.687
	18700312312			5/16	0.344						
	1870375	3/8	3/4	3/16	0.207	0.750	0.749	0.375	0.375	0.376	0.750
	18700375312			5/16	0.344						
	18700437	7/16	13/16	3/16	0.207	0.812	0.811	0.437	0.437	0.438	0.812
	18700437312			5/16	0.344						
	18700500	1/2	7/8	3/16	0.207	0.875	0.874	0.500	0.500	0.501	0.875
	18700500312			5/16	0.344						
	18700562	9/16	15/16	3/16	0.207	0.937	0.936	0.562	0.562	0.563	0.937
	18700562312			5/16	0.344						

Loaded U-Cups

IMPERIAL SEALS

Loaded U-Cups

C/S (Width)	Size Number	Nom I.D.	Nom O.D.	Nom Height	Piston Applications				Shaft Applications		
					C Groove Width	A Bore Dia.	D Piston Dia.	B Groove Dia.	E Shaft Dia.	F Throat Dia.	G Groove Dia.
Tolerance Limits					+0.010 -0.000	+0.002 -0.000	+0.000 -0.002	+0.000 -0.002	+0.000 -0.002	+0.002 -0.000	+0.002 -0.000
3/16"	18700625	5/8	1	3/16	0.207	1.000	0.999	0.625	0.625	0.626	1.000
	18700625312			5/16	0.344						
	18700687	11/16	1 - 1/16	3/16	0.207	1.062	1.061	0.687	0.687	0.688	1.062
	18700687312			5/16	0.344						
	18700750	3/4	1 - 1/8	3/16	0.207	1.125	1.124	0.750	0.750	0.751	1.125
	18700750312			5/16	0.344						
	18700812	13/16	1 - 3/16	3/16	0.207	1.187	1.186	0.812	0.812	0.813	1.187
	18700812312			5/16	0.344						
	18700875	7/8	1 - 1/4	3/16	0.207	1.250	1.249	0.875	0.875	0.876	1.250
	18700875312			5/16	0.344						
	18700937	15/16	1 - 5/16	3/16	0.207	1.312	1.311	0.937	0.937	0.938	1.312
	18700937312			5/16	0.344						
	18701000	1	1 - 3/8	3/16	0.207	1.375	1.374	1.000	1.000	1.001	1.375
	18701000312			5/16	0.344						
	18701062	1 - 1/16	1 - 7/16	3/16	0.207	1.437	1.436	1.062	1.062	1.063	1.437
	18701062312			5/16	0.344						
	18701125	1 - 1/8	1 - 1/2	3/16	0.207	1.500	1.499	1.125	1.125	1.126	1.500
	18701125312			5/16	0.344						
	18701187	1 - 3/16	1 - 9/16	3/16	0.207	1.562	1.561	1.187	1.187	1.188	1.562
	18701187312			5/16	0.344						
	18701250	1 - 1/4	1 - 5/8	3/16	0.207	1.625	1.624	1.250	1.250	1.251	1.625
	18701250312			5/16	0.344						
	18701312	1 - 5/16	1 - 11/16	3/16	0.207	1.687	1.686	1.312	1.312	1.313	1.687
	18701312312			5/16	0.344						
	18701375	1 - 3/8	1 - 3/4	3/16	0.207	1.750	1.749	1.375	1.375	1.376	1.750
	18701375312			5/16	0.344						
	18701437	1 - 7/16	1 - 13/16	3/16	0.207	1.812	1.811	1.437	1.437	1.438	1.812
	18701437312			5/16	0.344						
	18701500	1 - 1/2	1 - 7/8	3/16	0.207	1.875	1.874	1.500	1.500	1.501	1.875
	18701500375			3/8	0.413						
	18701625	1 - 5/8	2	3/16	0.207	2.000	1.999	1.625	1.625	1.626	2.000
	18701625375			3/8	0.413						
	18701687	1 - 11/16	2 - 1/16	3/16	0.207	2.062	2.061	1.687	1.687	1.688	2.062
	18701687375			3/8	0.413						
	18701750	1 - 3/4	2 - 1/8	3/16	0.207	2.125	2.124	1.750	1.750	1.751	2.125
	18701750375			3/8	0.413						
	18701875	1 - 7/8	2 - 1/4	3/16	0.207	2.250	2.249	1.875	1.875	1.876	2.250
	18701875375			3/8	0.413						
	18702000	2	2 - 3/8	3/16	0.207	2.375	2.374	2.000	2.000	2.001	2.375
	18702000375			3/8	0.413						
	18702125	2 - 1/8	2 - 1/2	3/16	0.207	2.500	2.499	2.125	2.125	2.126	2.500
	18702125375			3/8	0.413						
	18702250	2 - 1/4	2 - 5/8	3/16	0.207	2.625	2.624	2.250	2.250	2.251	2.625
	18702250375			3/8	0.413						
	18702375	2 - 3/8	2 - 3/4	3/16	0.207	2.750	2.749	2.375	2.375	2.376	2.750
	18702375375			3/8	0.413						

Loaded U-Cups

Loaded U-Cups

C/S (Width)	Size Number	Nom I.D.	Nom O.D.	Nom Height	Piston Applications				Shaft Applications		
					C Groove Width	A Bore Dia.	D Piston Dia.	B Groove Dia.	E Shaft Dia.	F Throat Dia.	G Groove Dia.
Tolerance Limits					+0.010 -0.000	+0.002 -0.000	+0.000 -0.002	+0.000 -0.002	+0.000 -0.002	+0.002 -0.000	+0.002 -0.000
3/16"	18702500	2 - 1/2	2 - 7/8	3/16	0.207	2.875	2.874	2.500	2.500	2.501	2.875
	18702500375			3/8	0.413						
	18702625	2 - 5/8	3	3/16	0.207	3.000	2.999	2.625	2.625	2.626	3.000
	18702625375			3/8	0.413						
	18702750	2 - 3/4	3 - 1/8	3/16	0.207	3.125	3.124	2.750	2.750	2.751	3.125
	18702750375			3/8	0.413						
	18702875	2 - 7/8	3 - 1/4	3/16	0.207	3.250	3.249	2.875	2.875	2.876	3.250
	18702875375			3/8	0.413						
	18703000	3	3 - 3/8	3/16	0.207	3.375	3.374	3.000	3.000	3.001	3.375
	18703000375			3/8	0.413						
	18703125	3 - 1/8	3 - 1/2	3/16	0.207	3.500	3.499	3.125	3.125	3.126	3.500
	18703125375			3/8	0.413						
	18703250	3 - 1/4	3 - 5/8	3/16	0.207	3.625	3.624	3.250	3.250	3.251	3.625
	18703250375			3/8	0.413						
	18703375	3 - 3/8	3 - 3/4	3/16	0.207	3.750	3.749	3.375	3.375	3.376	3.750
	18703375375			3/8	0.413						
	18703500	3 - 1/2	3 - 7/8	3/16	0.207	3.875	3.874	3.500	3.500	3.501	3.875
	18703500375			3/8	0.413						
	18703625	3 - 5/8	4	3/16	0.207	4.000	3.999	3.625	3.625	3.626	4.000
	18703625375			3/8	0.413						
	18703750	3 - 3/4	4 - 1/8	3/16	0.207	4.125	4.124	3.750	3.750	3.751	4.125
	18703750375			3/8	0.413						
	18703875	3 - 7/8	4 - 1/4	3/16	0.207	4.250	4.249	3.875	3.875	3.876	4.250
	18703875375			3/8	0.413						
	18704000	4	4 - 3/8	3/16	0.207	4.375	4.374	4.000	4.000	4.001	4.375
	18704000375			3/8	0.413						
	18704125	4 - 1/8	4 - 1/2	3/16	0.207	4.500	4.499	4.125	4.125	4.126	4.500
	18704125375			3/8	0.413						
	18704250	4 - 1/4	4 - 5/8	3/16	0.207	4.625	4.624	4.250	4.250	4.251	4.625
	18704250375			3/8	0.413						
	18704375	4 - 3/8	4 - 3/4	3/16	0.207	4.750	4.749	4.375	4.375	4.376	4.750
	18704375375			3/8	0.413						
	18704500	4 - 1/2	4 - 7/8	3/16	0.207	4.875	4.874	4.500	4.500	4.501	4.875
	18704500375			3/8	0.413						
Tolerance Limits					+0.010 -0.000	+0.003 -0.000	+0.000 -0.002	+0.000 -0.003	+0.000 -0.002	+0.003 -0.000	+0.003 -0.000
1/4"	2500250	1/4	3/4	1/4	0.275	0.750	0.749	0.250	0.250	0.251	0.750
	2500250375			3/8	0.413						
	2500312	5/16	13/16	1/4	0.275	0.812	0.811	0.312	0.312	0.313	0.812
	2500312375			3/8	0.413						
	2500375	3/8	7/8	1/4	0.275	0.875	0.874	0.375	0.375	0.376	0.875
	2500375375			3/8	0.413						
	2500437	7/16	15/16	1/4	0.275	0.937	0.936	0.437	0.437	0.438	0.937
	2500437375			3/8	0.413						
	2500500	1/2	1	1/4	0.275	1.000	0.999	0.500	0.500	0.501	1.000
	2500500375			3/8	0.413						

Loaded U-Cups

IMPERIAL SEALS

Loaded U-Cups

C/S (Width)	Size Number	Nom I.D.	Nom O.D.	Nom Height	Piston Applications			Shaft Applications			
					C Groove Width	A Bore Dia.	D Piston Dia.	B Groove Dia.	E Shaft Dia.	F Throat Dia.	G Groove Dia.
Tolerance Limits					+0.010 -0.000	+0.003 -0.000	+0.000 -0.002	+0.000 -0.003	+0.000 -0.002	+0.003 -0.000	+0.003 -0.000
1/4"	25000562	9/16	1 - 1/16	1/4	0.275	1.062	1.061	0.562	0.562	0.563	1.062
	25000562375			3/8	0.413						
	25000625	5/8	1 - 1/8	1/4	0.275	1.125	1.124	0.625	0.625	0.626	1.125
	25000625375			3/8	0.413						
	25000687	11/16	1 - 3/16	1/4	0.275	1.187	1.186	0.687	0.687	0.688	1.187
	25000687375			3/8	0.413						
	25000750	3/4	1 - 1/4	1/4	0.275	1.250	1.249	0.750	0.750	0.751	1.250
	25000750375			3/8	0.413						
	25000812	13/16	1 - 5/16	1/4	0.275	1.312	1.311	0.812	0.812	0.813	1.312
	25000812375			3/8	0.413						
	25000875	7/8	1 - 3/8	1/4	0.275	1.375	1.374	0.875	0.875	0.876	1.375
	25000875375			3/8	0.413						
	25000937	15/16	1 - 7/16	1/4	0.275	1.437	1.436	0.937	0.937	0.938	1.437
	25000937375			3/8	0.413						
	25001000	1	1 - 1/2	1/4	0.275	1.500	1.499	1.000	1.000	1.001	1.500
	25001000375			3/8	0.413						
	25001062	1 - 1/16	1 - 9/16	1/4	0.275	1.562	1.561	1.062	1.062	1.063	1.562
	25001062375			3/8	0.413						
	25001125	1 - 1/8	1 - 5/8	1/4	0.275	1.625	1.624	1.125	1.125	1.126	1.625
	25001125375			3/8	0.413						
	25001187	1 - 3/16	1 - 11/16	1/4	0.275	1.687	1.686	1.187	1.187	1.188	1.687
	25001187375			3/8	0.413						
	25001250	1 - 1/4	1 - 3/4	1/4	0.275	1.750	1.749	1.250	1.250	1.251	1.750
	25001250375			3/8	0.413						
	25001312	1 - 5/16	1 - 13/16	1/4	0.275	1.813	1.812	1.313	1.313	1.314	1.813
	25001312375			3/8	0.413						
	25001375	1 - 3/8	1 - 7/8	1/4	0.275	1.875	1.874	1.375	1.375	1.376	1.875
	25001375375			3/8	0.413						
	25001437	1 - 7/16	1 - 15/16	1/4	0.275	1.937	1.936	1.437	1.437	1.438	1.937
	25001437375			3/8	0.413						
	25001500	1 - 1/2	2	1/4	0.275	2.000	1.999	1.500	1.500	1.501	2.000
	25001500375			3/8	0.413						
	25001625	1 - 5/8	2 - 1/8	1/4	0.275	2.125	2.124	1.625	1.625	1.626	2.125
	25001625375			3/8	0.413						
	25001750	1 - 3/4	2 - 1/4	1/4	0.275	2.250	2.249	1.750	1.750	1.751	2.250
	25001750375			3/8	0.413						
	25001875	1 - 7/8	2 - 3/8	1/4	0.275	2.375	2.374	1.875	1.875	1.876	2.375
	25001875375			3/8	0.413						
	25002000	2	2 - 1/2	1/4	0.275	2.500	2.499	2.000	2.000	2.001	2.500
	25002000375			3/8	0.413						
	25002125	2 - 1/8	2 - 5/8	1/4	0.275	2.625	2.624	2.125	2.125	2.126	2.625
	25002125375			3/8	0.413						
	25002250	2 - 1/4	2 - 3/4	1/4	0.275	2.750	2.749	2.250	2.250	2.251	2.750
	25002250375			3/8	0.413						
	25002375	2 - 3/8	2 - 7/8	1/4	0.275	2.875	2.874	2.375	2.375	2.376	2.875
	25002375375			3/8	0.413						

Loaded U-Cups

C/S (Width)	Size Number	Nom I.D.	Nom O.D.	Nom Height	Piston Applications				Shaft Applications		
					C Groove Width	A Bore Dia.	D Piston Dia.	B Groove Dia.	E Shaft Dia.	F Throat Dia.	G Groove Dia.
Tolerance Limits					+0.010 -0.000	+0.003 -0.000	+0.000 -0.002	+0.000 -0.003	+0.000 -0.002	+0.003 -0.000	+0.003 -0.000
1/4"	25002500	2 - 1/2	3	1/4	0.275	3.000	2.999	2.500	2.500	2.501	3.000
	25002500375			3/8	0.413						
	25002625	2 - 5/8	3 - 1/8	1/4	0.275	3.125	3.124	2.625	2.625	2.626	3.125
	25002625375			3/8	0.413						
	25002750	2 - 3/4	3 - 1/4	1/4	0.275	3.250	3.249	2.750	2.750	2.751	3.250
	25002750375			3/8	0.413						
	25002875	2 - 7/8	3 - 3/8	1/4	0.275	3.375	3.374	2.875	2.875	2.876	3.375
	25002875375			3/8	0.413						
	25003000	3	3 - 1/2	1/4	0.275	3.500	3.499	3.000	3.000	3.001	3.500
	25003000375			3/8	0.413						
	25003125	3 - 1/8	3 - 5/8	1/4	0.275	3.625	3.624	3.125	3.125	3.126	3.625
	25003125375			3/8	0.413						
	25003250	3 - 1/4	3 - 3/4	1/4	0.275	3.750	3.749	3.250	3.250	3.251	3.750
	25003250375			3/8	0.413						
	25003375	3 - 3/8	3 - 7/8	1/4	0.275	3.875	3.874	3.375	3.375	3.376	3.875
	25003375375			3/8	0.413						
	25003500	3 - 1/2	4	1/4	0.275	4.000	3.999	3.500	3.500	3.501	4.000
	25003500375			3/8	0.413						
	25003625	3 - 5/8	4 - 1/8	1/4	0.275	4.125	4.124	3.625	3.625	3.626	4.125
	25003625375			3/8	0.413						
	25003750	3 - 3/4	4 - 1/4	1/4	0.275	4.250	4.249	3.750	3.750	3.751	4.250
	25003750375			3/8	0.413						
	25004000	4	4 - 1/2	1/4	0.275	4.500	4.499	4.000	4.000	4.001	4.500
	25004000562			9/16	0.619						
	25004125	4 - 1/8	4 - 5/8	1/4	0.275	4.625	4.624	4.125	4.125	4.126	4.625
	25004125562			9/16	0.619						
	25004250	4 - 1/4	4 - 3/4	1/4	0.275	4.750	4.749	4.250	4.250	4.251	4.750
	25004250562			9/16	0.619						
	25004375	4 - 3/8	4 - 7/8	1/4	0.275	4.875	4.874	4.375	4.375	4.376	4.875
	25004375562			9/16	0.619						
	25004500	4 - 1/2	5	1/4	0.275	5.000	4.999	4.500	4.500	4.501	5.000
	25004500562			9/16	0.619						
	25004625	4 - 5/8	5 - 1/8	1/4	0.275	5.125	5.124	4.625	4.625	4.626	5.125
	25004625562			9/16	0.619						
	25004750	4 - 3/4	5 - 1/4	1/4	0.275	5.250	5.249	4.750	4.750	4.751	5.250
	25004750562			9/16	0.619						
	25004875	4 - 7/8	5 - 3/8	1/4	0.275	5.375	5.374	4.875	4.875	4.876	5.375
	25004875562			9/16	0.619						
	25005000	5	5 - 1/2	1/4	0.275	5.500	5.499	5.000	5.000	5.001	5.500
	25005000562			9/16	0.619						
	25005125	5 - 1/8	5 - 5/8	1/4	0.275	5.625	5.624	5.125	5.125	5.126	5.625
	25005125562			9/16	0.619						
	25005250	5 - 1/4	5 - 3/4	1/4	0.275	5.750	5.749	5.250	5.250	5.251	5.750
	25005250562			9/16	0.619						
	25005375	5 - 3/8	5 - 7/8	1/4	0.275	5.875	5.874	5.375	5.375	5.376	5.875
	25005375562			9/16	0.619						

Loaded U-Cups

Loaded U-Cups

IMPERIAL SEALS

Loaded U-Cups

C/S (Width)	Size Number	Nom I.D.	Nom O.D.	Nom Height	C		Piston Applications			Shaft Applications		
					Groove Width	Tolerance Limits	A Bore Dia.	D Piston Dia.	B Groove Dia.	E Shaft Dia.	F Throat Dia.	G Groove Dia.
						+0.010 -0.000	+0.003 -0.000	+0.000 -0.002	+0.000 -0.003	+0.000 -0.002	+0.003 -0.000	+0.003 -0.000
1/4"	25005500	5 - 1/2	6	1/4	0.275	6.000	5.999	5.500	5.500	5.501	6.000	
	25005500562			9/16	0.619							
	25005625	5 - 5/8	6 - 1/8	1/4	0.275	6.125	6.124	5.625	5.625	5.626	6.125	
	25005625562			9/16	0.619							
	25005750	5 - 3/4	6 - 1/4	1/4	0.275	6.250	6.249	5.750	5.750	5.751	6.250	
	25005750562			9/16	0.619							
	25005875	5 - 7/8	6 - 3/8	1/4	0.275	6.375	6.374	5.875	5.875	5.876	6.375	
	25005875562			9/16	0.619							
	25006000	6	6 - 1/2	1/4	0.275	6.500	6.499	6.000	6.000	6.001	6.500	
	25006000562			9/16	0.619							
	25006250	6 - 1/4	6 - 3/4	1/4	0.275	6.750	6.749	6.250	6.250	6.251	6.750	
	25006250562			9/16	0.619							
	25006500	6 - 1/2	7	1/4	0.275	7.000	6.999	6.500	6.500	6.501	7.000	
	25006500562			9/16	0.619							
	25006750	6 - 3/4	7 - 1/4	1/4	0.275	7.250	7.249	6.750	6.750	6.751	7.250	
	25006750562			9/16	0.619							
	25007000	7	7 - 1/2	1/4	0.275	7.500	7.499	7.000	7.000	7.001	7.500	
	25007000562			9/16	0.619							
	25007250	7 - 1/4	7 - 3/4	1/4	0.275	7.750	7.749	7.250	7.250	7.251	7.750	
	25007250562			9/16	0.619							
	25007500	7 - 1/2	8	1/4	0.275	8.000	7.999	7.500	7.500	7.501	8.000	
	25007500562			9/16	0.619							
	25007750	7 - 3/4	8 - 1/4	1/4	0.275	8.250	8.249	7.750	7.750	7.751	8.250	
	25007750562			9/16	0.619							
	25008000	8	8 - 1/2	1/4	0.275	8.500	8.499	8.000	8.000	8.001	8.500	
	25008000562			9/16	0.619							
	25008250	8 - 1/4	8 - 3/4	1/4	0.275	8.750	8.749	8.250	8.250	8.251	8.750	
	25008250562			9/16	0.619							
	25008500	8 - 1/2	9	1/4	0.275	9.000	8.999	8.500	8.500	8.501	9.000	
	25008500562			9/16	0.619							
	25008750	8 - 3/4	9 - 1/4	1/4	0.275	9.250	9.249	8.750	8.750	8.751	9.250	
	25008750562			9/16	0.619							
	25009000	9	9 - 1/2	1/4	0.275	9.500	9.499	9.000	9.000	9.001	9.500	
	25009000562			9/16	0.619							
	25009250	9 - 1/4	9 - 3/4	1/4	0.275	9.750	9.749	9.250	9.250	9.251	9.750	
	25009250562			9/16	0.619							
	25009500	9 - 1/2	10	1/4	0.275	10.000	9.999	9.500	9.500	9.501	10.000	
	25009500562			9/16	0.619							
	25009750	9 - 3/4	10 - 1/4	1/4	0.275	10.250	10.249	9.750	9.750	9.751	10.250	
	25009750562			9/16	0.619							
	250010000	10	10 - 1/2	1/4	0.275	10.500	10.499	10.000	10.000	10.001	10.500	
	250010000562			9/16	0.619							

Loaded U-Cups

C/S (Width)	Size Number	Nom I.D.	Nom O.D.	Nom Height	Piston Applications				Shaft Applications		
					C Groove Width	A Bore Dia.	D Piston Dia.	B Groove Dia.	E Shaft Dia.	F Throat Dia.	G Groove Dia.
Tolerance Limits					+0.010 -0.000	+0.003 -0.000	+0.000 -0.002	+0.000 -0.004	+0.000 -0.002	+0.003 -0.000	+0.004 -0.000
5/16"	31200375	3/8	1	5/16	0.344	1.000	0.998	0.375	0.375	0.377	1.000
	31200375500			1/2	0.550						
	31200437	7/16	1 - 1/16	5/16	0.344	1.062	1.060	0.437	0.437	0.439	1.062
	31200437500			1/2	0.550						
	31200500	1/2	1 - 1/8	5/16	0.344	1.125	1.123	0.500	0.500	0.502	1.125
	31200500500			1/2	0.550						
	31200562	9/16	1 - 3/16	5/16	0.344	1.187	1.185	0.562	0.562	0.564	1.187
	31200562500			1/2	0.550						
	31200625	5/8	1 - 1/4	5/16	0.344	1.250	1.248	0.625	0.625	0.627	1.250
	31200625500			1/2	0.550						
	31200687	11/16	1 - 5/16	5/16	0.344	1.312	1.310	0.687	0.687	0.689	1.312
	31200687500			1/2	0.550						
	31200750	3/4	1 - 3/8	5/16	0.344	1.375	1.373	0.750	0.750	0.752	1.375
	31200750500			1/2	0.550						
	31200812	13/16	1 - 7/16	5/16	0.344	1.437	1.435	0.812	0.812	0.814	1.437
	31200812500			1/2	0.550						
	31200875	7/8	1 - 1/2	5/16	0.344	1.500	1.498	0.875	0.875	0.877	1.500
	31200875500			1/2	0.550						
	31200937	15/16	1 - 9/16	5/16	0.344	1.562	1.560	0.937	0.937	0.939	1.562
	31200937500			1/2	0.550						
	31201000	1	1 - 5/8	5/16	0.344	1.625	1.623	1.000	1.000	1.002	1.625
	31201000500			1/2	0.550						
	31201062	1 - 1/16	1 - 11/16	5/16	0.344	1.687	1.685	1.062	1.062	1.064	1.687
	31201062500			1/2	0.550						
	31201125	1 - 1/8	1 - 3/4	5/16	0.344	1.750	1.748	1.125	1.125	1.127	1.750
	31201125500			1/2	0.550						
	31201375	1 - 3/16	1 - 13/16	5/16	0.344	1.812	1.810	1.187	1.187	1.189	1.812
	31201375500			1/2	0.550						
	31201250	1 - 1/4	1 - 7/8	5/16	0.344	1.875	1.873	1.250	1.250	1.252	1.875
	31201250500			1/2	0.550						
	31201312	1 - 5/16	1 - 15/16	5/16	0.344	1.937	1.935	1.312	1.312	1.314	1.937
	31201312500			1/2	0.550						
	31201375	1 - 3/8	2	5/16	0.344	2.000	1.998	1.375	1.375	1.377	2.000
	31201375500			1/2	0.550						
	31201437	1 - 7/16	2 - 1/16	5/16	0.344	2.062	2.060	1.437	1.437	1.439	2.062
	31201437500			1/2	0.550						
	31201500	1 - 1/2	2 - 1/8	5/16	0.344	2.125	2.123	1.500	1.500	1.502	2.125
	31201500500			1/2	0.550						

Loaded U-Cups

Loaded U-Cups

IMPERIAL SEALS

C/S (Width)	Size Number	Nom I.D.	Nom O.D.	Nom Height	C Groove Width	Piston Applications			Shaft Applications		
						A Bore Dia.	D Piston Dia.	B Groove Dia.	E Shaft Dia.	F Throat Dia.	G Groove Dia.
Tolerance Limits					+0.010 -0.000	+0.003 -0.000	+0.000 -0.002	+0.000 -0.004	+0.000 -0.002	+0.003 -0.000	+0.004 -0.000
5/16"	31201625	1 - 5/8	2 - 1/4	5/16	0.344	2.250	2.248	1.625	1.625	1.627	2.250
	31201625500			1/2	0.550						
	31201750	1 - 3/4	2 - 3/8	5/16	0.344	2.375	2.373	1.750	1.750	1.752	2.375
	31201750500			1/2	0.550						
	31201875	1 - 7/8	2 - 1/2	5/16	0.344	2.500	2.498	1.875	1.875	1.877	2.500
	31201875500			1/2	0.550						
	31202000	2	2 - 5/8	5/16	0.344	2.625	2.623	2.000	2.000	2.002	2.625
	31202000500			1/2	0.550						
	31202125	2 - 1/8	2 - 3/4	5/16	0.344	2.750	2.748	2.125	2.125	2.127	2.750
	31202125500			1/2	0.550						
	31202250	2 - 1/4	2 - 7/8	5/16	0.344	2.875	2.873	2.250	2.250	2.252	2.875
	31202250500			1/2	0.550						
	31202375	2 - 3/8	3	5/16	0.344	3.000	2.998	2.375	2.375	2.377	3.000
	31202375500			1/2	0.550						
	31202500	2 - 1/2	3 - 1/8	5/16	0.344	3.125	3.123	2.500	2.500	2.502	3.125
	31202500500			1/2	0.550						
	31202625	2 - 5/8	3 - 1/4	5/16	0.344	3.250	3.248	2.625	2.625	2.627	3.250
	31202625500			1/2	0.550						
	31202750	2 - 3/4	3 - 3/8	5/16	0.344	3.375	3.373	2.750	2.750	2.752	3.375
	31202750500			1/2	0.550						
	31202875	2 - 7/8	3 - 1/2	5/16	0.344	3.500	3.498	2.875	2.875	2.877	3.500
	31202875500			1/2	0.550						
	31203000	3	3 - 5/8	5/16	0.344	3.625	3.623	3.000	3.000	3.002	3.625
	31203000500			1/2	0.550						
	31203125	3 - 1/8	3 - 3/4	5/16	0.344	3.750	3.748	3.125	3.125	3.127	3.750
	31203125500			1/2	0.550						
	31203250	3 - 1/4	3 - 7/8	5/16	0.344	3.875	3.873	3.250	3.250	3.252	3.875
	31203250500			1/2	0.550						
	31203375	3 - 3/8	4	5/16	0.344	4.000	3.998	3.375	3.375	3.377	4.000
	31203375500			1/2	0.550						
	31203500	3 - 1/2	4 - 1/8	5/16	0.344	4.125	4.123	3.500	3.500	3.502	4.125
	31203500500			1/2	0.550						
	31203625	3 - 5/8	4 - 1/4	5/16	0.344	4.250	4.248	3.625	3.625	3.627	4.250
	31203625500			1/2	0.550						
	31203750	3 - 3/4	4 - 3/8	5/16	0.344	4.375	4.373	3.750	3.750	3.752	4.375
	31203750500			1/2	0.550						
	31203875	3 - 7/8	4 - 1/2	5/16	0.344	4.500	4.498	3.875	3.875	3.877	4.500
	31203875500			1/2	0.550						
	31204000	4	4 - 5/8	5/16	0.344	4.625	4.623	4.000	4.000	4.002	4.625
	31204000562			9/16	0.619						
	31204125	4 - 1/8	4 - 3/4	5/16	0.344	4.750	4.748	4.125	4.125	4.127	4.750
	31204125562			9/16	0.619						
	31204250	4 - 1/4	4 - 7/8	5/16	0.344	4.875	4.873	4.250	4.250	4.252	4.875
	31204250562			9/16	0.619						
	31204375	4 - 3/8	5	5/16	0.344	5.000	4.998	4.375	4.375	4.377	5.000
	31204375562			9/16	0.619						

Loaded U-Cups

Loaded U-Cups

C/S (Width)	Size Number	Nom I.D.	Nom O.D.	Nom Height	Piston Applications				Shaft Applications		
					C Groove Width	A Bore Dia.	D Piston Dia.	B Groove Dia.	E Shaft Dia.	F Throat Dia.	G Groove Dia.
Tolerance Limits					+0.010 -0.000	+0.003 -0.000	+0.000 -0.002	+0.000 -0.004	+0.000 -0.002	+0.003 -0.000	+0.004 -0.000
5/16"	31204500	4 - 1/2	5 - 1/8	5/16	0.344	5.125	5.123	4.500	4.500	4.502	5.125
	31204500625			5/8	0.688						
	31204625	4 - 5/8	5 - 1/4	5/16	0.344	5.250	5.248	4.625	4.625	4.627	5.250
	31204625625			5/8	0.688						
	31204750	4 - 3/4	5 - 3/8	5/16	0.344	5.375	5.373	4.750	4.750	4.752	5.375
	31204750625			5/8	0.688						
	31204875	4 - 7/8	5 - 1/2	5/16	0.344	5.500	5.498	4.875	4.875	4.877	5.500
	31204875625			5/8	0.688						
	31205000	5	5 - 5/8	5/16	0.344	5.625	5.623	5.000	5.000	5.002	5.625
	31205000625			5/8	0.688						
	31205125	5 - 1/8	5 - 3/4	5/16	0.344	5.750	5.748	5.125	5.125	5.127	5.750
	31205125625			5/8	0.688						
	31205250	5 - 1/4	5 - 7/8	5/16	0.344	5.875	5.873	5.250	5.250	5.252	5.875
	31205250625			5/8	0.688						
	31205375	5 - 3/8	6	5/16	0.344	6.000	5.998	5.375	5.375	5.377	6.000
	31205375625			5/8	0.688						
	31205500	5 - 1/2	6 - 1/8	5/16	0.344	6.125	6.123	5.500	5.500	5.502	6.125
	31205500625			5/8	0.688						
	31205625	5 - 5/8	6 - 1/4	5/16	0.344	6.250	6.248	5.625	5.625	5.627	6.250
	31205625625			5/8	0.688						
	31205750	5 - 3/4	6 - 3/8	5/16	0.344	6.375	6.373	5.750	5.750	5.752	6.375
	31205750625			5/8	0.688						
	31205875	5 - 7/8	6 - 1/2	5/16	0.344	6.500	6.498	5.875	5.875	5.877	6.500
	31205875625			5/8	0.688						
	31206000	6	6 - 5/8	5/16	0.344	6.625	6.623	6.000	6.000	6.002	6.625
	31206000625			5/8	0.688						
	31206125	6 - 1/8	6 - 3/4	5/16	0.344	6.750	6.748	6.125	6.125	6.127	6.750
	31206125625			5/8	0.688						
	31206250	6 - 1/4	6 - 7/8	5/16	0.344	6.875	6.873	6.250	6.250	6.252	6.875
	31206250625			5/8	0.688						
	31206375	6 - 3/8	7	5/16	0.344	7.000	6.998	6.375	6.375	6.377	7.000
	31206375625			5/8	0.688						
	31206500	6 - 1/2	7 - 1/8	5/16	0.344	7.125	7.123	6.500	6.500	6.502	7.125
	31206500625			5/8	0.688						
	31206625	6 - 5/8	7 - 1/4	5/16	0.344	7.250	7.248	6.625	6.625	6.627	7.250
	31206625625			5/8	0.688						
	31206750	6 - 3/4	7 - 3/8	5/16	0.344	7.375	7.373	6.750	6.750	6.752	7.375
	31206750625			5/8	0.688						
	31206875	6 - 7/8	7 - 1/2	5/16	0.344	7.500	7.498	6.875	6.875	6.877	7.500
	31206875625			5/8	0.688						
	31207000	7	7 - 5/8	5/16	0.344	7.625	7.623	7.000	7.000	7.002	7.625
	31207000625			5/8	0.688						
	31207125	7 - 1/8	7 - 3/4	5/16	0.344	7.750	7.748	7.125	7.125	7.127	7.750
	31207125625			5/8	0.688						

Loaded U-Cups

Loaded U-Cups

IMPERIAL SEALS

Loaded U-Cups

C/S (Width)	Size Number	Nom I.D.	Nom O.D.	Nom Height	Piston Applications				Shaft Applications		
					C Groove Width	A Bore Dia.	D Piston Dia.	B Groove Dia.	E Shaft Dia.	F Throat Dia.	G Groove Dia.
Tolerance Limits					+0.010 -0.000	+0.003 -0.000	+0.000 -0.002	+0.000 -0.004	+0.000 -0.002	+0.003 -0.000	+0.004 -0.000
5/16"	31207250	7 - 1/4	7 - 7/8	5/16	0.344	7.875	7.873	7.250	7.250	7.252	7.875
	31207250625			5/8	0.688						
	31207375	7 - 3/8	8	5/16	0.344	8.000	7.998	7.375	7.375	7.377	8.000
	31207375625			5/8	0.688						
Tolerance Limits					+0.010 -0.000	+0.004 -0.000	+0.000 -0.002	+0.000 -0.005	+0.000 -0.002	+0.004 -0.000	+0.005 -0.000
3/8"	37500500	1/2	1 - 1/4	3/8	0.413	1.250	1.248	0.500	0.500	0.502	1.250
	37500500625			5/8	0.688						
	37500562	9/16	1 - 5/16	3/8	0.413	1.312	1.310	0.562	0.562	0.564	1.312
	37500562625			5/8	0.688						
	37500625	5/8	1 - 3/8	3/8	0.413	1.375	1.373	0.625	0.625	0.627	1.375
	37500625625			5/8	0.688						
	37500687	11/16	1 - 7/16	3/8	0.413	1.437	1.435	0.687	0.687	0.689	1.437
	37500687625			5/8	0.688						
	37500750	3/4	1 - 1/2	3/8	0.413	1.500	1.498	0.750	0.750	0.752	1.500
	37500750625			5/8	0.688						
	37500812	13/16	1 - 9/16	3/8	0.413	1.562	1.560	0.812	0.812	0.814	1.562
	37500812625			5/8	0.688						
	37500875	7/8	1 - 5/8	3/8	0.413	1.625	1.623	0.875	0.875	0.877	1.625
	37500875625			5/8	0.688						
	37500937	15/16	1 - 11/16	3/8	0.413	1.687	1.685	0.937	0.937	0.939	1.687
	37500937625			5/8	0.688						
	37501000	1	1 - 3/4	3/8	0.413	1.750	1.748	1.000	1.000	1.002	1.750
	37501000625			5/8	0.688						
	37501062	1 - 1/16	1 - 13/16	3/8	0.413	1.812	1.810	1.062	1.062	1.064	1.812
	37501062625			5/8	0.688						
	37501125	1 - 1/8	1 - 7/8	3/8	0.413	1.875	1.873	1.125	1.125	1.127	1.875
	37501125625			5/8	0.688						
	37501187	1 - 3/16	1 - 15/16	3/8	0.413	1.937	1.935	1.187	1.187	1.189	1.937
	37501187625			5/8	0.688						
	37501250	1 - 1/4	2	3/8	0.413	2.000	1.998	1.250	1.250	1.252	2.000
	37501250625			5/8	0.688						
	37501312	1 - 5/16	2 - 1/16	3/8	0.413	2.062	2.060	1.312	1.312	1.314	2.062
	37501312625			5/8	0.688						
	37501375	1 - 3/8	2 - 1/8	3/8	0.413	2.125	2.123	1.375	1.375	1.377	2.125
	37501375625			5/8	0.688						
	37501437	1 - 7/16	2 - 3/16	3/8	0.413	2.187	2.185	1.437	1.437	1.439	2.187
	37501437625			5/8	0.688						
	37501500	1 - 1/2	2 - 1/4	3/8	0.413	2.250	2.248	1.500	1.500	1.502	2.250
	37501500625			5/8	0.688						
	37501625	1 - 5/8	2 - 3/8	3/8	0.413	2.375	2.373	1.625	1.625	1.627	2.375
	37501625625			5/8	0.688						
	37501750	1 - 3/4	2 - 1/2	3/8	0.413	2.500	2.498	1.750	1.750	1.752	2.500
	37501750625			5/8	0.688						
	37501875	1 - 7/8	2 - 5/8	3/8	0.413	2.625	2.623	1.875	1.875	1.877	2.625
	37501875625			5/8	0.688						

Loaded U-Cups

C/S (Width)	Size Number	Nom I.D.	Nom O.D.	Nom Height	C		Piston Applications				Shaft Applications		
					Groove Width	Tolerance Limits	A Bore Dia.	D Piston Dia.	B Groove Dia.	E Shaft Dia.	F Throat Dia.	G Groove Dia.	
						+0.010 -0.000	+0.004 -0.000	+0.000 -0.002	+0.000 -0.005	+0.000 -0.002	+0.004 -0.000	+0.005 -0.000	
3/8"	37502000	2	2 - 3/4	3/8	0.413	2.750	2.748	2.000	2.000	2.002	2.750		
	37502000625			5/8	0.688								
	37502125	2 - 1/8	2 - 7/8	3/8	0.413	2.875	2.873	2.125	2.125	2.127	2.875		
	37502125625			5/8	0.688								
	37502250	2 - 1/4	3	3/8	0.413	3.000	2.998	2.250	2.250	2.252	3.000		
	37502250625			5/8	0.688								
	37502375	2 - 3/8	3 - 1/8	3/8	0.413	3.125	3.123	2.375	2.375	2.377	3.125		
	37502375625			5/8	0.688								
	37502500	2 - 1/2	3 - 1/4	3/8	0.413	3.250	3.248	2.500	2.500	2.502	3.250		
	37502500625			5/8	0.688								
	37502625	2 - 5/8	3 - 3/8	3/8	0.413	3.375	3.373	2.625	2.625	2.627	3.375		
	37502625625			5/8	0.688								
	37502750	2 - 3/4	3 - 1/2	3/8	0.413	3.500	3.498	2.750	2.750	2.752	3.500		
	37502750625			5/8	0.688								
	37502875	2 - 7/8	3 - 5/8	3/8	0.413	3.625	3.623	2.875	2.875	2.877	3.625		
	37502875625			5/8	0.688								
	37503000	3	3 - 3/4	3/8	0.413	3.750	3.748	3.000	3.000	3.002	3.750		
	37503000625			5/8	0.688								
	37503125	3 - 1/8	3 - 7/8	3/8	0.413	3.875	3.873	3.125	3.125	3.127	3.875		
	37503125625			5/8	0.688								
	37503250	3 - 1/4	4	3/8	0.413	4.000	3.998	3.250	3.250	3.252	4.000		
	37503250625			5/8	0.688								
	37503375	3 - 3/8	4 - 1/8	3/8	0.413	4.125	4.123	3.375	3.375	3.377	4.125		
	37503375625			5/8	0.688								
	37503500	3 - 1/2	4 - 1/4	3/8	0.413	4.250	4.248	3.500	3.500	3.502	4.250		
	37503500625			5/8	0.688								
	37503625	3 - 5/8	4 - 3/8	3/8	0.413	4.375	4.373	3.625	3.625	3.627	4.375		
	37503625625			5/8	0.688								
	37503750	3 - 3/4	4 - 1/2	3/8	0.413	4.500	4.498	3.750	3.750	3.752	4.500		
	37503750625			5/8	0.688								
	37503875	3 - 7/8	4 - 5/8	3/8	0.413	4.625	4.623	3.875	3.875	3.877	4.625		
	37503875625			5/8	0.688								
	37504000	4	4 - 3/4	3/8	0.413	4.750	4.748	4.000	4.000	4.002	4.750		
	37504000625			5/8	0.688								
	37504125	4 - 1/8	4 - 7/8	3/8	0.413	4.875	4.873	4.125	4.125	4.127	4.875		
	37504125625			5/8	0.688								
	37504250	4 - 1/4	5	3/8	0.413	5.000	4.998	4.250	4.250	4.252	5.000		
	37504250625			5/8	0.688								
	37504375	4 - 3/8	5 - 1/8	3/8	0.413	5.125	5.123	4.375	4.375	4.377	5.125		
	37504375625			5/8	0.688								
	37504500	4 - 1/2	5 - 1/4	3/8	0.413	5.250	5.248	4.500	4.500	4.502	5.250		
	37504500625			5/8	0.688								
	37504625	4 - 5/8	5 - 3/8	3/8	0.413	5.375	5.373	4.625	4.625	4.627	5.375		
	37504625625			5/8	0.688								
	37504750	4 - 3/4	5 - 1/2	3/8	0.413	5.500	5.498	4.750	4.750	4.752	5.500		
	37504750625			5/8	0.688								

Loaded U-Cups

Loaded U-Cups

IMPERIAL SEALS

Loaded U-Cups

C/S (Width)	Size Number	Nom I.D.	Nom O.D.	Nom Height	Piston Applications			Shaft Applications			
					C Groove Width	A Bore Dia.	D Piston Dia.	B Groove Dia.	E Shaft Dia.	F Throat Dia.	G Groove Dia.
Tolerance Limits					+0.010 -0.000	+0.004 -0.000	+0.000 -0.002	+0.000 -0.005	+0.000 -0.002	+0.004 -0.000	+0.005 -0.000
3/8"	37504875	4 - 7/8	5 - 5/8	3/8	0.413	5.625	5.623	4.875	4.875	4.877	5.625
	3750487625			5/8	0.688						
	3705000	5	5 - 3/4	3/8	0.413	5.750	5.748	5.000	5.000	5.002	5.750
	3750000625			5/8	0.688						
	37505125	5 - 1/8	5 - 7/8	3/8	0.413	5.875	5.873	5.125	5.125	5.127	5.875
	37505125625			5/8	0.688						
	37505250	5 - 1/4	6	3/8	0.413	6.000	5.998	5.250	5.250	5.252	6.000
	37505250625			5/8	0.688						
	37505375	5 - 3/8	6 - 1/8	3/8	0.413	6.125	6.123	5.375	5.375	5.377	6.125
	37505375625			5/8	0.688						
	37505500	5 - 1/2	6 - 1/4	3/8	0.413	6.250	6.248	5.500	5.500	5.502	6.250
	37505500625			5/8	0.688						
	37505625	5 - 5/8	6 - 3/8	3/8	0.413	6.375	6.373	5.625	5.625	5.627	6.375
	37505625625			5/8	0.688						
	37505750	5 - 3/4	6 - 1/2	3/8	0.413	6.500	6.498	5.750	5.750	5.752	6.500
	37505750625			5/8	0.688						
	37505875	5 - 7/8	6 - 5/8	3/8	0.413	6.625	6.623	5.875	5.875	5.877	6.625
	37505875625			5/8	0.688						
	37506000	6	6 - 3/4	3/8	0.413	6.750	6.748	6.000	6.000	6.002	6.750
	37506000625			5/8	0.688						
	37506250	6 - 1/4	7	3/8	0.413	7.000	6.998	6.250	6.250	6.252	7.000
	37506250625			5/8	0.688						
	37506500	6 - 1/2	7 - 1/4	3/8	0.413	7.250	7.248	6.500	6.500	6.502	7.250
	37506500625			5/8	0.688						
	37506750	6 - 3/4	7 - 1/2	3/8	0.413	7.500	7.498	6.750	6.750	6.752	7.500
	37506750625			5/8	0.688						
	37507000	7	7 - 3/4	3/8	0.413	7.750	7.748	7.000	7.000	7.002	7.750
	37507000625			5/8	0.688						
	37507250	7 - 1/4	8	3/8	0.413	8.000	7.998	7.250	7.250	7.252	8.000
	37507250625			5/8	0.688						
	37507500	7 - 1/2	8 - 1/4	3/8	0.413	8.250	8.248	7.500	7.500	7.502	8.250
	37507500625			5/8	0.688						
	37507750	7 - 3/4	8 - 1/2	3/8	0.413	8.500	8.498	7.750	7.750	7.752	8.500
	37507750625			5/8	0.688						
	37508000	8	8 - 3/4	3/8	0.413	8.750	8.748	8.000	8.000	8.002	8.750
	37508000625			5/8	0.688						
	3750 8250	8 - 1/4	9	3/8	0.413	9.000	8.998	8.250	8.250	8.252	9.000
	37508250625			5/8	0.688						
	37508500	8 - 1/2	9 - 1/4	3/8	0.413	9.250	9.248	8.500	8.500	8.502	9.250
	37508500625			5/8	0.688						
	37508750	8 - 3/4	9 - 1/2	3/8	0.413	9.500	9.498	8.750	8.750	8.752	9.500
	37508750625			5/8	0.688						
	37509000	9	9 - 3/4	3/8	0.413	9.750	9.748	9.000	9.000	9.002	9.750
	37509000625			5/8	0.688						
	37509250	9 - 1/4	10	3/8	0.413	10.000	9.998	9.250	9.250	9.252	10.000
	37509250625			5/8	0.688						

Loaded U-Cups

Loaded U-Cups

C/S (Width)	Size Number	Nom I.D.	Nom O.D.	Nom Height	Piston Applications				Shaft Applications		
					C Groove Width	A Bore Dia.	D Piston Dia.	B Groove Dia.	E Shaft Dia.	F Throat Dia.	G Groove Dia.
Tolerance Limits					+0.010 -0.000	+0.004 -0.000	+0.000 -0.002	+0.000 -0.005	+0.000 -0.002	+0.004 -0.000	+0.005 -0.000
3/8"	37509500	9 - 1/2	10 - 1/4	3/8	0.413	10.250	10.248	9.500	9.500	9.502	10.250
	37509500625			5/8	0.688						
	37509750	9 - 3/4	10 - 1/2	3/8	0.413	10.500	10.498	9.750	9.750	9.752	10.500
	37509750625			5/8	0.688						
	375010000	10	10 - 3/4	3/8	0.413	10.750	10.748	10.000	10.000	10.002	10.750
	375010000625			5/8	0.688						
	375010250	10 - 1/4	11	3/8	0.413	11.000	10.998	10.250	10.250	10.252	11.000
	375010250625			5/8	0.688						
	375010500	10 - 1/2	11 - 1/4	3/8	0.413	11.250	11.248	10.500	10.500	10.502	11.250
	375010500625			5/8	0.688						
	375010750	10 - 3/4	11 - 1/2	3/8	0.413	11.500	11.498	10.750	10.750	10.752	11.500
	375010750625			5/8	0.688						
	375011000	11	11 - 3/4	3/8	0.413	11.750	11.748	11.000	11.000	11.002	11.750
	375011000625			5/8	0.688						
	375011250	11 - 1/4	12	3/8	0.413	12.000	11.998	11.250	11.250	11.252	12.000
	375011250625			5/8	0.688						
	375011500	11 - 1/2	12 - 1/4	3/8	0.413	12.250	12.248	11.500	11.500	11.502	12.250
	375011500625			5/8	0.688						
	375011750	11 - 3/4	12 - 1/2	3/8	0.413	12.500	12.498	11.750	11.750	11.752	12.500
	375011750625			5/8	0.688						
	375012000	12	12 - 3/4	3/8	0.413	12.750	12.748	12.000	12.000	12.002	12.750
	375012000625			5/8	0.688						
Tolerance Limits					+0.010 -0.000	+0.005 -0.000	+0.000 -0.003	+0.000 -0.007	+0.000 -0.003	+0.005 -0.000	+0.007 -0.000
1/2"	50001000	1	2	1/2	0.550	2.000	1.998	1.000	1.000	1.002	2.000
	50001000750			3/4	0.825						
	50001250	1 - 1/4	2 - 1/4	1/2	0.550	2.250	2.248	1.250	1.250	1.252	2.250
	50001250750			3/4	0.825						
	50001375	1 - 3/8	2 - 3/8	1/2	0.550	2.375	2.373	1.375	1.375	1.377	2.375
	50001375750			3/4	0.825						
	50001500	1 - 1/2	2 - 1/2	1/2	0.550	2.500	2.498	1.500	1.500	1.502	2.500
	50001500750			3/4	0.825						
	50001750	1 - 3/4	2 - 3/4	1/2	0.550	2.750	2.748	1.750	1.750	1.752	2.750
	50001750750			3/4	0.825						
	50002000	2	3	1/2	0.550	3.000	2.998	2.000	2.000	2.002	3.000
	50002000750			3/4	0.825						
	50002250	2 - 1/4	3 - 1/4	1/2	0.550	3.250	3.248	2.250	2.250	2.252	3.250
	50002250750			3/4	0.825						
	50002375	2 - 3/8	3 - 3/8	1/2	0.550	3.375	3.373	2.375	2.375	2.377	3.375
	50002375750			3/4	0.825						
	50002500	2 - 1/2	3 - 1/2	1/2	0.550	3.500	3.498	2.500	2.500	2.502	3.500
	50002500750			3/4	0.825						
	50002750	2 - 3/4	3 - 3/4	1/2	0.550	3.750	3.748	2.750	2.750	2.752	3.750
	50002750750			3/4	0.825						
	50003000	3	4	1/2	0.550	4.000	3.998	3.000	3.000	3.002	4.000
	50003000750			3/4	0.825						

Loaded U-Cups

IMPERIAL SEALS

Loaded U-Cups

C/S (Width)	Size Number	Nom I.D.	Nom O.D.	Nom Height	Piston Applications				Shaft Applications		
					C Groove Width	A Bore Dia.	D Piston Dia.	B Groove Dia.	E Shaft Dia.	F Throat Dia.	G Groove Dia.
Tolerance Limits					+0.010 -0.000	+0.005 -0.000	+0.000 -0.003	+0.000 -0.007	+0.000 -0.003	+0.005 -0.000	+0.007 -0.000
1/2"	50003250	3 - 1/4	4 - 1/4	1/2	0.550	4.250	4.248	3.250	3.250	3.252	4.250
	50003250750			3/4	0.825						
	50003500	3 - 1/2	4 - 1/2	1/2	0.550	4.500	4.498	3.500	3.500	3.502	4.500
	50003500750			3/4	0.825						
	50003750	3 - 3/4	4 - 3/4	1/2	0.550	4.750	4.748	3.750	3.750	3.752	4.750
	50003750750			3/4	0.825						
	50004000	4	5	1/2	0.550	5.000	4.998	4.000	4.000	4.002	5.000
	50004000750			3/4	0.825						
	50004250	4 - 1/4	5 - 1/4	1/2	0.550	5.250	5.248	4.250	4.250	4.252	5.250
	50004250750			3/4	0.825						
	50004375	4 - 3/8	5 - 3/8	1/2	0.550	5.375	5.373	4.375	4.375	4.377	5.375
	50004375750			3/4	0.825						
	50004500	4 - 1/2	5 - 1/2	1/2	0.550	5.500	5.498	4.500	4.500	4.502	5.500
	50004500750			3/4	0.825						
	50004750	4 - 3/4	5 - 3/4	1/2	0.550	5.750	5.748	4.750	4.750	4.752	5.750
	50004750750			3/4	0.825						
	50005000	5	6	1/2	0.550	6.000	5.998	5.000	5.000	5.002	6.000
	50005000750			3/4	0.825						
	50005250	5 - 1/4	6 - 1/4	1/2	0.550	6.250	6.248	5.250	5.250	5.252	6.250
	50005250750			3/4	0.825						
	50005375	5 - 3/8	6 - 3/8	1/2	0.550	6.375	6.373	5.375	5.375	5.377	6.375
	50005375750			3/4	0.825						
	50005500	5 - 1/2	6 - 1/2	1/2	0.550	6.500	6.498	5.500	5.500	5.502	6.500
	50005500750			3/4	0.825						
	50005750	5 - 3/4	6 - 3/4	1/2	0.550	6.750	6.748	5.750	5.750	5.752	6.750
	50005750750			3/4	0.825						
	50006000	6	7	1/2	0.550	7.000	6.998	6.000	6.000	6.002	7.000
	50006000750			3/4	0.825						
	50006250	6 - 1/4	7 - 1/4	1/2	0.550	7.250	7.248	6.250	6.250	6.252	7.250
	50006250750			3/4	0.825						
	50006500	6 - 1/2	7 - 1/2	1/2	0.550	7.500	7.498	6.500	6.500	6.502	7.500
	50006500750			3/4	0.825						
	50006750	6 - 3/4	7 - 3/4	1/2	0.550	7.750	7.748	6.750	6.750	6.752	7.750
	50006750750			3/4	0.825						
	50007000	7	8	1/2	0.550	8.000	7.998	7.000	7.000	7.002	8.000
	50007000750			3/4	0.825						
	50007250	7 - 1/4	8 - 1/4	1/2	0.550	8.250	8.248	7.250	7.250	7.252	8.250
	50007250750			3/4	0.825						
	50007500	7 - 1/2	8 - 1/2	1/2	0.550	8.500	8.498	7.500	7.500	7.502	8.500
	50007500750			3/4	0.825						
	50007750	7 - 3/4	8 - 3/4	1/2	0.550	8.750	8.748	7.750	7.750	7.752	8.750
	50007750750			3/4	0.825						
	50008000	8	9	1/2	0.550	9.000	8.998	8.000	8.000	8.002	9.000
	50008000750			3/4	0.825						
	50008250	8 - 1/4	9 - 1/4	1/2	0.550	9.250	9.248	8.250	8.250	8.252	9.250
	50008250750			3/4	0.825						

Loaded U-Cups

Loaded U-Cups

C/S (Width)	Size Number	Nom I.D.	Nom O.D.	Nom Height	Piston Applications				Shaft Applications		
					C Groove Width	A Bore Dia.	D Piston Dia.	B Groove Dia.	E Shaft Dia.	F Throat Dia.	G Groove Dia.
Tolerance Limits					+0.010 -0.000	+0.005 -0.000	+0.000 -0.003	+0.000 -0.007	+0.000 -0.003	+0.005 -0.000	+0.007 -0.000
1/2"	50008500	8 - 1/2	9 - 1/2	1/2	0.550	9.500	9.498	8.500	8.500	8.502	9.500
	50008500750			3/4	0.825						
	50008750	8 - 3/4	9 - 3/4	1/2	0.550	9.750	9.748	8.750	8.750	8.752	9.750
	50008750750			3/4	0.825						
	50009000	9	10	1/2	0.550	10.000	9.998	9.000	9.000	9.002	10.000
	50009000750			3/4	0.825						
	50009250	9 - 1/4	10 - 1/4	1/2	0.550	10.250	10.248	9.250	9.250	9.252	10.250
	50009250750			3/4	0.825						
	50009500	9 - 1/2	10 - 1/2	1/2	0.550	10.500	10.498	9.500	9.500	9.502	10.500
	50009500750			3/4	0.825						
	50009750	9 - 3/4	10 - 3/4	1/2	0.550	10.750	10.748	9.750	9.750	9.752	10.750
	50009750750			3/4	0.825						
	500010000	10	11	1/2	0.550	11.000	10.998	10.000	10.000	10.002	11.000
	500010000750			3/4	0.825						
	500010500	10 - 1/2	11 - 1/2	1/2	0.550	11.500	11.498	10.500	10.500	10.502	11.500
	500010500750			3/4	0.825						
	500011000	11	12	1/2	0.550	12.000	11.998	11.000	11.000	11.002	12.000
	500011000750			3/4	0.825						
	500011500	11 - 1/2	12 - 1/2	1/2	0.550	12.500	12.498	11.500	11.500	11.502	12.500
	500011500750			3/4	0.825						
	500012000	12	13	1/2	0.550	13.000	12.998	12.000	12.000	12.002	13.000
	500012000750			3/4	0.825						
	500012500	12 - 1/2	13 - 1/2	1/2	0.550	13.500	13.498	12.500	12.500	12.502	13.500
	500012500750			3/4	0.825						
	500013000	13	14	1/2	0.550	14.000	13.998	13.000	13.000	13.002	14.000
	500013000750			3/4	0.825						
	500013500	13 - 1/2	14 - 1/2	1/2	0.550	14.500	14.498	13.500	13.500	13.502	14.500
	500013500750			3/4	0.825						
	500014000	14	15	1/2	0.550	15.000	14.998	14.000	14.000	14.002	15.000
	500014000750			3/4	0.825						
	500014500	14 - 1/2	15 - 1/2	1/2	0.550	15.500	15.498	14.500	14.500	14.502	15.500
	500014500750			3 / 4	0.825						
	500015000	15	16	1/2	0.550	16.000	15.998	15.000	15.000	15.002	16.000
	500015000750			3/4	0.825						
Tolerance Limits					+0.010 -0.000	+0.006 -0.000	+0.000 -0.003	+0.000 -0.009	+0.000 -0.003	+0.006 -0.000	+0.009 -0.000
	62501250	1 - 1/4	2 - 1/2	5/8	0.688	2.500	2.497	1.250	1.250	1.253	2.500
	62501250100			1	1.100						
	62501375	1 - 3/8	2 - 5/8	5/8	0.688	2.625	2.622	1.375	1.375	1.378	2.625
	62501375100			1	1.100						
	62501500	1 - 1/2	2 - 3/4	5/8	0.688	2.750	2.747	1.500	1.500	1.503	2.750
	62501500100			1	1.100						
	62501750	1 - 3/4	3	5/8	0.688	3.000	2.997	1.750	1.750	1.753	3.000
	62501750100			1	1.100						
	62502000	2	3 - 1/4	5/8	0.688	3.250	3.247	2.000	2.000	2.003	3.250
	62502000100			1	1.100						

Loaded U-Cups

IMPERIAL SEALS

C/S (Width)	Size Number	Nom I.D.	Nom O.D.	Nom Height	Piston Applications				Shaft Applications		
					C Groove Width	A Bore Dia.	D Piston Dia.	B Groove Dia.	E Shaft Dia.	F Throat Dia.	G Groove Dia.
Tolerance Limits					+0.010 -0.000	+0.006 -0.000	+0.000 -0.003	+0.000 -0.009	+0.000 -0.003	+0.006 -0.000	+0.009 -0.000
5/8"	62502250	2 - 1/4	3 - 1/2	5/8	0.688	3.500	3.497	2.250	2.250	2.253	3.500
	62502250100			1	1.100						
	62502500	2 - 1/2	3 - 3/4	5/8	0.688	3.750	3.747	2.500	2.500	2.503	3.750
	62502500100			1	1.100						
	62502750	2 - 3/4	4	5/8	0.688	4.000	3.997	2.750	2.750	2.753	4.000
	62502750100			1	1.100						
	62503000	3	4 - 1/4	5/8	0.688	4.250	4.247	3.000	3.000	3.003	4.250
	62503000100			1	1.100						
	62503250	3 - 1/4	4 - 1/2	5/8	0.688	4.500	4.497	3.250	3.250	3.253	4.500
	62503250100			1	1.100						
	62503500	3 - 1/2	4 - 3/4	5/8	0.688	4.750	4.747	3.500	3.500	3.503	4.750
	62503500100			1	1.100						
	62503750	3 - 3/4	5	5/8	0.688	5.000	4.997	3.750	3.750	3.753	5.000
	62503750100			1	1.100						
	62504000	4	5 - 1/4	5/8	0.688	5.250	5.247	4.000	4.000	4.003	5.250
	62504000100			1	1.100						
	62504250	4 - 1/4	5 - 1/2	5/8	0.688	5.500	5.497	4.250	4.250	4.253	5.500
	62504250100			1	1.100						
	62504500	4 - 1/2	5 - 3/4	5/8	0.688	5.750	5.747	4.500	4.500	4.503	5.750
	62504500100			1	1.100						
	62504750	4 - 3/4	6	5/8	0.688	6.000	5.997	4.750	4.750	4.753	6.000
	62504750100			1	1.100						
	62505000	5	6 - 1/4	5/8	0.688	6.250	6.247	5.000	5.000	5.003	6.250
	62505000100			1	1.100						
	62505250	5 - 1/4	6 - 1/2	5/8	0.688	6.500	6.447	5.250	5.250	5.253	6.500
	62505250100			1	1.100						
	62505500	5 - 1/2	6 - 3/4	5/8	0.688	6.750	6.747	5.500	5.500	5.503	6.750
	62505500100			1	1.100						
	62505750	5 - 3/4	7	5/8	0.688	7.000	6.997	5.750	5.750	5.753	7.000
	62505750100			1	1.100						
	62506000	6	7 - 1/4	5/8	0.688	7.250	7.247	6.000	6.000	6.003	7.250
	62506000100			1	1.100						
	62506250	6 - 1/4	7 - 1/2	5/8	0.688	7.500	7.497	6.250	6.250	6.253	7.500
	62506250100			1	1.100						
	62506500	6 - 1/2	7 - 3/4	5/8	0.688	7.750	7.747	6.500	6.500	6.503	7.750
	62506500100			1	1.100						
	62506750	6 - 3/4	8	5/8	0.688	8.000	7.997	6.750	6.750	6.753	8.000
	62506750100			1	1.100						
	62507000	7	8 - 1/4	5/8	0.688	8.250	8.247	7.000	7.000	7.003	8.250
	62507000100			1	1.100						
	62507250	7 - 1/4	8 - 1/2	5/8	0.688	8.500	8.497	7.250	7.250	7.253	8.500
	62507250100			1	1.100						
	62507500	7 - 1/2	8 - 3/4	5/8	0.688	8.750	8.747	7.500	7.500	7.503	8.750
	62507500100			1	1.100						
	62507750	7 - 3/4	9	5/8	0.688	9.000	8.997	7.750	7.750	7.753	9.000
	62507750100			1	1.100						

Loaded U-Cups

Loaded U-Cups

C/S (Width)	Size Number	Nom I.D.	Nom O.D.	Nom Height	Piston Applications			Shaft Applications			
					C Groove Width	A Bore Dia.	D Piston Dia.	B Groove Dia.	E Shaft Dia.	F Throat Dia.	G Groove Dia.
Tolerance Limits					+0.010 -0.000	+0.006 -0.000	+0.000 -0.003	+0.000 -0.009	+0.000 -0.003	+0.006 -0.000	+0.009 -0.000
5/8"	62508000	8	9 - 1/4	5/8	0.688	9.250	9.247	8.000	8.000	8.003	9.250
	62508000100			1	1.100						
	62508250	8 - 1/4	9 - 1/2	5/8	0.688	9.500	9.497	8.250	8.250	8.253	9.500
	62508250100			1	1.100						
	62508500	8 - 1/2	9 - 3/4	5/8	0.688	9.750	9.747	8.500	8.500	8.503	9.750
	62508500100			1	1.100						
	62508750	8 - 3/4	10	5/8	0.688	10.000	9.997	8.750	8.750	8.753	10.000
	62508750100			1	1.100						
	62509000	9	10 - 1/4	5/8	0.688	10.250	10.247	9.000	9.000	9.003	10.250
	62509000100			1	1.100						
	62509250	9 - 1/4	10 - 1/2	5/8	0.688	10.500	10.497	9.250	9.250	9.253	10.500
	62509250100			1	1.100						
	62509500	9 - 1/2	10 - 3/4	5/8	0.688	10.750	10.747	9.500	9.500	9.503	10.750
	62509500100			1	1.100						
	62509750	9 - 3/4	11	5/8	0.688	11.000	10.997	9.750	9.750	9.753	11.000
	62509750100			1	1.100						
	625010000	10	11 - 1/4	5/8	0.688	11.250	11.247	10.000	10.000	10.003	11.250
	625010000100			1	1.100						
	625010250	10 - 1/4	11 - 1/2	5/8	0.688	11.500	11.497	10.250	10.250	10.253	11.500
	625010250100			1	1.100						
	625010500	10 - 1/2	11 - 3/4	5/8	0.688	11.750	11.747	10.500	10.500	10.503	11.750
	625010500100			1	1.100						
	625010750	10 - 3/4	12	5/8	0.688	12.000	11.997	10.750	10.750	10.753	12.000
	625010750100			1	1.100						
	625011000	11	12 - 1/4	5/8	0.688	12.250	12.247	11.000	11.000	11.003	12.250
	625011000100			1	1.100						
	625011250	11 - 1/4	12 - 1/2	5/8	0.688	12.500	12.497	11.250	11.250	11.253	12.500
	625011250100			1	1.100						
	625011500	11 - 1/2	12 - 3/4	5/8	0.688	12.750	12.747	11.500	11.500	11.503	12.750
	625011500100			1	1.100						
	625011750	11 - 3/4	13	5/8	0.688	13.000	12.997	11.750	11.750	11.753	13.000
	625011750100			1	1.100						
	625012000	12	13 - 1/4	5/8	0.688	13.250	13.247	12.000	12.000	12.003	13.250
	625012000100			1	1.100						
	625012250	12 - 1/4	13 - 1/2	5/8	0.688	13.500	13.497	12.250	12.250	12.253	13.500
	625012250100			1	1.100						
	625012500	12 - 1/2	13 - 3/4	5/8	0.688	13.750	13.747	12.500	12.500	12.503	13.750
	625012500100			1	1.100						
	625012750	12 - 3/4	14	5/8	0.688	14.000	13.997	12.750	12.750	12.753	14.000
	625012750100			1	1.100						
	625013000	13	14 - 1/4	5/8	0.688	14.250	14.247	13.000	13.000	13.003	14.250
	625013000100			1	1.100						
	625013250	13 - 1/4	14 - 1/2	5/8	0.688	14.500	14.497	13.250	13.250	13.253	14.500
	625013250100			1	1.100						
	625013500	13 - 1/2	14 - 3/4	5/8	0.688	14.750	14.747	13.500	13.500	13.503	14.750
	625013500100			1	1.100						

Loaded U-Cups

Loaded U-Cups

IMPERIAL SEALS

Loaded U-Cups

C/S (Width)	Size Number	Nom I.D.	Nom O.D.	Nom Height	Piston Applications				Shaft Applications		
					C Groove Width	A Bore Dia.	D Piston Dia.	B Groove Dia.	E Shaft Dia.	F Throat Dia.	G Groove Dia.
Tolerance Limits					+0.010 -0.000	+0.006 -0.000	+0.000 -0.003	+0.000 -0.009	+0.000 -0.003	+0.006 -0.000	+0.009 -0.000
5/8"	625013750	13 - 3/4	15	5/8	0.688	15.000	14.997	13.750	13.750	13.753	15.000
	625013750100			1	1.100						
	625014000	14	15 - 1/4	5/8	0.688	15.250	15.247	14.000	14.000	14.003	15.250
	625014000100			1	1.100						
	625014250	14 - 1/4	15 - 1/2	5/8	0.688	15.500	15.497	14.250	14.250	14.253	15.500
	625014250100			1	1.100						
	625014500	14 - 1/2	15 - 3/4	5/8	0.688	15.750	15.747	14.500	14.500	14.503	15.750
	625014500100			1	1.100						
	625014750	14 - 3/4	16	5/8	0.688	16.000	15.997	14.750	14.750	14.753	16.000
	625014750100			1	1.100						
	625015000	15	16 - 1/4	5/8	0.688	16.250	16.247	15.000	15.000	15.003	16.250
	625015000100			1	1.100						
	625015500	15 - 1/2	16 - 3/4	5/8	0.688	16.750	16.747	15.500	15.500	15.503	16.750
	625015500100			1	1.100						
	625016000	16	17 - 1/4	5/8	0.688	17.250	17.247	16.000	16.000	16.003	17.250
	625016000100			1	1.100						
	625016500	16 - 1/2	17 - 3/4	5/8	0.688	17.750	17.747	16.500	16.500	16.503	17.750
	625016500100			1	1.100						
	625017000	17	18 - 1/4	5/8	0.688	18.250	18.247	17.000	17.000	17.003	18.250
	625017000100			1	1.100						
	625017500	17 - 1/2	18 - 3/4	5/8	0.688	18.750	18.747	17.500	17.500	17.503	18.750
	625017500100			1	1.100						
	625018000	18	19 - 1/4	5/8	0.688	19.250	19.247	18.000	18.000	18.003	19.250
	625018000100			1	1.100						
Tolerance Limits					+0.010 -0.000	+0.007 -0.000	+0.000 -0.004	+0.000 -0.011	+0.000 -0.004	+0.007 -0.000	+0.011 -0.000
3/4"	75003000	3	4 - 1/2	3/4	0.825	4.500	4.497	3.000	3.000	3.003	4.500
	75003000125			1 - 1/4	1.375						
	75003250	3 - 1/4	4 - 3/4	3/4	0.825	4.750	4.747	3.250	3.250	3.253	4.750
	75003250125			1 - 1/4	1.375						
	75003500	3 - 1/2	5	3/4	0.825	5.000	4.997	3.500	3.500	3.503	5.000
	75003500125			1 - 1/4	1.375						
	75003750	3 - 3/4	5 - 1/4	3/4	0.825	5.250	5.247	3.750	3.750	3.753	5.250
	75003750125			1 - 1/4	1.375						
	75004000	4	5 - 1/2	3/4	0.825	5.500	5.497	4.000	4.000	4.003	5.500
	75004000125			1 - 1/4	1.375						
	75004250	4 - 1/4	5 - 3/4	3/4	0.825	5.750	5.747	4.250	4.250	4.253	5.750
	75004250125			1 - 1/4	1.375						
	75004500	4 - 1/2	6	3/4	0.825	6.000	5.997	4.500	4.500	4.503	6.000
	75004500125			1 - 1/4	1.375						
	75004750	4 - 3/4	6 - 1/4	3/4	0.825	6.250	6.247	4.750	4.750	4.753	6.250
	75004750125			1 - 1/4	1.375						
	75005000	5	6 - 1/2	3/4	0.825	6.500	6.497	5.000	5.000	5.003	6.500
	75005000125			1 - 1/4	1.375						
	75005250	5 - 1/4	6 - 3/4	3/4	0.825	6.750	6.747	5.250	5.250	5.253	6.750
	75005250125			1 - 1/4	1.375						
	75005500	5 - 1/2	7	3/4	0.825	7.000	6.997	5.500	5.500	5.503	7.000
	75005500125			1 - 1/4	1.375						

Loaded U-Cups

C/S (Width)	Size Number	Nom I.D.	Nom O.D.	Nom Height	Piston Applications				Shaft Applications		
					C	A	D	B	E	F	G
					Groove Width	Bore Dia.	Piston Dia.	Groove Dia.	Shaft Dia.	Throat Dia.	Groove Dia.
Tolerance Limits					+0.010 -0.000	+0.007 -0.000	+0.000 -0.004	+0.000 -0.011	+0.000 -0.004	+0.007 -0.000	+0.011 -0.000
3/4"	75005750	5 - 3/4	7 - 1/4	3/4	0.825	7.250	7.247	5.750	5.750	5.753	7.250
	75005750125			1 - 1/4	1.375						
	75006000	6	7 - 1/2	3/4	0.825	7.500	7.497	6.000	6.000	6.003	7.500
	75006000125			1 - 1/4	1.375						
	75006250	6 - 1/4	7 - 3/4	3/4	0.825	7.750	7.747	6.250	6.250	6.253	7.750
	75006250125			1 - 1/4	1.375						
	75006500	6 - 1/2	8	3/4	0.825	8.000	7.997	6.500	6.500	6.503	8.000
	75006500125			1 - 1/4	1.375						
	75006750	6 - 3/4	8 - 1/4	3/4	0.825	8.250	8.247	6.750	6.750	6.753	8.250
	75006750125			1 - 1/4	1.375						
	75007000	7	8 - 1/2	3/4	0.825	8.500	8.497	7.000	7.000	7.003	8.500
	75007000125			1 - 1/4	1.375						
	75007250	7 - 1/4	8 - 3/4	3/4	0.825	8.750	8.747	7.250	7.250	7.253	8.750
	75007250125			1 - 1/4	1.375						
	75007500	7 - 1/2	9	3/4	0.825	9.000	8.997	7.500	7.500	7.503	9.000
	75007500125			1 - 1/4	1.375						
	75007750	7 - 3/4	9 - 1/4	3/4	0.825	9.250	9.247	7.750	7.750	7.753	9.250
	75007750125			1 - 1/4	1.375						
	75008000	8	9 - 1/2	3/4	0.825	9.500	9.497	8.000	8.000	8.003	9.500
	75008000125			1 - 1/4	1.375						
	75008250	8 - 1/4	9 - 3/4	3/4	0.825	9.750	9.747	8.250	8.250	8.253	9.750
	75008250125			1 - 1/4	1.375						
	75008500	8 - 1/2	10	3/4	0.825	10.000	9.997	8.500	8.500	8.503	10.000
	75008500125			1 - 1/4	1.375						
	75008750	8 - 3/4	10 - 1/4	3/4	0.825	10.250	10.247	8.750	8.750	8.753	10.250
	75008750125			1 - 1/4	1.375						
	75009000	9	10 - 1/2	3/4	0.825	10.500	10.447	9.000	9.000	9.003	10.500
	75009000125			1 - 1/4	1.375						
	75009250	9 - 1/4	10 - 3/4	3/4	0.825	10.750	10.747	9.250	9.250	9.253	10.750
	75009250125			1 - 1/4	1.375						
	75009500	9 - 1/2	11	3/4	0.825	11.000	10.997	9.500	9.500	9.503	11.000
	75009500125			1 - 1/4	1.375						
	75009750	9 - 3/4	11 - 1/4	3/4	0.825	11.250	11.247	9.750	9.750	9.753	11.250
	75009750125			1 - 1/4	1.375						
	750010000	10	11 - 1/2	3/4	0.825	11.500	11.497	10.000	10.000	10.003	11.500
	750010000125			1 - 1/4	1.375						
	750010500	10 - 1/2	12	3/4	0.825	12.000	11.997	10.500	10.500	10.503	12.000
	750010500125			1 - 1/4	1.375						
	750011000	11	12 - 1/2	3/4	0.825	12.500	12.497	11.000	11.000	11.003	12.500
	750011000125			1 - 1/4	1.375						
	750011500	11 - 1/2	13	3/4	0.825	13.000	12.997	11.500	11.500	11.503	13.000
	750011500125			1 - 1/4	1.375						
	750012000	12	13 - 1/2	3/4	0.825	13.500	13.497	12.000	12.000	12.003	13.500
	750012000125			1 - 1/4	1.375						
	750012500	12 - 1/2	14	3/4	0.825	14.000	13.997	12.500	12.500	12.503	14.000
	750012500125			1 - 1/4	1.375						

Loaded U-Cups

Loaded U-Cups

IMPERIAL SEALS

Loaded U-Cups

C/S (Width)	Size Number	Nom I.D.	Nom O.D.	Nom Height	C Groove Width	Piston Applications			Shaft Applications			
						A Bore Dia.	D Piston Dia.	B Groove Dia.	E Shaft Dia.	F Throat Dia.	G Groove Dia.	
					Tolerance Limits	+0.010 -0.000	+0.007 -0.000	+0.000 -0.004	+0.000 -0.011	+0.000 -0.004	+0.007 -0.000	+0.011 -0.000
3/4"	750013000	13	14 - 1/2	3/4	0.825	14.500	14.497	13.000	13.000	13.003	14.500	
	750013000125			1 - 1/4	1.375							
	750013500	13 - 1/2	15	3/4	0.825	15.000	14.997	13.500	13.500	13.503	15.000	
	750013500125			1 - 1/4	1.375							
	750014000	14	15 - 1/2	3/4	0.825	15.500	15.497	14.000	14.000	14.003	15.500	
	750014000125			1 - 1/4	1.375							
	750014500	14 - 1/2	16	3/4	0.825	16.000	15.997	14.500	14.500	14.503	16.000	
	750014500125			1 - 1/4	1.375							
	750015000	15	16 - 1/2	3/4	0.825	16.500	16.497	15.000	15.000	15.003	16.500	
	750015000125			1 - 1/4	1.375							
	750015500	15 - 1/2	17	3/4	0.825	17.000	16.997	15.500	15.500	15.503	17.000	
	750015500125			1 - 1/4	1.375							
	750016000	16	17 - 1/2	3/4	0.825	17.500	17.497	16.000	16.000	16.003	17.500	
	750016000125			1 - 1/4	1.375							
	750016500	16 - 1/2	18	3/4	0.825	18.000	17.997	16.500	16.500	16.503	18.000	
	750016500125			1 - 1/4	1.375							
	750017000	17	18 - 1/2	3/4	0.825	18.500	18.497	17.000	17.000	17.003	18.500	
	750017000125			1 - 1/4	1.375							
	750017500	17 - 1/2	19	3/4	0.825	19.000	18.997	17.500	17.500	17.503	19.000	
	750017500125			1 - 1/4	1.375							
	750018000	18	19 - 1/2	3/4	0.825	19.500	19.497	18.000	18.000	18.003	19.500	
	750018000125			1 - 1/4	1.375							
	750018500	18 - 1/2	20	3/4	0.825	20.000	19.997	18.500	18.500	18.503	20.000	
	750018500125			1 - 1/4	1.375							
	750019000	19	20 - 1/2	3/4	0.825	20.500	20.497	19.000	19.000	19.003	20.500	
	750019000125			1 - 1/4	1.375							
	750019500	19 - 1/2	21	3/4	0.825	21.000	20.997	19.500	19.500	19.503	21.000	
	750019500125			1 - 1/4	1.375							
	750020000	20	21 - 1/2	3/4	0.825	21.500	21.497	20.000	20.000	20.003	21.500	
	750020000125			1 - 1/4	1.375							
					Tolerance Limits	+0.010 -0.000	+0.009 -0.000	+0.000 -0.005	+0.000 -0.015	+0.000 -0.005	+0.009 -0.000	+0.015 -0.000
1"	10003000	3	5	1	1.100	5.000	4.996	3.000	3.000	3.004	5.000	
	10003000150			1 - 1/2	1.650							
	10003500	3 - 1/2	5 - 1/2	1	1.100	5.500	5.496	3.500	3.500	3.504	5.500	
	10003500150			1 - 1/2	1.650							
	10004000	4	6	1	1.100	6.000	5.996	4.000	4.000	4.004	6.000	
	10004000150			1 - 1/2	1.650							
	10004500	4 - 1/2	6 - 1/2	1	1.100	6.500	6.496	4.500	4.500	4.504	6.500	
	10004500150			1 - 1/2	1.650							
	10005000	5	7	1	1.100	7.000	6.996	5.000	5.000	5.004	7.000	
	10005000150			1 - 1/2	1.650							
	10005500	5 - 1/2	7 - 1/2	1	1.100	7.500	7.496	5.500	5.500	5.504	7.500	
	10005500150			1 - 1/2	1.650							
	10006000	6	8	1	1.100	8.000	7.996	6.000	6.000	6.004	8.000	
	10006000150			1 - 1/2	1.650							

Loaded U-Cups

Loaded U-Cups

C/S (Width)	Size Number	Nom I.D.	Nom O.D.	Nom Height	Piston Applications				Shaft Applications		
					C Groove Width	A Bore Dia.	D Piston Dia.	B Groove Dia.	E Shaft Dia.	F Throat Dia.	G Groove Dia.
Tolerance Limits					+0.010 -0.000	+0.009 -0.000	+0.000 -0.005	+0.000 -0.015	+0.000 -0.005	+0.009 -0.000	+0.015 -0.000
1"	10006500	6 - 1/2	8 - 1/2	1	1.100	8.500	8.496	6.500	6.500	6.504	8.500
	10006500150			1 - 1/2	1.650						
	10007000	7	9	1	1.100	9.000	8.996	7.000	7.000	7.004	9.000
	10007000150			1 - 1/2	1.650						
	10007500	7 - 1/2	9 - 1/2	1	1.100	9.500	9.496	7.500	7.500	7.504	9.500
	10007500150			1 - 1/2	1.650						
	10008000	8	10	1	1.100	10.000	9.996	8.000	8.000	8.004	10.000
	10008000150			1 - 1/2	1.650						
	10008500	8 - 1/2	10 - 1/2	1	1.100	10.500	10.496	8.500	8.500	8.504	10.500
	10008500150			1 - 1/2	1.650						
	10009000	9	11	1	1.100	11.000	10.996	9.000	9.000	9.004	11.000
	10009000150			1 - 1/2	1.650						
	10009500	9 - 1/2	11 - 1/2	1	1.100	11.500	11.496	9.500	9.500	9.504	11.500
	10009500150			1 - 1/2	1.650						
	100010000	10	12	1	1.100	12.000	11.996	10.000	10.000	10.004	12.000
	100010000150			1 - 1/2	1.650						
	100010500	10 - 1/2	12 - 1/2	1	1.100	12.500	12.496	10.500	10.500	10.504	12.500
	100010500150			1 - 1/2	1.650						
	100011000	11	13	1	1.100	13.000	12.996	11.000	11.000	11.004	13.000
	100011000150			1 - 1/2	1.650						
	100011500	11 - 1/2	13 - 1/2	1	1.100	13.500	13.496	11.500	11.500	11.504	13.500
	100011500150			1 - 1/2	1.650						
	100012000	12	14	1	1.100	14.000	13.996	12.000	12.000	12.004	14.000
	100012000150			1 - 1/2	1.650						
	100012500	12 - 1/2	14 - 1/2	1	1.100	14.500	14.496	12.500	12.500	12.504	14.500
	100012500150			1 - 1/2	1.650						
	100013000	13	15	1	1.100	15.000	14.996	13.000	13.000	13.004	15.000
	100013000150			1 - 1/2	1.650						
	100013500	13 - 1/2	15 - 1/2	1	1.100	15.500	15.496	13.500	13.500	13.504	15.500
	100013500150			1 - 1/2	1.650						
	100014000	14	16	1	1.100	16.000	15.996	14.000	14.000	14.004	16.000
	100014000150			1 - 1/2	1.650						
	100014500	14 - 1/2	16 - 1/2	1	1.100	16.500	16.496	14.500	14.500	14.504	16.500
	100014500150			1 - 1/2	1.650						
	100015000	15	17	1	1.100	17.000	16.996	15.000	15.000	15.004	17.000
	100015000150			1 - 1/2	1.650						
	100015500	15 - 1/2	17 - 1/2	1	1.100	17.500	17.496	15.500	15.500	15.504	17.500
	100015500150			1 - 1/2	1.650						
	100016000	16	18	1	1.100	18.000	17.996	16.000	16.000	16.004	18.000
	100016000150			1 - 1/2	1.650						
	100016500	16 - 1/2	18 - 1/2	1	1.100	18.500	18.496	16.500	16.500	16.504	18.500
	100016500150			1 - 1/2	1.650						
	100017000	17	19	1	1.100	19.000	18.996	17.000	17.000	17.004	19.000
	100017000150			1 - 1/2	1.650						
	100017500	17 - 1/2	19 - 1/2	1	1.100	19.500	19.496	17.500	17.500	17.504	19.500
	100017500150			1 - 1/2	1.650						

Loaded U-Cups

IMPERIAL SEALS

C/S (Width)	Size Number	Nom I.D.	Nom O.D.	Nom Height	C Groove Width	Piston Applications			Shaft Applications			
						A Bore Dia.	D Piston Dia.	B Groove Dia.	E Shaft Dia.	F Throat Dia.	G Groove Dia.	
						+0.010 -0.000	+0.009 -0.000	+0.000 -0.005	+0.000 -0.015	+0.000 -0.005	+0.009 -0.000	+0.015 -0.000
1"	100018000	18	20	1	1.100	20.000	19.996	18.000	18.000	18.004	20.000	
	100018000150			1 - 1/2	1.650							
	100018500	18 - 1/2	20 - 1/2	1	1.100	20.500	20.496	18.500	18.500	18.504	20.500	
	100018500150			1 - 1/2	1.650							
	100019000	19	21	1	1.100	21.000	20.996	19.000	19.000	19.004	21.000	
	100019000150			1 - 1/2	1.650							
	100019500	19 - 1/2	21 - 1/2	1	1.100	21.500	21.496	19.500	19.500	19.504	21.500	
	100019500150			1 - 1/2	1.650							
	100020000	20	22	1	1.100	22.000	21.996	20.000	20.000	20.004	22.000	
	100020000150			1 - 1/2	1.650							
	100022000	22	24	1	1.100	24.000	23.996	22.000	22.000	22.004	24.000	
	100022000150			1 - 1/2	1.650							
	100024000	24	26	1	1.100	26.000	25.996	24.000	24.000	24.004	26.000	
	100024000150			1 - 1/2	1.650							
	100026000	26	28	1	1.100	28.000	27.996	26.000	26.000	26.004	28.000	
	100026000150			1 - 1/2	1.650							
	100028000	28	30	1	1.100	30.000	29.996	28.000	28.000	28.004	30.000	
	100028000150			1 - 1/2	1.650							
	100030000	30	32	1	1.100	32.000	31.996	30.000	30.000	30.004	32.000	
	100030000150			1 - 1/2	1.650							
	100032000	32	34	1	1.100	34.000	33.996	32.000	32.000	32.004	34.000	
	100032000150			1 - 1/2	1.650							

Custom sizes available upon request. For more information, contact a Hi-Tech Seals representative.