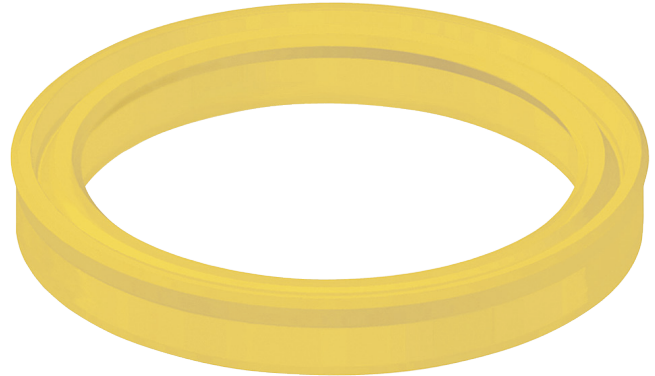


Material	Temp. Range
Urethane	-54°C to 105°C



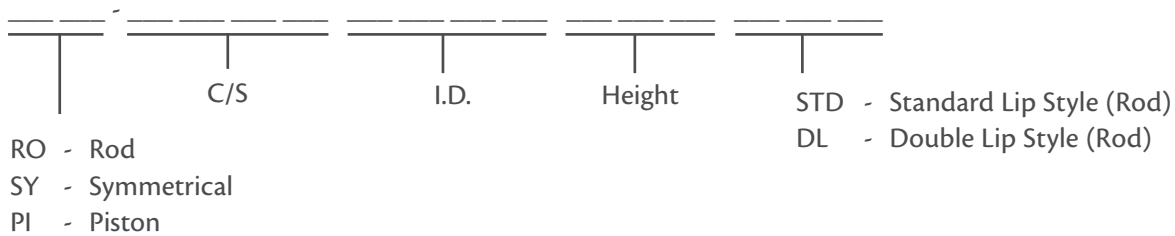
Rod (RO) Standard Lip (STD)
 Rod (RO) Double Lip (DL)
 Symmetrical (SY)
 Piston (PI)

Product Description

Urethane U-cups are designed to provide an excellent heavy duty seal for both piston and rod applications. Urethane U-cups work in both static and dynamic applications.

The non-symmetric urethane U-cups provide customers with additional benefits including reduced seal movement, increased stability in static applications, and protection of the dynamic lip during installation. Rod styles provide improved sealability on the I.D., while piston styles provide improved sealability on the O.D.

Part Numbers:

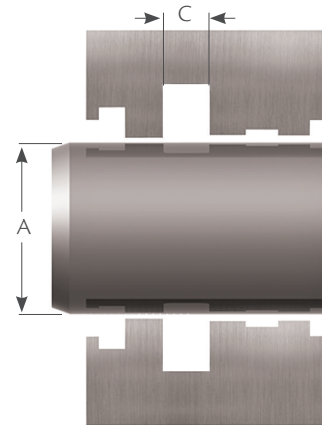


Example: RO 1870 0625 375 DL - Rod Style, Double Lip Seal, 3/16" C/S, 5/8" I.D., 3/8" Height

Urethane U-Cups

IMPERIAL SEALS

Rod Style



Urethane U-cups fit into standard and deep loaded U-cup glands. For groove dimensions please reference the loaded U-cup section, which starts on page 39.

* Can be used for RO and SY

Part Number	C/S	A Shaft Diameter	C Groove Width
RO 12500375187DL	1/8	3/8	3/16
RO 12500500187STD	1/8	1/2	3/16
RO 12500625187DL	1/8	5/8	3/16
RO 12500625250STD	1/8	5/8	1/4
RO 12500750187DL	1/8	3/4	3/16
RO 12500750250STD	1/8	3/4	1/4
RO 12501000187DL	1/8	1	3/16
RO 12501000250STD	1/8	1	1/4
RO 12501000250DL	1/8	1	1/4
RO 12501062187DL	1/8	1 - 1/16	3/16
RO 12501062250DL	1/8	1 - 1/16	1/4
RO 12501125187DL	1/8	1 - 1/8	3/16
RO 12501125250DL	1/8	1 - 1/8	1/4
RO 12501250187DL	1/8	1 - 1/4	3/16
RO 12501375250DL	1/8	1 - 3/8	1/4
RO 12501500250DL	1/8	1 - 1/2	1/4
RO 12501625250DL	1/8	1 - 5/8	1/4
RO 12501750250DL	1/8	1 - 3/4	1/4
RO 15601500312DL	5/32	1 - 1/2	5/16
RO 18700500312DL	3/16	1/2	5/16
RO 18700625250STD	3/16	5/8	1/4
RO 18700625375DL	3/16	5/8	3/8
RO 18700750312DL	3/16	3/4	5/16
RO 18700875312DL	3/16	7/8	5/16
RO 18701125312STD	3/16	1 - 1/8	5/16
RO 18701125312DL	3/16	1 - 1/8	5/16
RO 18701250250STD	3/16	1 - 1/4	1/4
RO 18701250250DL	3/16	1 - 1/4	1/4
RO 18701250312STD	3/16	1 - 1/4	5/16
RO 18701250375DL	3/16	1 - 1/4	3/8
RO 18701375312DL	3/16	1 - 3/8	5/16
RO 18701500250DL	3/16	1 - 1/2	1/4
RO 18701500250DL	3/16	1 - 1/2	1/4

Part Number	C/S	A Shaft Diameter	C Groove Width
RO 18701750250DL	3/16	1 - 3/4	1/4
RO 18701750312DL	3/16	1 - 3/4	5/16
RO 18701750375STD	3/16	1 - 3/4	3/8
RO 18701750375DL	3/16	1 - 3/4	3/8
RO 18701875375DL	3/16	1 - 7/8	3/8
RO 18702000187DL	3/16	2	3/16
RO 18702000312STD	3/16	2	5/16
RO 18702000375DL	3/16	2	3/8
RO 18702125375DL	3/16	2 - 1/8	3/8
RO 18702250312STD	3/16	2 - 1/4	5/16
RO 18702250312DL	3/16	2 - 1/4	5/16
RO 18702500312STD	3/16	2 - 1/2	5/16
RO 18702500375DL	3/16	2 - 1/2	3/8
RO 18703000375DL	3/16	3	3/8
RO 18703500375DL	3/16	3 - 1/2	3/8
RO 18704000375DL	3/16	4	3/8
RO 18704500375DL	3/16	4 - 1/2	3/8
RO 18705000375DL	3/16	5	3/8
RO 25001000250STD	1/4	1	1/4
RO 25001125375STD	1/4	1 - 1/8	3/8
RO 25001125375DL	1/4	1 - 1/8	3/8
RO 25001375375DL	1/4	1 - 3/8	3/8
RO 25001500312STD	1/4	1 - 1/2	5/16
RO 25001500375DL	1/4	1 - 1/2	3/8
RO 25001750375STD	1/4	1 - 3/4	3/8
RO 25001750375DL	1/4	1 - 3/4	3/8
RO 25001875375DL	1/4	1 - 7/8	3/8
RO 25002000375STD	1/4	2	3/8
RO 25002000375DL	1/4	2	3/8
RO 25002250375DL	1/4	2 - 1/4	3/8
RO 25002500375STD	1/4	2 - 1/2	3/8
RO 25002500375DL	1/4	2 - 1/2	3/8
RO 25002625375DL	1/4	2 - 5/8	3/8

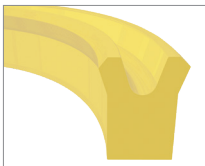
Urethane U-Cups

Rod Style

Part Number	C/S	A Shaft Diameter	C Groove Width
RO 18701500312STD	3/16	1 - 1/2	5/16
RO 18701500312DL	3/16	1 - 1/2	5/16
RO 18701500375DL	3/16	1 - 1/2	3/8
RO 25003500375STD	1/4	3 - 1/2	3/8
RO 25004000562DL	1/4	4	9/16
RO 25004500375DL	1/4	4 - 1/2	3/8
RO 25004500562STD	1/4	4 - 1/2	9/16
RO 25005500562STD	1/4	5 - 1/2	9/16
RO 31202000500DL	5/16	2	1/2
RO 31202375375STD	5/16	2 - 3/8	3/8
RO 31202500500DL	5/16	2 - 1/2	1/2
RO 31202625500DL	5/16	2 - 5/8	1/2
RO 31202750625DL	5/16	2 - 3/4	5/8
RO 31203000500DL	5/16	3	1/2
RO 31203375562DL	5/16	3 - 3/8	9/16
RO 31203500500DL	5/16	3 - 1/2	1/2

Part Number	C/S	A Shaft Diameter	C Groove Width
RO 25002625500DL	1/4	2 - 5/8	1/2
RO 25002750375DL	1/4	2 - 3/4	3/8
RO 25003000375STD	1/4	3	3/8
RO 31205250625DL	5/16	5 - 1/4	5/8
RO 31205750625STD	5/16	5 - 3/4	5/8
RO 37502000625DL	3/8	2	5/8
RO 37502500625DL	3/8	2 - 1/2	5/8
RO 37503000500STD	3/8	3	1/2
RO 37503000625DL	3/8	3	5/8
RO 37503500500DL	3/8	3 - 1/2	1/2
RO 37503500625STD	3/8	3 - 1/2	5/8
RO 37503500625DL	3/8	3 - 1/2	5/8
RO 37504000625DL	3/8	4	5/8
RO 37505000500DL	3/8	5	1/2
RO 37506750625DL	3/8	6 - 3/4	5/8

Symmetrical Style



Part Number	C/S	A Shaft/Groove Diameter	C Groove Width
SY 12500312250	1/8	5/16	1/4
SY 12500500187	1/8	1/2	3/16
SY 12500750250	1/8	3/4	1/4
SY 12500875250	1/8	7/8	1/4
SY 15601375250	5/32	1 - 3/8	1/4
SY 18700625312	3/16	5/8	5/16
SY 18700750312	3/16	3/4	5/16
SY 18700875312	3/16	7/8	5/16
SY 18701000250	3/16	1	1/4
SY 18701125312	3/16	1 - 1/8	5/16
SY 18701500312	3/16	1 - 1/2	5/16
SY 18702125375	3/16	2 - 1/8	3/8
SY 18705125312	3/16	5 - 1/8	5/16
SY 21800500250	7/32	1/2	1/4
SY 21802500375	7/32	2 - 1/2	3/8
SY 25000812375	1/4	13/16	3/8
SY 25000937375	1/4	15/16	3/8
SY 25001125375	1/4	1 - 1/8	3/8
SY 25001250375	1/4	1 - 1/4	3/8

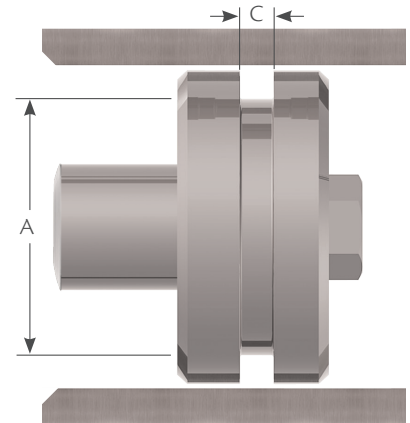
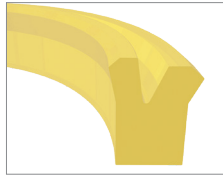
* Can be used in place of an RO and PI

Part Number	C/S	A Shaft/Groove Diameter	C Groove Width
SY 25001500375	1/4	1 - 1/2	3/8
SY 25002000375	1/4	2	3/8
SY 25002000562	1/4	2	9/16
SY 25002375375	1/4	2 - 3/8	3/8
SY 25004750625	1/4	4 - 3/4	5/8
SY 25005500750	1/4	5 - 1/2	3/4
SY 31202625625	5/16	2 - 5/8	5/8
SY 31203750625	5/16	3 - 3/4	5/8
SY 31203750875	5/16	3 - 3/4	7/8
SY 31204750875	5/16	4 - 3/4	7/8
SY 31205750875	5/16	5 - 3/4	7/8
SY 31206750625	5/16	6 - 3/4	5/8
SY 37502750375	3/8	2 - 3/4	3/8
SY 37502750625	3/8	2 - 3/4	5/8
SY 37503500625	3/8	3 - 1/2	5/8
SY 37507500562	3/8	7 - 1/2	9/16
SY 43703875750	7/16	3 - 7/8	3/4
SY 50007875100	1/2	7 - 7/8	1

Urethane U-Cups

IMPERIAL SEALS

Piston Style



Urethane U-cups fit into standard and deep loaded U-cup glands. For groove dimensions please reference the loaded U-cup section, which starts on page 39.

* Can be used for PI and SY

Part Number	C/S	A Groove Diameter	C Groove Width
PI 18700875312	3/16	7/8	5/16
PI 18701125312	3/16	1 - 1/8	5/16
PI 18701375312	3/16	1 - 3/8	5/16
PI 18701625312	3/16	1 - 5/8	5/16
PI 18702125312	3/16	2 - 1/8	5/16
PI 25000750375	1/4	3/4	3/8
PI 25001000375	1/4	1	3/8
PI 25001250375	1/4	1 - 1/4	3/8
PI 25001500375	1/4	1 - 1/2	3/8
PI 25001750375	1/4	1 - 3/4	3/8
PI 25002000375	1/4	2	3/8
PI 25002250375	1/4	2 - 1/4	3/8
PI 25002500375	1/4	2 - 1/2	3/8
PI 25002750375	1/4	2 - 3/4	3/8
PI 25003000375	1/4	3	3/8
PI 25003250375	1/4	3 - 1/4	3/8
PI 25003500375	1/4	3 - 1/2	3/8
PI 25004000375	1/4	4	3/8
PI 25004500375	1/4	4 - 1/2	3/8
PI 25005000375	1/4	5	3/8

Part Number	C/S	A Groove Diameter	C Groove Width
PI 25005500375	1/4	5 - 1/2	3/8
PI 31201375500	5/16	1 - 3/8	1/2
PI 31201875500	5/16	1 - 7/8	1/2
PI 31202375500	5/16	2 - 3/8	1/2
PI 31202875500	5/16	2 - 7/8	1/2
PI 31203375500	5/16	3 - 3/8	1/2
PI 31203875500	5/16	3 - 7/8	1/2
PI 31205375500	5/16	5 - 3/8	1/2
PI 37501750625	3/8	1 - 3/4	5/8
PI 37502250625	3/8	2 - 1/4	5/8
PI 37502500625	3/8	2 - 1/2	5/8
PI 37502750625	3/8	2 - 3/4	5/8
PI 37503250625	3/8	3 - 1/4	5/8
PI 37503750625	3/8	3 - 3/4	5/8
PI 37504250625	3/8	4 - 1/4	5/8
PI 37504750625	3/8	4 - 3/4	5/8
PI 37505250625	3/8	5 - 1/4	5/8
PI 37505750625	3/8	5 - 3/4	5/8
PI 37506250625	3/8	6 - 1/4	5/8
PI 37507250625	3/8	7 - 1/4	5/8

For custom size urethane U-cups, please contact a Hi-Tech Seals representative.