

Materials	Temp. Range
Nitrile	-40°C to 120°C
Viton™/Fluorocarbon	-26°C to 204°C



Product Description

Double acting pneumatic piston seals (DPP) are suited for low pressure value applications. The DPP seal is designed for surface speeds less than or equal to 1.0 meters per second and less than 12 bars of pressure.

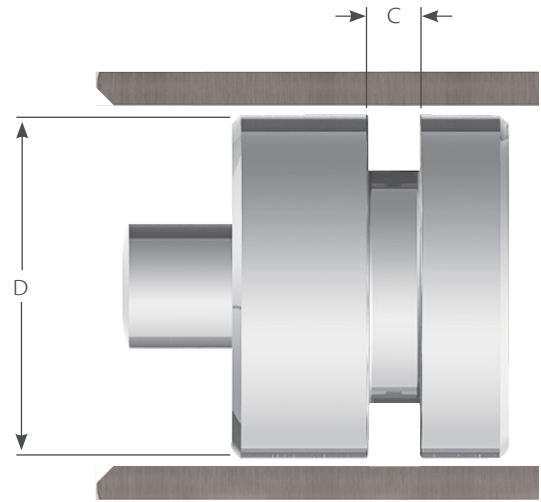
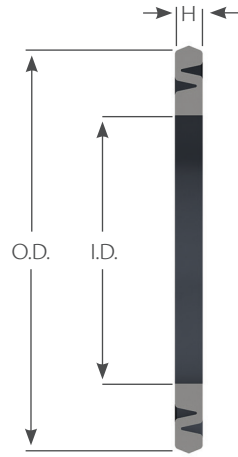
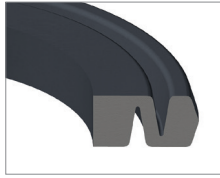
Part Numbers:

DPP - K54
 | |
 O.D. Blank - Nitrile
 V - Viton™/Fluorocarbon

Example: DPP 020 K 54 V - DPP Seal, Fluorocarbon, 13.0 mm I.D., 20.0 mm O.D., 2.1 mm Height

DPP Seal

METRIC SEALS



Part Number	Seal Dimensions			C Groove Width	D Piston Diameter
	I.D.	O.D.	H		
DPP 012K54	7.00	12.00	2.00	2.50	11.60
DPP 016K54	9.00	16.00	2.10	2.50	15.60
DPP 020K54	13.00	20.00	2.10	2.50	19.60
DPP 025K54	18.00	25.00	2.10	2.50	24.60
DPP 028K54	19.00	28.00	2.50	3.00	27.60
DPP 030K54	21.00	30.00	2.50	3.00	29.60
DPP 032K54	23.00	32.00	2.50	3.00	31.60
DPP 035K54	26.00	35.00	2.50	3.00	34.50
DPP 040K54	31.00	40.00	2.50	3.00	39.50
DPP 045K54	36.00	45.00	2.50	3.00	44.50
DPP 050K54	41.00	50.00	2.50	3.00	49.50
DPP 063K54	51.00	63.00	3.40	4.00	62.50
DPP 080K54	68.00	80.00	3.40	4.00	79.50
DPP 100K54	88.00	100.00	3.40	4.00	99.40
DPP 125K54	110.00	125.00	4.40	5.00	124.40

DPP Seal