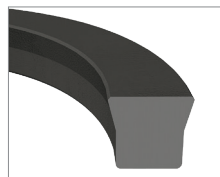
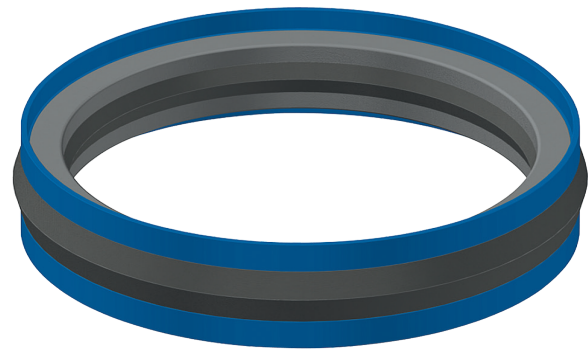
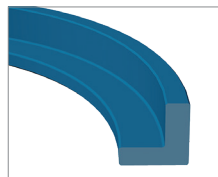


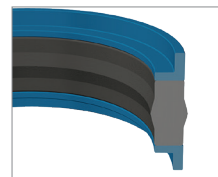
Elastomer Materials	Temp. Range
Nitrile	-40°C to 120°C
Viton™/Fluorocarbon	-26°C to 204°C
EPDM	-54°C to 150°C
Chloroprene	-40°C to 121°C
Aflas® FEPM	-9°C to 232°C
Anti - Extrusion Material	
Acetal	-40°C to 100°C



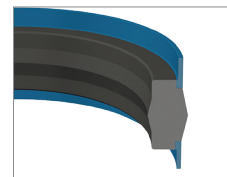
Single Acting (SAF)



Single Acting Wear Ring (WR)



Double Acting Loose (L/W)



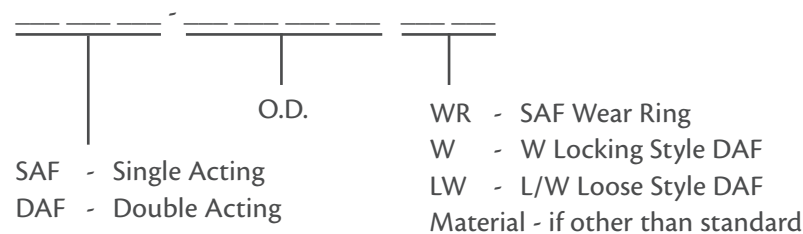
Double Acting Locking (L/W)

## Product Description

Single acting fluid seals can work both as a piston or rod seal. A single acting fluid seals standard material is a nitrile sealing element with a fabric reinforced base. Corresponding wear rings are sold separately. Contact us for dimension information of single acting fluid seals with a wear ring.

Our double acting fluid seals are designed for use on split pistons. They are composed of a nitrile sealing element, fabric reinforced base and two acetal wear rings.

## Part Numbers:

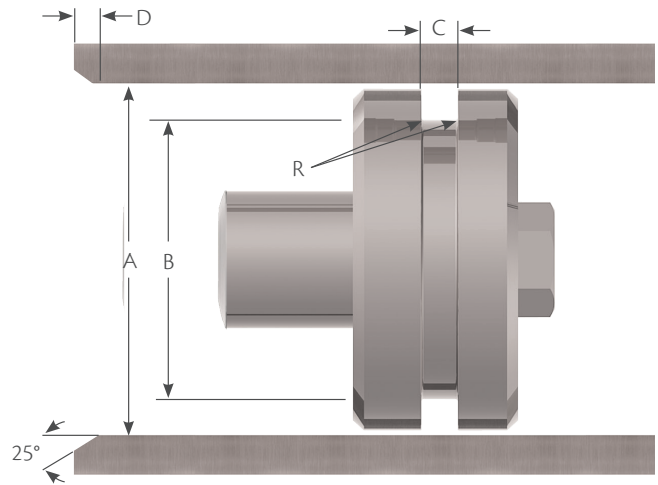
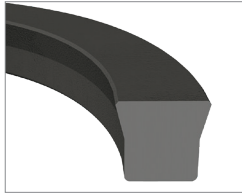


**Example:** DAF 2500LW - Double Acting Fluid Seal, Loose Wear Rings, 2.500" O.D., 1.875" I.D., 0.937 Height

# Fluid Seals

IMPERIAL SEALS

## Single Acting Style

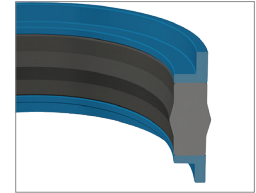
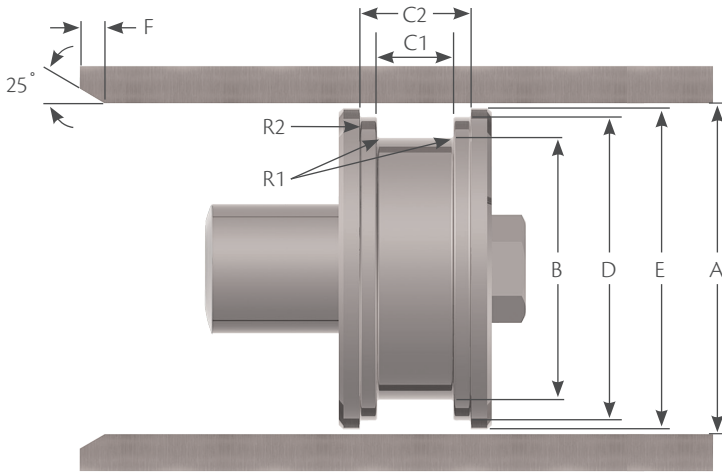


Part Number	A Bore Dia.	B Groove Dia.	C Groove Width	D	R Radius
SAF 1250	1.250	0.750	0.375	0.125	0.015
SAF 1625	1.625	1.000	0.437	0.156	0.015
SAF 1750	1.750	1.125	0.437	0.156	0.015
SAF 1875	1.875	1.250	0.437	0.156	0.015
SAF 2000	2.000	1.375	0.437	0.156	0.015
SAF 2125	2.125	1.500	0.437	0.156	0.015
SAF 2250	2.250	1.625	0.437	0.156	0.015
SAF 2375	2.375	1.750	0.437	0.156	0.015
SAF 2500	2.500	1.875	0.437	0.156	0.015
SAF 2625	2.625	2.000	0.437	0.156	0.015
SAF 2750	2.750	2.000	0.562	0.187	0.032
SAF 2875	2.875	2.125	0.562	0.187	0.032
SAF 3000	3.000	2.250	0.562	0.187	0.032
SAF 3125	3.125	2.375	0.562	0.187	0.032
SAF 3250	3.250	2.500	0.562	0.187	0.032
SAF 3375	3.375	2.625	0.562	0.187	0.032
SAF 3500	3.500	2.750	0.562	0.187	0.032
SAF 3625	3.625	2.875	0.562	0.187	0.032
SAF 3750	3.750	3.000	0.562	0.187	0.032

Part Number	A Bore Dia.	B Groove Dia.	C Groove Width	D	R Radius
SAF 4002	4.000	3.000	0.625	0.250	0.032
SAF 4001	4.000	3.250	0.562	0.187	0.032
SAF 4000	4.000	3.250	0.500	0.187	0.032
SAF 4125	4.125	3.375	0.562	0.187	0.032
SAF 4250	4.250	3.500	0.562	0.187	0.032
SAF 4500	4.500	3.500	0.562	0.250	0.032
SAF 4625	4.625	3.625	0.750	0.250	0.032
SAF 4750	4.750	3.750	0.750	0.250	0.032
SAF 5000	5.000	4.250	0.562	0.187	0.032
SAF 5250	5.250	4.250	0.750	0.250	0.032
SAF 5500	5.500	4.500	0.750	0.250	0.032
SAF 5750	5.750	4.750	0.750	0.250	0.032
SAF 6000	6.000	5.250	0.562	0.250	0.032
SAF 6250	6.250	5.250	0.875	0.250	0.032
SAF 6500	6.500	5.500	0.750	0.250	0.032
SAF 6750	6.750	5.750	0.750	0.250	0.032
SAF 7000	7.000	6.000	0.750	0.250	0.032
SAF 7750	7.750	6.500	1.000	0.250	0.046
SAF 8000	8.000	7.000	0.875	0.250	0.032

Additional sizes are available upon request. Contact us for further information.

## Double Acting L/W Style



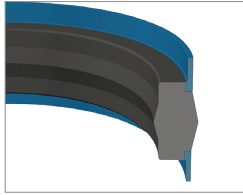
Part Number	A Bore Diameter	B Groove Diameter	D Groove Step Dia.	E Piston Diameter	C1 Groove Widths	C2	F Min.	R1 Radius	R2 Max
DAF 0750LW	0.750	0.375	0.615	0.718	0.593	0.957	0.093	0.008	0.008
DAF 1000LW	1.000	0.625	0.865	0.968	0.593	0.957	0.093	0.008	0.008
DAF 1125LW	1.125	0.625	0.990	1.093	0.750	1.232	0.125	0.008	0.008
DAF 1250LW	1.250	0.750	1.115	1.218	0.750	1.240	0.125	0.008	0.008
DAF 1375LW	1.375	0.875	1.241	1.343	0.750	1.240	0.125	0.008	0.008
DAF 1500LW	1.500	1.000	1.365	1.468	0.750	1.240	0.125	0.008	0.008
DAF 1625LW	1.625	1.000	1.428	1.562	0.937	1.427	0.156	0.008	0.008
DAF 1750LW	1.750	1.125	1.552	1.687	0.937	1.427	0.156	0.008	0.008
DAF 2000LW	2.000	1.375	1.802	1.937	0.937	1.427	0.156	0.008	0.008
DAF 2250LW	2.250	1.625	2.052	2.187	0.937	1.427	0.156	0.008	0.008
DAF 2375LW	2.375	1.750	2.177	2.312	0.937	1.427	0.156	0.008	0.008
DAF 2500LW	2.500	1.875	2.302	2.437	0.937	1.427	0.156	0.008	0.008
DAF 2625LW	2.625	2.000	2.428	2.562	0.937	1.427	0.156	0.008	0.008
DAF 2750LW	2.750	2.000	2.482	2.687	1.187	1.677	0.187	0.008	0.008
DAF 3000LW	3.000	2.250	2.732	2.937	1.187	1.677	0.187	0.008	0.008
DAF 3250LW	3.250	2.500	2.982	3.187	1.187	1.677	0.187	0.008	0.008
DAF 3500LW	3.500	2.750	3.232	3.437	1.187	1.677	0.187	0.008	0.008
DAF 3750LW	3.750	3.000	3.482	3.687	1.187	1.677	0.187	0.008	0.008
DAF 4000LW	4.000	3.250	3.732	3.937	1.187	1.677	0.187	0.008	0.008
DAF 4250LW	4.250	3.500	3.982	4.187	1.187	1.677	0.187	0.008	0.008
DAF 4500LW	4.500	3.500	4.232	4.437	1.500	2.240	0.218	0.015	0.015
DAF 4750LW	4.750	3.750	4.482	4.687	1.500	2.240	0.218	0.015	0.015
DAF 5000LW	5.000	4.000	4.732	4.937	1.500	2.240	0.218	0.015	0.015
DAF 5250LW	5.250	4.250	4.982	5.187	1.500	2.240	0.218	0.015	0.015
DAF 5500LW	5.500	4.500	5.232	5.437	1.500	2.240	0.218	0.015	0.015
DAF 6000LW	6.000	5.000	5.732	5.937	1.500	2.240	0.218	0.015	0.015
DAF 6500LW	6.500	5.500	6.232	6.437	1.500	2.240	0.218	0.015	0.015
DAF 7000LW	7.000	6.000	6.732	6.937	1.500	2.240	0.218	0.015	0.015

Contact us for tolerance limits.

# Fluid Seals

IMPERIAL SEALS

## Double Acting W Style



Part Number	A	B	D	E	C1	C2	F	R1	R2
	Bore Diameter	Groove Diameter	Groove Step Dia.	Piston Diameter	Groove Widths		Min.	Radius Max	
DAF 1000W	1.000	0.625	0.883	0.964	0.468	0.968	0.093	0.008	0.008
DAF 1125W	1.125	0.625	0.986	1.083	0.500	1.000	0.125	0.015	0.008
DAF 1250W	1.250	0.750	1.111	1.208	0.625	1.125	0.125	0.015	0.008
DAF 1500W	1.500	1.000	1.360	1.458	0.625	1.125	0.125	0.015	0.008
DAF 1500W1	1.500	1.000	1.360	1.458	0.625	1.000	0.125	0.015	0.008
DAF 1625W	1.625	1.125	1.485	1.583	0.625	1.125	0.125	0.015	0.008
DAF 1750W	1.750	1.125	1.570	1.698	0.750	1.250	0.156	0.025	0.008
DAF 2000W	2.000	1.375	1.820	1.948	0.750	1.250	0.156	0.025	0.008
DAF 2125W	2.125	1.500	1.944	2.074	0.750	1.250	0.156	0.025	0.008
DAF 2250W	2.250	1.625	2.069	2.197	0.750	1.250	0.156	0.025	0.008
DAF 2375W	2.375	1.750	2.194	2.322	0.750	1.250	0.156	0.025	0.008
DAF 2500W	2.500	1.875	2.319	2.446	0.750	1.250	0.156	0.025	0.008
DAF 2500W1	2.500	1.875	2.302	2.437	0.937	1.437	0.156	0.025	0.008
DAF 2625W	2.625	2.000	2.443	2.571	0.750	1.250	0.156	0.025	0.008
DAF 2750W	2.750	2.000	2.522	2.685	0.937	1.437	0.187	0.031	0.008
DAF 3000W	3.000	2.250	2.772	2.935	0.937	1.437	0.187	0.031	0.008
DAF 3000W1	3.000	2.250	2.772	2.935	1.125	1.625	0.187	0.031	0.008
DAF 3125W	3.125	2.375	2.896	3.060	0.937	1.437	0.187	0.031	0.008
DAF 3250W	3.250	2.500	3.021	3.184	0.937	1.437	0.187	0.031	0.008
DAF 3500W	3.500	2.750	3.271	3.434	0.937	1.437	0.187	0.031	0.008
DAF 3750W	3.750	3.000	3.520	3.683	0.937	1.437	0.187	0.031	0.008
DAF 3875W	3.875	3.125	3.646	3.809	0.937	1.437	0.187	0.031	0.008
DAF 4000W	4.000	3.250	3.770	3.933	0.937	1.437	0.187	0.031	0.008
DAF 4250W	4.250	3.500	4.019	4.182	0.937	1.437	0.187	0.031	0.008
DAF 4500W	4.500	3.500	4.229	4.422	1.250	1.750	0.218	0.046	0.015
DAF 4500W1	4.500	3.500	4.229	4.422	1.500	2.000	0.218	0.046	0.015
DAF 4750W	4.750	3.750	4.478	4.671	1.250	1.750	0.218	0.046	0.015
DAF 5000W	5.000	4.000	4.728	4.921	1.250	1.750	0.218	0.046	0.015
DAF 5250W	5.250	4.250	4.977	5.170	1.250	1.750	0.218	0.046	0.015
DAF 5500W	5.500	4.500	5.227	5.420	1.250	1.750	0.218	0.046	0.015
DAF 5500W1	5.500	4.500	5.232	5.437	1.500	2.240	0.218	0.046	0.015
DAF 5750W	5.750	4.750	5.475	5.669	1.250	1.750	0.218	0.046	0.015
DAF 6000W	6.000	5.000	5.726	5.919	1.250	1.750	0.218	0.046	0.015
DAF 6500W	6.500	5.500	6.226	6.419	1.250	1.750	0.218	0.046	0.015
DAF 7000W	7.000	6.000	6.724	6.917	1.250	1.750	0.218	0.046	0.015
DAF 8000W	8.000	7.000	7.723	7.915	1.250	1.750	0.218	0.046	0.015
DAF 9500W	9.500	8.500	9.225	9.418	1.250	1.750	0.218	0.046	0.015