

Oil Seals

* Available in single and double lip (DL) styles.

Part Number	A Shaft Diameter	B Groove Diameter	C Groove Width
O 02500500125	1/4	1/2	1/8
O 02500750250	1/4	3/4	1/4
O 03120687312	5/16	11/16	5/16
O 03120750250	5/16	3/4	1/4
O 03120875250	5/16	7/8	1/4
O 03750563094	3/8	9/16	3/32
O 03750750250	3/8	3/4	1/4
O 03750875250DL	3/8	7/8	1/4
O 04370875250DL	7/16	7/8	1/4
O 04371000250	7/16	1	1/4
O 04371125375	7/16	1 1/8	3/8
O 05000875250*	1/2	7/8	1/4
O 05001000187	1/2	1	3/16
O 05001000250DL	1/2	1	1/4
O 05001000312DL	1/2	1	5/16
O 05001000375	1/2	1	3/8
O 05001125250DL	1/2	1 - 1/8	1/4
O 05001125312	1/2	1 - 1/8	5/16
O 05001125375	1/2	1 - 1/8	3/8
O 05001250250	1/2	1 - 1/4	1/4
O 05621000250DL	9/16	1	1/4
O 05621125250DL	9/16	1 - 1/8	1/4
O 06250937187	5/8	15/16	3/16
O 06251000187	5/8	1	3/16
O 06251000250	5/8	1	1/4
O 06251125250*	5/8	1 - 1/8	1/4

Part Number	A Shaft Diameter	B Groove Diameter	C Groove Width
O 06251125312	5/8	1 - 1/8	5/16
O 06251125375	5/8	1 - 1/8	3/8
O 06251250250*	5/8	1 - 1/4	1/4
O 06251250312	5/8	1 - 1/4	5/16
O 06251250375	5/8	1 - 1/4	3/8
O 06251375250	5/8	1 - 3/8	1/4
O 06251375312	5/8	1 - 3/8	5/16
O 06251500250	5/8	1 - 1/2	1/4
O 06251500375	5/8	1 - 1/2	3/8
O 06871125250	11/16	1 - 1/8	1/4
O 06871250250	11/16	1 - 1/4	1/4
O 06871375375	11/16	1 - 3/8	3/8
O 07501000187	3/4	1	3/16
O 07501125187	3/4	1 - 1/8	3/16
O 07501125250DL	3/4	1 - 1/8	1/4
O 07501187250	3/4	1 - 3/16	1/4
O 07501250250*	3/4	1 - 1/4	1/4
O 07501250312DL	3/4	1 - 1/4	5/16
O 07501312250	3/4	1 - 5/16	1/4
O 07501375250	3/4	1 - 3/8	1/4
O 07501375312	3/4	1 - 3/8	5/16
O 07501375375	3/4	1 - 3/8	3/8
O 07501500250	3/4	1 - 1/2	1/4
O 07501500312DL	3/4	1 - 1/2	5/16
O 07501500375	3/4	1 - 1/2	3/8
O 07501625312	3/4	1 - 5/8	5/16

Oil Seals

IMPERIAL SEALS

*Available in single and double lip (DL) styles.

Part Number	A Shaft Diameter	B Groove Diameter	C Groove Width
O 07501625375	3/4	1 - 5/8	3/8
O 07501750312	3/4	1 - 3/4	5/16
O 08121187250	13/16	1 - 3/16	1/4
O 08121375250	13/16	1 - 3/8	1/4
O 08121375312	13/16	1 - 3/8	5/16
O 08121375375	13/16	1 - 3/8	3/8
O 08121500250	13/16	1 - 1/2	1/4
O 08751250187	7/8	1 - 1/4	3/16
O 08751250250	7/8	1 - 1/4	1/4
O 08751375375	7/8	1 - 3/8	3/8
O 08751500250	7/8	1 - 1/2	1/4
O 08751500375	7/8	1 - 1/2	3/8
O 08751625375	7/8	1 - 5/8	3/8
O 08751750375	7/8	1 - 3/4	3/8
O 08751875375	7/8	1 - 7/8	3/8
O 09371500375*	15/16	1 - 1/2	3/8
O 09371625375	15/16	1 - 5/8	3/8
O 09371750375	15/16	1 - 3/4	3/8
O 10001250125	1	1 - 1/4	1/8
O 10001375187	1	1 - 3/8	3/16
O 10001375250DL	1	1 - 3/8	1/4
O 10001437250	1	1 - 7/16	1/4
O 10001500250DL	1	1 - 1/2	1/4
O 10001500312	1	1 - 1/2	5/16
O 10001500375DL	1	1 - 1/2	3/8
O 10001625250	1	1 - 5/8	1/4
O 10001625312	1	1 - 5/8	5/16
O 10001625375	1	1 - 5/8	3/8
O 10001750250*	1	1 - 3/4	1/4
O 10001750375	1	1 - 3/4	3/8
O 10001875250	1	1 - 7/8	1/4
O 10001875375	1	1 - 7/8	3/8
O 10002000250	1	2	1/4
O 10002000375DL	1	2	3/8
O 10002000500	1	2	1/2
O 10002250375	1	2 - 1/4	3/8
O 11251500250	1 - 1/8	1 - 1/2	1/4
O 11251563375	1 - 1/8	1 - 9/16	3/8
O 11251625250*	1 - 1/8	1 - 5/8	1/4
O 11251625312*	1 - 1/8	1 - 5/8	5/16
O 11251625375	1 - 1/8	1 - 5/8	3/8

Part Number	A Shaft Diameter	B Groove Diameter	C Groove Width
O 11251687250DL	1 - 1/8	1 - 11/16	1/4
O 11251750312	1 - 1/8	1 - 3/4	5/16
O 11251750375*	1 - 1/8	1 - 3/4	3/8
O 11251875250	1 - 1/8	1 - 7/8	1/4
O 11251875375DL	1 - 1/8	1 - 7/8	3/8
O 11252000250DL	1 - 1/8	2	1/4
O 11252000375DL	1 - 1/8	2	3/8
O 11252000500	1 - 1/8	2	1/2
O 11252062375	1 - 1/8	2 - 1/16	3/8
O 11252125375	1 - 1/8	2 - 1/8	3/8
O 11252250375	1 - 1/8	2 - 1/4	3/8
O 11871687375	1 - 3/16	1 - 11/16	3/8
O 11871750187	1 - 3/16	1 - 3/4	3/16
O 11871750250	1 - 3/16	1 - 3/4	1/4
O 11871875312	1 - 3/16	1 - 7/8	5/16
O 11872000250	1 - 3/16	2	1/4
O 11872000312	1 - 3/16	2	5/16
O 11872000375DL	1 - 3/16	2	3/8
O 12501625250DL	1 - 1/4	1 - 5/8	1/4
O 12501687250DL	1 - 1/4	1 - 11/16	1/4
O 12501687375	1 - 1/4	1 - 11/16	3/8
O 12501750250DL	1 - 1/4	1 - 3/4	1/4
O 12501750375DL	1 - 1/4	1 - 3/4	3/8
O 12501875250	1 - 1/4	1 - 7/8	1/4
O 12501875312	1 - 1/4	1 - 7/8	5/16
O 12501875375	1 - 1/4	1 - 7/8	3/8
O 12502000250*	1 - 1/4	2	1/4
O 12502000312DL	1 - 1/4	2	5/16
O 12502000375	1 - 1/4	2	3/8
O 12502000500DL	1 - 1/4	2	1/2
O 12502062375	1 - 1/4	2 - 1/16	3/8
O 12502125312	1 - 1/4	2 - 1/8	5/16
O 12502125375DL	1 - 1/4	2 - 1/8	3/8
O 12502187437	1 - 1/4	2 - 3/16	7/16
O 12502250312	1 - 1/4	2 - 1/4	5/16
O 12502250375*	1 - 1/4	2 - 1/4	3/8
O 12502250500	1 - 1/4	2 - 1/4	1/2
O 12502375375	1 - 1/4	2 - 3/8	3/8
O 12502500375	1 - 1/4	2 - 1/2	3/8
O 13121875312	1 - 5/16	1 - 7/8	5/16
O 13121937187	1 - 5/16	1 - 15/16	3/16

* Available in single and double lip (DL) styles.

Part Number	A Shaft Diameter	B Groove Diameter	C Groove Width
O 13122062312	1 - 5/16	2 - 1/16	5/16
O 13751875250*	1 - 3/8	1 - 7/8	1/4
O 13751875312	1 - 3/8	1 - 7/8	5/16
O 13752000312	1 - 3/8	2	5/16
O 13752000375DL	1 - 3/8	2	3/8
O 13752000500	1 - 3/8	2	1/2
O 13752062250	1 - 3/8	2 - 1/16	1/4
O 13752062375	1 - 3/8	2 - 1/16	3/8
O 13752062500	1 - 3/8	2 - 1/16	1/2
O 13752250312DL	1 - 3/8	2 - 1/4	5/16
O 13752250375DL	1 - 3/8	2 - 1/4	3/8
O 13752250500	1 - 3/8	2 - 1/4	1/2
O 13752375375DL	1 - 3/8	2 - 3/8	3/8
O 13752375500	1 - 3/8	2 - 3/8	1/2
O 13752500375DL	1 - 3/8	2 - 1/2	3/8
O 13752500500	1 - 3/8	2 - 1/2	1/2
O 13752625375	1 - 3/8	2 - 5/8	3/8
O 14372000312DL	1 - 7/16	2	5/16
O 14372062312DL	1 - 7/16	2 - 1/16	5/16
O 14372250375	1 - 7/16	2 - 1/4	3/8
O 14372500500	1 - 7/16	2 - 1/2	1/2
O 15002000187	1 - 1/2	2	3/16
O 15002000250	1 - 1/2	2	1/4
O 15002000500	1 - 1/2	2	1/2
O 15002062250	1 - 1/2	2 - 1/16	1/4
O 15002062312	1 - 1/2	2 - 1/16	5/16
O 15002125375*	1 - 1/2	2 - 1/8	3/8
O 15002187375	1 - 1/2	2 - 3/16	3/8
O 15002250250	1 - 1/2	2 - 1/4	1/4
O 15002250312*	1 - 1/2	2 - 1/4	5/16
O 15002250375DL	1 - 1/2	2 - 1/4	3/8
O 15002375375DL	1 - 1/2	2 - 3/8	3/8
O 15002375437	1 - 1/2	2 - 3/8	7/16
O 15002375500	1 - 1/2	2 - 3/8	1/2
O 15002500312	1 - 1/2	2 - 1/2	5/16
O 15002500375DL	1 - 1/2	2 - 1/2	3/8
O 15002500500	1 - 1/2	2 - 1/2	1/2
O 15002750375DL	1 - 1/2	2 - 3/4	3/8
O 15002750500DL	1 - 1/2	2 - 3/4	1/2
O 15622250375	1 - 9/16	2 - 1/4	3/8
O 15622375375	1 - 9/16	2 - 3/8	3/8

Part Number	A Shaft Diameter	B Groove Diameter	C Groove Width
O 15622500312	1 - 9/16	2 - 1/2	5/16
O 15622500375	1 - 9/16	2 - 1/2	3/8
O 15622500500DL	1 - 9/16	2 - 1/2	1/2
O 16252000500	1 - 5/8	2	1/2
O 16252125250	1 - 5/8	2 - 1/8	1/4
O 16252187375	1 - 5/8	2 - 3/16	3/8
O 16252250312	1 - 5/8	2 - 1/4	5/16
O 16252250375DL	1 - 5/8	2 - 1/4	3/8
O 16252375312	1 - 5/8	2 - 3/8	5/16
O 16252375375*	1 - 5/8	2 - 3/8	3/8
O 16252437500	1 - 5/8	2 - 7/16	1/2
O 16252500375DL	1 - 5/8	2 - 1/2	3/8
O 16252500500*	1 - 5/8	2 - 1/2	1/2
O 16252625375DL	1 - 5/8	2 - 5/8	3/8
O 16252750375	1 - 5/8	2 - 3/4	3/8
O 16252750500	1 - 5/8	2 - 3/4	1/2
O 16252875312	1 - 5/8	2 - 7/8	5/16
O 16872500375	1 - 11/16	2 - 1/2	3/8
O 16872500500	1 - 11/16	2 - 1/2	1/2
O 16872687500	1 - 11/16	2 - 11/16	1/2
O 17502125187	1 - 3/4	2 - 1/8	3/16
O 17502250312	1 - 3/4	2 - 1/4	5/16
O 17502250375DL	1 - 3/4	2 - 1/4	3/8
O 17502312250DL	1 - 3/4	2 - 5/16	1/4
O 17502375312*	1 - 3/4	2 - 3/8	5/16
O 17502375375	1 - 3/4	2 - 3/8	3/8
O 17502437312	1 - 3/4	2 - 7/16	5/16
O 17502437375	1 - 3/4	2 - 7/16	3/8
O 17502500312*	1 - 3/4	2 - 1/2	5/16
O 17502500375DL	1 - 3/4	2 - 1/2	3/8
O 17502500500	1 - 3/4	2 - 1/2	1/2
O 17502562312	1 - 3/4	2 - 9/16	5/16
O 17502625375DL	1 - 3/4	2 - 5/8	3/8
O 17502625500	1 - 3/4	2 - 5/8	1/2
O 17502687437	1 - 3/4	2 - 11/16	7/16
O 17502750375DL	1 - 3/4	2 - 3/4	3/8
O 17502750500DL	1 - 3/4	2 - 3/4	1/2
O 17502875375DL	1 - 3/4	2 - 7/8	3/8
O 17502875500	1 - 3/4	2 - 7/8	1/2
O 17503000375DL	1 - 3/4	3	3/8
O 17503187500	1 - 3/4	3 - 3/16	1/2

Oil Seals

IMPERIAL SEALS

*Available in single and double lip (DL) styles.

Part Number	A Shaft Diameter	B Groove Diameter	C Groove Width
O 18122500250	1 - 13/16	2 - 1/2	1/4
O 18122500375	1 - 13/16	2 - 1/2	3/8
O 18122625375	1 - 13/16	2 - 5/8	3/8
O 18123000375	1 - 13/16	3	3/8
O 18752500312	1 - 7/8	2 - 1/2	5/16
O 18752500375DL	1 - 7/8	2 - 1/2	3/8
O 18752500500	1 - 7/8	2 - 1/2	1/2
O 18752625375DL	1 - 7/8	2 - 5/8	3/8
O 18752625500	1 - 7/8	2 - 5/8	1/2
O 18752750375DL	1 - 7/8	2 - 3/4	3/8
O 18752750500DL	1 - 7/8	2 - 3/4	1/2
O 18752875375DL	1 - 7/8	2 - 7/8	3/8
O 18752875500	1 - 7/8	2 - 7/8	1/2
O 18753000375DL	1 - 7/8	3	3/8
O 19372500375DL	1 - 15/16	2 - 1/2	3/8
O 19372750375DL	1 - 15/16	2 - 3/4	3/8
O 19373000500DL	1 - 15/16	3	1/2
O 20002500250*	2	2 - 1/2	1/4
O 20002625375DL	2	2 - 5/8	3/8
O 20002687375	2	2 - 11/16	3/8
O 20002687500	2	2 - 11/16	1/2
O 20002750250	2	2 - 3/4	1/4
O 20002750375DL	2	2 - 3/4	3/8
O 20002750437DL	2	2 - 3/4	7/16
O 20002875375DL	2	2 - 7/8	3/8
O 20002875500	2	2 - 7/8	1/2
O 20003000375DL	2	3	3/8
O 20003000500DL	2	3	1/2
O 21252750312	2 - 1/8	2 - 3/4	5/16
O 21252875375*	2 - 1/8	2 - 7/8	3/8
O 21253000375*	2 - 1/8	3	3/8
O 21253000500DL	2 - 1/8	3	1/2
O 21253250375DL	2 - 1/8	3 - 1/4	3/8
O 21253375500	2 - 1/8	3 - 3/8	1/2
O 21253500500	2 - 1/8	3 - 1/2	1/2
O 21872875375	2 - 3/16	2 - 7/8	3/8
O 21873000375DL	2 - 3/16	3	3/8
O 22502875375	2 - 1/4	2 - 7/8	3/8
O 22503000375DL	2 - 1/4	3	3/8
O 22503000500	2 - 1/4	3	1/2
O 22503125375	2 - 1/4	3 - 1/8	3/8

Part Number	A Shaft Diameter	B Groove Diameter	C Groove Width
O 22503187500	2 - 1/4	3 - 3/16	1/2
O 22503250500	2 - 1/4	3 - 1/4	1/2
O 22503375375	2 - 1/4	3 - 3/8	3/8
O 22503375500DL	2 - 1/4	3 - 3/8	1/2
O 22503500500DL	2 - 1/4	3 - 1/2	1/2
O 22503625500DL	2 - 1/4	3 - 5/8	1/2
O 23123125375	2 - 5/16	3 - 1/8	3/8
O 23752875312DL	2 - 3/8	2 - 7/8	5/16
O 23753000375DL	2 - 3/8	3	3/8
O 23753125375DL	2 - 3/8	3 - 1/8	3/8
O 23753250375DL	2 - 3/8	3 - 1/4	3/8
O 23753250500	2 - 3/8	3 - 1/4	1/2
O 23753375500DL	2 - 3/8	3 - 3/8	1/2
O 23753500375	2 - 3/8	3 - 1/2	3/8
O 23753500437	2 - 3/8	3 - 1/2	7/16
O 23753500500DL	2 - 3/8	3 - 1/2	1/2
O 24373250375	2 - 7/16	3 - 1/4	3/8
O 25003187375DL	2 - 1/2	3 - 3/16	3/8
O 25003250375*	2 - 1/2	3 - 1/4	3/8
O 25003250500	2 - 1/2	3 - 1/4	1/2
O 25003375500	2 - 1/2	3 - 3/8	1/2
O 25003500250	2 - 1/2	3 - 1/2	1/4
O 25003500375	2 - 1/2	3 - 1/2	3/8
O 25003500437	2 - 1/2	3 - 1/2	7/16
O 25003500500DL	2 - 1/2	3 - 1/2	1/2
O 25003625500	2 - 1/2	3 - 5/8	1/2
O 26253375312	2 - 5/8	3 - 3/8	5/16
O 26253375375DL	2 - 5/8	3 - 3/8	3/8
O 26253500500DL	2 - 5/8	3 - 1/2	1/2
O 26253625375	2 - 5/8	3 - 5/8	3/8
O 26253625500DL	2 - 5/8	3 - 5/8	1/2
O 26253750500DL	2 - 5/8	3 - 3/4	1/2
O 26254000500	2 - 5/8	4	1/2
O 27503500375*	2 - 3/4	3 - 1/2	3/8
O 27503750375DL	2 - 3/4	3 - 3/4	3/8
O 27503750500DL	2 - 3/4	3 - 3/4	1/2
O 27503875500	2 - 3/4	3 - 7/8	1/2
O 27504000500DL	2 - 3/4	4	1/2
O 28753625375DL	2 - 7/8	3 - 5/8	3/8
O 28753750375DL	2 - 7/8	3 - 3/4	3/8
O 28753750500DL	2 - 7/8	3 - 3/4	1/2

*Available in single and double lip (DL) styles.

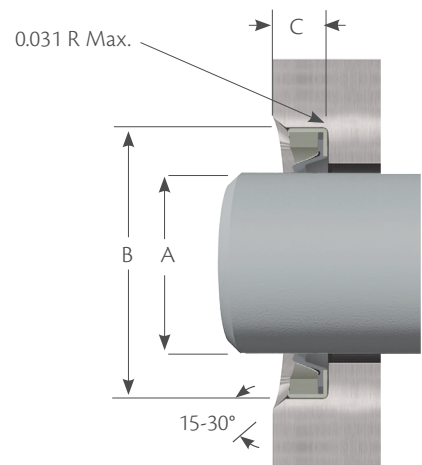
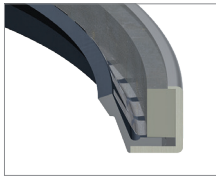
Part Number	A Shaft Diameter	B Groove Diameter	C Groove Width
O 28753875500DL	2 - 7/8	3 - 7/8	1/2
O 28754000500DL	2 - 7/8	4	1/2
O 29373750375	2 - 15/16	3 - 3/4	3/8
O 30003750375DL	3	3 - 3/4	3/8
O 30003875375	3	3 - 7/8	3/8
O 30004000375DL	3	4	3/8
O 30004000437	3	4	7/16
O 30004000500DL	3	4	1/2
O 30004375500DL	3	4 - 3/8	1/2
O 30004500500DL	3	4 - 1/2	1/2
O 30004000500DL	3	4	1/2
O 31254000500	3 - 1/8	4	1/2
O 31254125500	3 - 1/8	4 - 1/8	1/2
O 31254500500	3 - 1/8	4 - 1/2	1/2
O 31254500625	3 - 1/8	4 - 1/2	5/8
O 32504000500DL	3 - 1/4	4	1/2
O 32504250250	3 - 1/4	4 - 1/4	1/4
O 32504250437	3 - 1/4	4 - 1/4	7/16
O 32504250500DL	3 - 1/4	4 - 1/4	1/2
O 32504500438DL	3 - 1/4	4 - 1/2	7/16
O 32504750500DL	3 - 1/4	4 - 3/4	1/2
O 33124500437DL	3 - 5/16	4 - 1/2	7/16
O 33754000500	3 - 3/8	4	1/2
O 33754375375DL	3 - 3/8	4 - 3/8	3/8
O 33754375500	3 - 3/8	4 - 3/8	1/2
O 33754500500	3 - 3/8	4 - 1/2	1/2
O 35004125375	3 - 1/2	4 - 1/8	3/8
O 35004250500	3 - 1/2	4 - 1/4	1/2
O 35004375500DL	3 - 1/2	4 - 3/8	1/2
O 35004500375*	3 - 1/2	4 - 1/2	3/8
O 35004500500	3 - 1/2	4 - 1/2	1/2
O 35004750500DL	3 - 1/2	4 - 3/4	1/2
O 35005000500	3 - 1/2	5	1/2
O 36254625500	3 - 5/8	4 - 5/8	1/2
O 36254750500	3 - 5/8	4 - 3/4	1/2
O 37504500500DL	3 - 3/4	4 - 1/2	1/2
O 37504750500DL	3 - 3/4	4 - 3/4	1/2
O 37505000500	3 - 3/4	5	1/2
O 37505250500	3 - 3/4	5 - 1/4	1/2
O 38754875500	3 - 7/8	4 - 7/8	1/2
O 38755000500DL	3 - 7/8	5	1/2

Part Number	A Shaft Diameter	B Groove Diameter	C Groove Width
O 40004875625DL	4	4 - 7/8	5/8
O 40005000375	4	5	3/8
O 40005000500DL	4	5	1/2
O 40005125500DL	4	5 - 1/8	1/2
O 40005250438DL	4	5 - 1/4	7/16
O 40005250500	4	5 - 1/4	1/2
O 40005375437	4	5 - 3/8	7/16
O 40005500500	4	5 - 1/2	1/2
O 42504875375DL	4 - 1/4	4 - 7/8	3/8
O 42505250500DL	4 - 1/4	5 - 1/4	1/2
O 42505375500	4 - 1/4	5 - 3/8	1/2
O 42505500500DL	4 - 1/4	5 - 1/2	1/2
O 43755375500	4 - 3/8	5 - 3/8	1/2
O 43755500500	4 - 3/8	5 - 1/2	1/2
O 45005250437	4 - 1/2	5 - 1/4	7/16
O 45005375437	4 - 1/2	5 - 3/8	7/16
O 45005500437	4 - 1/2	5 - 1/2	7/16
O 45005500500DL	4 - 1/2	5 - 1/2	1/2
O 45005750500	4 - 1/2	5 - 3/4	1/2
O 45006125562DL	4 - 1/2	6 - 1/8	9/16
O 46255625500	4 - 5/8	5 - 5/8	1/2
O 47505500375	4 - 3/4	5 - 1/2	3/8
O 47505750500DL	4 - 3/4	5 - 3/4	1/2
O 47506000562DL	4 - 3/4	6	9/16
O 47506250500	4 - 3/4	6 - 1/4	1/2
O 49376000500	4 - 15/16	6	1/2
O 50005750437	5	5 - 3/4	7/16
O 50005750500*	5	5 - 3/4	1/2
O 50006000500DL	5	6	1/2
O 50006250500*	5	6 - 1/4	1/2
O 52506250500	5 - 1/4	6 - 1/4	1/2
O 55006750625DL	5 - 1/2	6 - 3/4	5/8
O 58756875500DL	5 - 7/8	6 - 7/8	1/2
O 62508000500DL	6 - 1/4	8	1/2
O 65007500625	6 - 1/2	7 - 1/2	5/8
O 70008000500*	7	8	1/2
O 70008000625	7	8	5/8
O 72508750562	7 - 1/4	8 - 3/4	9/16
O 72508750625	7 - 1/4	8 - 3/4	5/8
O 80009000500	8	9	1/2
O 80009000625	8	9	5/8

Oil Seals

IMPERIAL SEALS

L1M



Hi-Tech Seals standard L1M is composed of a steel outer case, a steel filler ring, a stainless steel finger spring, and a nitrile/PTFE sealing element. The sealing element is also available in hydrogenated nitrile/ PTFE, silicone/ PTFE, and fluorocarbon/PTFE.

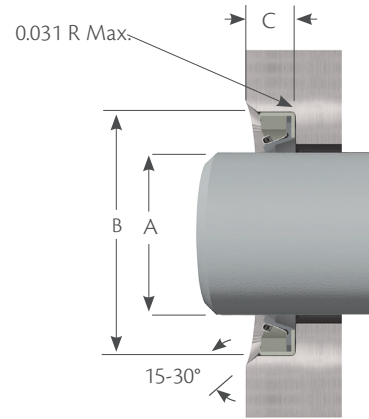
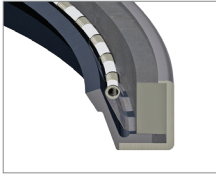
Part Number	Imperial			Metric Equivalent			Garlock Ref. #
	A Shaft Dia.	B Groove Dia.	C Groove Width	A Shaft Dia.	B Groove Dia.	C Groove Width	
O 38754875500L1M	3.875	4.875	0.500	98.42	123.82	12.70	53X-2501
O 40635125500L1M	4.063	5.125	0.500	103.20	130.17	12.70	53X-2570
O 43755375500L1M	4.375	5.375	0.500	111.12	136.52	12.70	53X-2708
O 46875750500L1M	4.687	5.750	0.500	119.04	146.05	12.70	53X-2819
O 48756000500L1M	4.875	6.000	0.500	123.82	152.40	12.70	53X-2873
O 50006250562L1M	5.000	6.250	0.562	127.00	158.75	14.27	53X-2922
O 55007000500L1M	5.500	7.000	0.500	139.70	177.80	12.70	53X-3188
O 56226785625L1M	5.622	6.874	0.625	142.80	174.60	15.87	53X-3192
O 57506875500L1M	5.750	6.875	0.500	146.05	174.62	12.70	53X-3278
O 57507000500L1M	5.750	7.000	0.500	146.05	177.80	12.70	53X-3293
O 58756875500L1M	5.875	6.875	0.500	149.23	174.62	12.70	53X-3316
O 58757000500L1M	5.875	7.000	0.500	149.23	177.80	12.70	53X-3319
O 58757125500L1M	5.875	7.125	0.500	149.23	180.98	12.70	53X-3322
O 60007000500L1M	6.000	7.000	0.500	152.40	177.80	12.70	53X-3355
O 60007250504L1M	6.000	7.250	0.504	152.40	184.15	12.80	53X-3361
O 60007250625L1M	6.000	7.250	0.625	152.40	184.15	15.87	53X-3363
O 60007500500L1M	6.000	7.500	0.500	152.40	190.50	12.70	53X-3367
O 62507750750L1M	6.250	7.750	0.750	158.75	196.85	19.05	53X-3405
O 65007500625L1M	6.500	7.500	0.625	165.10	190.50	15.87	53X-3426
O 65008000625L1M	6.500	8.000	0.625	165.10	203.20	15.87	53X-3434
O 66257743625L1M	6.625	7.743	0.625	168.27	196.67	15.87	53X-3436
O 67507750625L1M	6.750	7.750	0.625	171.45	196.85	15.87	53X-3456
O 67508000625L1M	6.750	8.000	0.625	171.45	203.20	15.87	53X-3460
O 70008000625L1M	7.000	8.000	0.625	177.80	203.20	15.87	53X-3492
O 70008500625L1M	7.000	8.500	0.625	177.80	215.90	15.87	53X-3500
O 71258250625L1M	7.125	8.250	0.625	180.97	209.55	15.87	53X-3508
O 72508500625L1M	7.250	8.500	0.625	184.15	215.90	15.87	53X-3522
O 72508750625L1M	7.250	8.750	0.625	184.15	222.25	15.88	53X-3526
O 78759375687L1M	7.875	9.375	0.687	200.02	238.12	17.45	53X-9176
O 79379125625L1M	7.937	9.125	0.625	201.59	231.77	15.87	53X-3590
O 80009000625L1M	8.000	9.000	0.625	203.20	228.60	15.87	53X-3592

Part Number	Imperial			Metric Equivalent			Garlock Ref. #
	A Shaft Dia.	B Groove Dia.	C Groove Width	A Shaft Dia.	B Groove Dia.	C Groove Width	
O 80009500625L1M	8.000	9.500	0.625	203.20	241.30	15.87	53X-3600
O 80009500687L1M	8.000	9.500	0.687	203.20	241.30	17.45	53X-3921
O 80009500750L1M	8.000	9.500	0.750	203.20	241.30	19.05	53X-3601
O 800010000687L1M	8.000	10.000	0.687	203.20	254.00	17.45	53X-3924
O 825010250812L1M	8.250	10.250	0.812	209.55	260.35	20.62	53X-4499
O 83759875687L1M	8.375	9.875	0.687	212.72	250.82	17.45	53X-3933
O 850010000687L1M	8.500	10.000	0.687	215.90	254.00	17.45	53X-8453
O 850010500100L1M	8.500	10.500	1.000	215.90	266.70	25.40	53X-3610
O 862510125687L1M	8.625	10.125	0.687	219.07	257.17	17.45	53X-3939
O 875010250687L1M	8.750	10.250	0.687	222.25	260.35	17.45	53X-3946
O 875010250750L1M	8.750	10.250	0.750	222.25	260.35	19.05	53X-3104
O 900010500687L1M	9.000	10.500	0.687	228.60	266.70	17.45	53X-3954
O 900010500750L1M	9.000	10.500	0.750	228.60	266.70	19.05	53X-3619
O 900010507625L1M	9.000	10.507	0.625	228.60	266.87	15.87	53X-3620
O 900011000750L1M	9.000	11.000	0.750	228.60	279.40	19.05	53X-3623
O 900011000812L1M	9.000	11.000	0.812	228.60	279.40	20.63	53X-3122
O 912510625687L1M	9.125	10.625	0.687	231.77	269.87	17.45	53X-3957
O 912510750750L1M	9.125	10.750	0.750	231.77	273.05	19.05	53X-3959
O 925010500625L1M	9.250	10.500	0.625	234.95	266.70	15.87	53X-4511
O 925010750687L1M	9.250	10.750	0.687	234.95	273.05	17.45	53X-3963
O 937511000750L1M	9.375	11.000	0.750	238.12	279.40	19.05	53X-3972
O 937511375812L1M	9.375	11.375	0.812	238.12	288.92	20.62	53X-4610
O 950010500625L1M	9.500	10.500	0.625	241.30	266.70	15.87	53X-3977
O 950011250750L1M	9.500	11.250	0.750	241.30	285.75	19.05	53X-3981
O 950011500812L1M	9.500	11.500	0.812	241.30	292.10	20.62	53X-3984
O 975010750625L1M	9.750	10.750	0.625	247.65	273.05	15.87	53X-4513
O 975011250687L1M	9.750	11.250	0.687	247.65	285.75	17.45	53X-3985
O 1000011000562L1M	10.000	11.000	0.562	254.00	279.40	14.28	53X-3660
O 1000011500687L1M	10.000	11.500	0.687	254.00	292.10	17.45	53X-3992
O 1000011500750L1M	10.000	11.500	0.750	254.00	292.10	19.05	53X-3672
O 1000011750750L1M	10.000	11.750	0.750	254.00	298.45	19.05	53X-3994
O 1000011969100L1M	10.000	11.969	1.000	254.00	304.00	25.40	53X-3673
O 1000012000812L1M	10.000	12.000	0.812	254.00	304.80	20.62	53X-3997
O 1000012250812L1M	10.000	12.250	0.812	254.00	311.15	20.62	53X-3669
O 1012511625687L1M	10.125	11.625	0.687	257.17	295.27	17.45	53X-3999
O 1012511750687L1M	10.125	11.750	0.687	257.17	298.45	17.45	53X-5989
O 1025011750623L1M	10.250	11.750	0.623	260.35	298.45	15.82	53X-3123
O 1025011750687L1M	10.250	11.750	0.687	260.35	298.45	17.45	53X-4004
O 1025011750750L1M	10.250	11.750	0.750	260.35	298.45	19.05	53X-4005
O 1050012000687L1M	10.500	12.000	0.687	266.70	304.80	17.45	53X-4011
O 1050012000750L1M	10.500	12.000	0.750	266.70	304.80	19.05	53X-4012
O 1050012500750L1M	10.500	12.500	0.750	266.70	317.50	19.05	53X-3041
O 1050012500812L1M	10.500	12.500	0.812	266.70	317.50	20.62	53X-4017
O 1075012250562L1M	10.750	12.250	0.562	273.05	311.15	14.28	53X-3685

Oil Seals

IMPERIAL SEALS

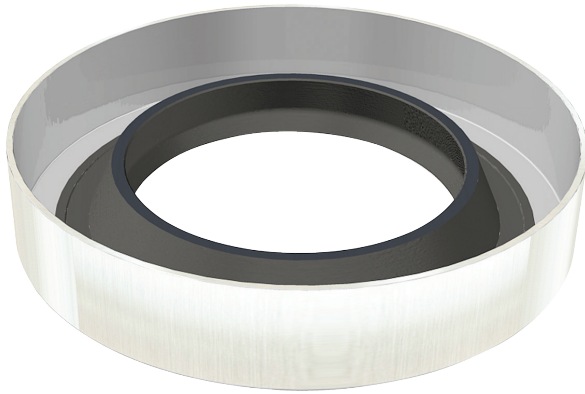
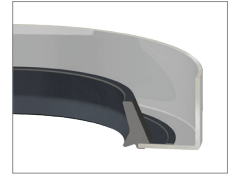
L2M



Hi-Tech Seals standard L2M is composed of a steel case with a stainless steel spring, and a nitrile lip. The L2M seal is also available in Viton™ and silicone.

Part Number	Imperial			Metric Equivalent			Garlock Ref. #
	A Shaft Dia.	B Groove Dia.	C Groove Width	A Shaft Dia.	B Groove Dia.	C Groove Width	
O 78759375687L2M	7.875	9.375	0.687	200.02	238.12	17.45	21238-64X-9176
O 80009500687L2M	8.000	9.500	0.687	203.20	241.30	17.45	21238-64X-3921
O 825010250812L2M	8.250	10.250	0.812	209.55	260.35	20.62	21238-64X-4499
O 83759875687L2M	8.375	9.875	0.687	212.72	250.82	17.45	21238-64X-3933
O 850010000687L2M	8.500	10.000	0.687	215.90	254.00	17.45	21238-64X-8453
O 862510125687L2M	8.625	10.125	0.687	219.07	257.17	17.45	21238-64X-3939
O 875010250687L2M	8.750	10.250	0.687	222.25	260.35	17.45	21238-64X-3946
O 900010500687L2M	9.000	10.500	0.687	228.60	266.70	17.45	21238-64X-3954
O 912510625687L2M	9.125	10.625	0.687	231.77	269.87	17.45	21238-64X-3957
O 925010750687L2M	9.250	10.750	0.687	234.95	273.05	17.45	21238-64X-3963
O 937511375812L2M	9.375	11.375	0.812	238.12	288.92	20.62	21238-64X-4610
O 950011250750L2M	9.500	11.250	0.750	241.30	285.75	19.05	21238-64X-3981
O 950011500812L2M	9.500	11.500	0.812	241.30	292.10	20.62	21238-64X-3984
O 975011250687L2M	9.750	11.250	0.687	247.65	285.75	17.45	21238-64X-3985
O 975011750687L2M	9.750	11.750	0.687	247.65	298.45	17.45	21238-64X-9425
O 1000011500687L2M	10.000	11.500	0.687	254.00	292.10	17.45	21238-64X-3992
O 1000012000812L2M	10.000	12.000	0.812	254.00	304.80	20.62	21238-64X-3997
O 1000012250812L2M	10.000	12.250	0.812	254.00	311.15	20.62	21238-64X-3669
O 1012511625687L2M	10.125	11.625	0.687	257.17	295.27	17.45	21238-64X-3999
O 1012511750687L2M	10.125	11.750	0.687	257.17	298.45	17.45	21238-64X-5989
O 1025011750687L2M	10.250	11.750	0.687	260.35	298.45	17.45	21238-64X-4004
O 1050012000687L2M	10.500	12.000	0.687	266.70	304.80	17.45	21238-64X-4011
O 1050012500812L2M	10.500	12.500	0.812	266.70	317.50	20.62	21238-64X-4017
O 1075012250687L2M	10.750	12.250	0.687	273.05	311.15	17.45	21238-64X-4023
O 1075012500875L2M	10.750	12.500	0.875	273.05	317.50	22.22	21238-64X-4033
O 1075012750625L2M	10.750	12.750	0.625	273.05	323.85	15.87	21238-64X-3014
O 1087512375687L2M	10.875	12.375	0.687	276.22	314.32	17.45	21238-64X-4027
O 1087512500687L2M	10.875	12.500	0.687	276.22	317.50	17.45	21238-64X-4028
O 1100012500687L2M	11.000	12.500	0.687	279.40	317.50	17.45	21238-64X-4611
O 1100013500687L2M	11.000	13.500	0.687	279.40	342.90	17.45	21238-64X-3060
O 1125012750750L2M	11.250	12.750	0.750	285.75	323.85	19.05	21238-64X-4046
O 1125012750687L2M	11.250	12.750	0.687	285.75	323.85	17.45	21238-64X-4527

Agricultural



Oil Seals

Part Number	I.D.	O.D.	Height
SE 10	1.219	1.979	0.406
SE 11	1.500	2.328	0.500
SE 12	1.625	2.328	0.438
SE 13	1.750	2.718	0.359
SE 14	1.625	2.562	0.250
SE 16	2.000	3.623	0.250
SE 17	2.500	3.876	0.438
SE 18	2.125	3.371	0.375
SE 19	1.000	1.781	0.469
SE 24	2.094	2.718	0.359
SE 26	2.250	3.375	0.437
SE 28	1.500	2.623	0.250
SE 29	2.000	3.148	0.250
SE 30	2.000	3.543	0.438

