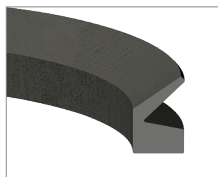


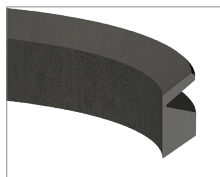


Elastomer Materials	Temp. Range	
Nitrile	-40°C	to 120°C
Viton™/Fluorocarbon	-26°C	to 204°C

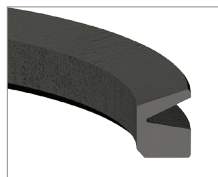
V-Seals



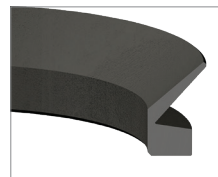
VA



VS



VL



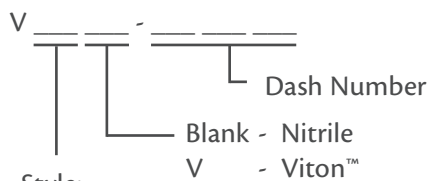
VE

Product Description

V-seals are an excellent alternative used on rotating shafts to exclude dirt, liquids, oil, sand, and other foreign materials from entering bearing housings, while also preventing grease from escaping. Additionally, they maintain excellent sealing action when the shaft is eccentric or there is some misalignment.

These seals are designed to be stretched over the shaft so that their body rotates with the shaft and holds itself in position by its elastic fit. A seal is created by the contact between the lip and the housing or bearing. As speed increases, friction decreases due to centrifugal action.

Part Numbers:

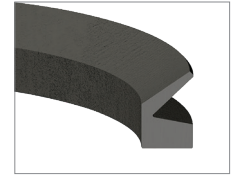
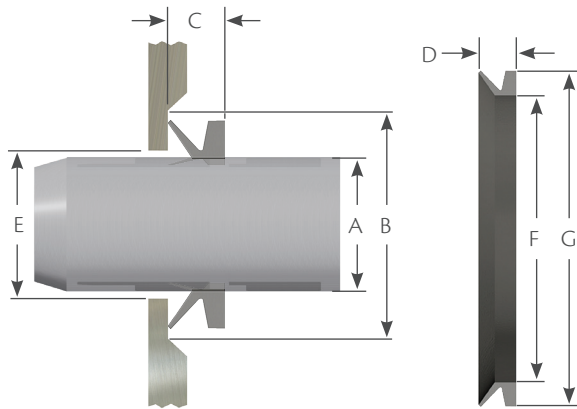


Style:

A
S
L
E

Example: VAV 100 - VA Style V-seal, Viton™, 90 mm I.D., 102 mm O.D., 11 mm Height

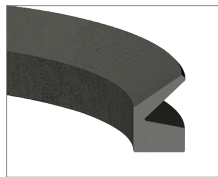
VA Style



Due to their intermediate cross-section and wide range of diameters, the VA style is the most popular of the V-seal designs.

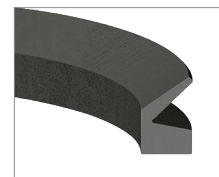
Part Number	Housing Dimensions				Seal Dimensions		
	A Shaft Diameter	E I.D.	B Groove Dia.	C Width	F I.D.	G O.D.	D Height
VA 003	2.70 - 3.50	A + 1.00	A + 4.00	2.50 ± 0.30	2.50	5.50	3.00
VA 004	3.50 - 4.50	A + 1.00	A + 6.00	3.00 ± 0.40	3.20	7.20	3.70
VA 005	4.50 - 5.50	A + 1.00	A + 6.00	3.00 ± 0.40	4.00	8.00	3.70
VA 006	5.50 - 6.50	A + 1.00	A + 6.00	3.00 ± 0.40	5.00	9.00	3.70
VA 007	6.50 - 8.00	A + 1.00	A + 6.00	3.00 ± 0.40	6.00	10.00	3.70
VA 008	8.00 - 9.50	A + 1.00	A + 6.00	3.00 ± 0.40	7.00	11.00	3.70
VA 010	9.50 - 11.50	A + 2.00	A + 9.00	4.50 ± 0.60	9.00	15.00	5.50
VA 012	11.50 - 12.50	A + 2.00	A + 9.00	4.50 ± 0.60	10.50	16.50	5.50
VA 013	12.50 - 13.50	A + 2.00	A + 9.00	4.50 ± 0.60	11.70	17.50	5.50
VA 014	13.50 - 15.50	A + 2.00	A + 9.00	4.50 ± 0.60	12.50	18.50	5.50
VA 016	15.50 - 17.50	A + 2.00	A + 9.00	4.50 ± 0.60	14.00	20.00	5.50
VA 018	17.50 - 19.00	A + 2.00	A + 9.00	4.50 ± 0.60	16.00	22.00	5.50
VA 020	19.00 - 21.00	A + 2.00	A + 12.00	6.00 ± 0.80	18.00	26.00	7.50
VA 022	21.00 - 24.00	A + 2.00	A + 12.00	6.00 ± 0.80	20.00	28.00	7.50
VA 025	24.00 - 27.00	A + 2.00	A + 12.00	6.00 ± 0.80	22.00	30.00	7.50
VA 028	27.00 - 29.00	A + 3.00	A + 12.00	6.00 ± 0.80	25.00	33.00	7.50
VA 030	29.00 - 31.00	A + 3.00	A + 12.00	6.00 ± 0.80	27.00	35.00	7.50
VA 032	31.00 - 33.00	A + 3.00	A + 12.00	6.00 ± 0.80	29.00	37.00	7.50
VA 035	33.00 - 36.00	A + 3.00	A + 12.00	6.00 ± 0.80	31.00	39.00	7.50
VA 038	36.00 - 38.00	A + 3.00	A + 12.00	6.00 ± 0.80	34.00	42.00	7.50
VA 040	38.00 - 43.00	A + 3.00	A + 15.00	7.00 ± 1.00	36.00	46.00	9.00
VA 045	43.00 - 48.00	A + 3.00	A + 15.00	7.00 ± 1.00	40.00	50.00	9.00
VA 050	48.00 - 53.00	A + 3.00	A + 15.00	7.00 ± 1.00	45.00	55.00	9.00
VA 055	53.00 - 58.00	A + 3.00	A + 15.00	7.00 ± 1.00	49.00	59.00	9.00
VA 060	58.00 - 63.00	A + 3.00	A + 15.00	7.00 ± 1.00	54.00	64.00	9.00
VA 065	63.00 - 68.00	A + 3.00	A + 15.00	7.00 ± 1.00	58.00	68.00	9.00
VA 070	68.00 - 73.00	A + 4.00	A + 18.00	9.00 ± 1.20	63.00	75.00	11.00
VA 075	73.00 - 78.00	A + 4.00	A + 18.00	9.00 ± 1.20	67.00	79.00	11.00
VA 080	78.00 - 83.00	A + 4.00	A + 18.00	9.00 ± 1.20	72.00	84.00	11.00

VA Style



Part Number	Housing Dimensions				Seal Dimensions		
	A Shaft Diameter	E I.D.	B Groove Dia.	C Width	F I.D.	G O.D.	D Height
VA 085	83.00 - 88.00	A + 4.00	A + 18.00	9.00 ± 1.20	76.00	88.00	11.00
VA 090	88.00 - 93.00	A + 4.00	A + 18.00	9.00 ± 1.20	81.00	93.00	11.00
VA 095	93.00 - 98.00	A + 4.00	A + 18.00	9.00 ± 1.20	85.00	97.00	11.00
VA 100	98.00 - 105.00	A + 4.00	A + 18.00	9.00 ± 1.20	90.00	102.00	11.00
VA 110	105.00 - 115.00	A + 4.00	A + 21.00	10.50 ± 1.50	99.00	113.00	12.80
VA 120	115.00 - 125.00	A + 4.00	A + 21.00	10.50 ± 1.50	108.00	122.00	12.80
VA 130	125.00 - 135.00	A + 4.00	A + 21.00	10.50 ± 1.50	117.00	131.00	12.80
VA 140	135.00 - 145.00	A + 4.00	A + 21.00	10.50 ± 1.50	126.00	140.00	12.80
VA 150	145.00 - 155.00	A + 4.00	A + 21.00	10.50 ± 1.50	135.00	149.00	12.80
VA 160	155.00 - 165.00	A + 5.00	A + 24.00	12.00 ± 1.80	144.00	160.00	14.50
VA 170	165.00 - 175.00	A + 5.00	A + 24.00	12.00 ± 1.80	153.00	169.00	14.50
VA 180	175.00 - 185.00	A + 5.00	A + 24.00	12.00 ± 1.80	162.00	178.00	14.50
VA 190	185.00 - 195.00	A + 5.00	A + 24.00	12.00 ± 1.80	171.00	187.00	14.50
VA 199	195.00 - 210.00	A + 5.00	A + 24.00	12.00 ± 1.80	180.00	196.00	14.50
VA 200	190.00 - 210.00	A + 10.00	A + 45.00	20.00 ± 4.00	180.00	210.00	25.00
VA 220	210.00 - 235.00	A + 10.00	A + 45.00	20.00 ± 4.00	198.00	228.00	25.00
VA 250	235.00 - 265.00	A + 10.00	A + 45.00	20.00 ± 4.00	225.00	255.00	25.00
VA 275	265.00 - 290.00	A + 10.00	A + 45.00	20.00 ± 4.00	247.00	277.00	25.00
VA 300	290.00 - 310.00	A + 10.00	A + 45.00	20.00 ± 4.00	270.00	300.00	25.00
VA 325	310.00 - 335.00	A + 10.00	A + 45.00	20.00 ± 4.00	292.00	322.00	25.00
VA 350	335.00 - 365.00	A + 10.00	A + 45.00	20.00 ± 4.00	315.00	345.00	25.00
VA 375	365.00 - 390.00	A + 10.00	A + 45.00	20.00 ± 4.00	337.00	367.00	25.00
VA 400	390.00 - 430.00	A + 10.00	A + 45.00	20.00 ± 4.00	360.00	390.00	25.00
VA 450	430.00 - 480.00	A + 10.00	A + 45.00	20.00 ± 4.00	405.00	435.00	25.00
VA 500	480.00 - 530.00	A + 10.00	A + 45.00	20.00 ± 4.00	450.00	480.00	25.00
VA 550	530.00 - 580.00	A + 10.00	A + 45.00	20.00 ± 4.00	495.00	525.00	25.00
VA 600	580.00 - 630.00	A + 10.00	A + 45.00	20.00 ± 4.00	540.00	570.00	25.00
VA 650	630.00 - 665.00	A + 10.00	A + 45.00	20.00 ± 4.00	600.00	630.00	25.00
VA 700	665.00 - 705.00	A + 10.00	A + 45.00	20.00 ± 4.00	630.00	660.00	25.00
VA 725	705.00 - 745.00	A + 10.00	A + 45.00	20.00 ± 4.00	670.00	700.00	25.00
VA 750	745.00 - 785.00	A + 10.00	A + 45.00	20.00 ± 4.00	705.00	735.00	25.00
VA 800	785.00 - 830.00	A + 10.00	A + 45.00	20.00 ± 4.00	745.00	775.00	25.00
VA 850	830.00 - 875.00	A + 10.00	A + 45.00	20.00 ± 4.00	785.00	815.00	25.00
VA 900	875.00 - 920.00	A + 10.00	A + 45.00	20.00 ± 4.00	825.00	855.00	25.00
VA 950	920.00 - 965.00	A + 10.00	A + 45.00	20.00 ± 4.00	865.00	895.00	25.00
VA 1000	965.00 - 1015.00	A + 10.00	A + 45.00	20.00 ± 4.00	910.00	940.00	25.00

VA Style

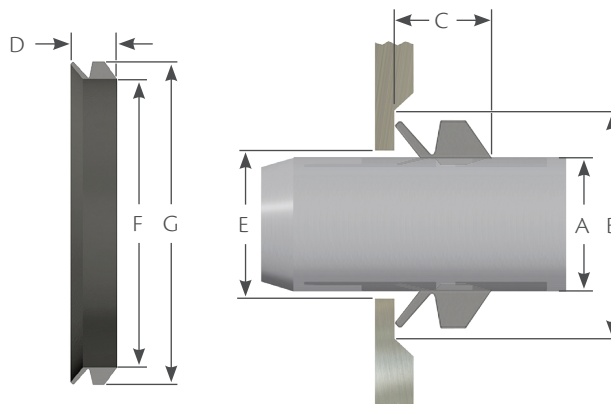
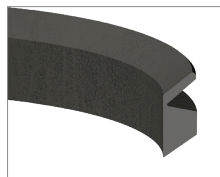


Part Number	Housing Dimensions				Seal Dimensions		
	A Shaft Diameter	E I.D.	B Groove Dia.	C Width	F I.D.	G O.D.	D Height
VA 1050	1015.00 - 1065.00	A + 10.00	A + 45.00	20.00 ± 4.00	955.00	985.00	25.00
VA 1100	1065.00 - 1115.00	A + 10.00	A + 45.00	20.00 ± 4.00	1000.00	1030.00	25.00
VA 1150	1115.00 - 1165.00	A + 10.00	A + 45.00	20.00 ± 4.00	1045.00	1075.00	25.00
VA 1200	1165.00 - 1215.00	A + 10.00	A + 45.00	20.00 ± 4.00	1090.00	1120.00	25.00
VA 1250	1215.00 - 1270.00	A + 10.00	A + 45.00	20.00 ± 4.00	1135.00	1165.00	25.00
VA 1300	1270.00 - 1320.00	A + 10.00	A + 45.00	20.00 ± 4.00	1180.00	1210.00	25.00
VA 1350	1320.00 - 1370.00	A + 10.00	A + 45.00	20.00 ± 4.00	1225.00	1255.00	25.00
VA 1400	1370.00 - 1420.00	A + 10.00	A + 45.00	20.00 ± 4.00	1270.00	1300.00	25.00
VA 1450	1420.00 - 1470.00	A + 10.00	A + 45.00	20.00 ± 4.00	1315.00	1345.00	25.00
VA 1500	1470.00 - 1520.00	A + 10.00	A + 45.00	20.00 ± 4.00	1360.00	1390.00	25.00
VA 1550	1520.00 - 1570.00	A + 10.00	A + 45.00	20.00 ± 4.00	1405.00	1435.00	25.00
VA 1600	1570.00 - 1620.00	A + 10.00	A + 45.00	20.00 ± 4.00	1450.00	1480.00	25.00
VA 1650	1620.00 - 1670.00	A + 10.00	A + 45.00	20.00 ± 4.00	1495.00	1525.00	25.00
VA 1700	1670.00 - 1720.00	A + 10.00	A + 45.00	20.00 ± 4.00	1540.00	1570.00	25.00
VA 1750	1720.00 - 1770.00	A + 10.00	A + 45.00	20.00 ± 4.00	1585.00	1615.00	25.00
VA 1800	1770.00 - 1820.00	A + 10.00	A + 45.00	20.00 ± 4.00	1630.00	1660.00	25.00
VA 1850	1820.00 - 1870.00	A + 10.00	A + 45.00	20.00 ± 4.00	1675.00	1705.00	25.00
VA 1900	1870.00 - 1920.00	A + 10.00	A + 45.00	20.00 ± 4.00	1720.00	1750.00	25.00
VA 1950	1920.00 - 1970.00	A + 10.00	A + 45.00	20.00 ± 4.00	1765.00	1795.00	25.00
VA 2000	1970.00 - 2020.00	A + 10.00	A + 45.00	20.00 ± 4.00	1810.00	1840.00	25.00

V-Seals

METRIC SEALS

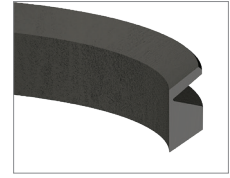
VS Style



The VS-style features a larger I.D. contact area than the VA style. The added contact with the shaft surface provides extra torque to the sealing lip.

Part Number	Housing Dimensions				Seal Dimensions		
	A Shaft Diameter	E I.D.	B Groove Dia.	C Width	F I.D.	G O.D.	D Height
VS 005	4.50 - 5.50	A + 1.00	A + 6.00	4.50 ± 0.40	4.00	8.00	5.20
VS 006	5.50 - 6.50	A + 1.00	A + 6.00	4.50 ± 0.40	5.00	9.00	5.20
VS 007	6.50 - 8.00	A + 1.00	A + 6.00	4.50 ± 0.40	6.00	10.00	5.20
VS 008	8.00 - 9.50	A + 1.00	A + 6.00	4.50 ± 0.40	7.00	11.00	5.20
VS 010	9.50 - 11.50	A + 2.00	A + 9.00	6.70 ± 0.60	9.00	15.00	7.70
VS 012	11.50 - 13.50	A + 2.00	A + 9.00	6.70 ± 0.60	10.50	16.50	7.70
VS 014	13.50 - 15.50	A + 2.00	A + 9.00	6.70 ± 0.60	12.50	18.50	7.70
VS 016	15.50 - 17.50	A + 2.00	A + 9.00	6.70 ± 0.60	14.00	20.00	7.70
VS 018	17.50 - 19.00	A + 2.00	A + 9.00	6.70 ± 0.60	16.00	22.00	7.70
VS 020	19.00 - 21.00	A + 2.00	A + 12.00	9.00 ± 0.80	18.00	26.00	10.50
VS 022	21.00 - 24.00	A + 2.00	A + 12.00	9.00 ± 0.80	20.00	28.00	10.50
VS 025	24.00 - 27.00	A + 2.00	A + 12.00	9.00 ± 0.80	22.00	30.00	10.50
VS 028	27.00 - 29.00	A + 3.00	A + 12.00	9.00 ± 0.80	25.00	33.00	10.50
VS 030	29.00 - 31.00	A + 3.00	A + 12.00	9.00 ± 0.80	27.00	35.00	10.50
VS 032	31.00 - 33.00	A + 3.00	A + 12.00	9.00 ± 0.80	29.00	37.00	10.50
VS 035	33.00 - 36.00	A + 3.00	A + 12.00	9.00 ± 0.80	31.00	39.00	10.50
VS 038	36.00 - 38.00	A + 3.00	A + 12.00	9.00 ± 0.80	34.00	42.00	10.50
VS 040	38.00 - 43.00	A + 3.00	A + 15.00	11.00 ± 1.00	36.00	46.00	13.00
VS 045	43.00 - 48.00	A + 3.00	A + 15.00	11.00 ± 1.00	40.00	50.00	13.00
VS 050	48.00 - 53.00	A + 3.00	A + 15.00	11.00 ± 1.00	45.00	55.00	13.00
VS 055	53.00 - 58.00	A + 3.00	A + 15.00	11.00 ± 1.00	49.00	59.00	13.00
VS 060	58.00 - 63.00	A + 3.00	A + 15.00	11.00 ± 1.00	54.00	64.00	13.00
VS 065	63.00 - 68.00	A + 3.00	A + 15.00	11.00 ± 1.00	58.00	68.00	13.00
VS 070	68.00 - 73.00	A + 4.00	A + 18.00	13.50 ± 1.20	63.00	75.00	15.50
VS 075	73.00 - 78.00	A + 4.00	A + 18.00	13.50 ± 1.20	67.00	79.00	15.50

VS Style

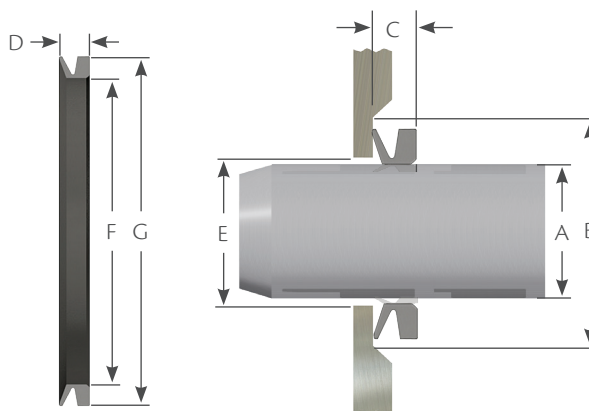
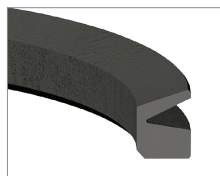


Part Number	Housing Dimensions				Seal Dimensions		
	A Shaft Diameter	E I.D.	B Groove Dia.	C Width	F I.D.	G O.D.	D Height
VS 080	78.00 - 83.00	A + 4.00	A + 18.00	13.50 ± 1.20	72.00	84.00	15.50
VS 085	83.00 - 88.00	A + 4.00	A + 18.00	13.50 ± 1.20	76.00	88.00	15.50
VS 090	88.00 - 93.00	A + 4.00	A + 18.00	13.50 ± 1.20	81.00	93.00	15.50
VS 095	93.00 - 98.00	A + 4.00	A + 18.00	13.50 ± 1.20	85.00	97.00	15.50
VS 100	98.00 - 105.00	A + 4.00	A + 18.00	13.50 ± 1.20	90.00	102.00	15.50
VS 110	105.00 - 115.00	A + 4.00	A + 21.00	15.50 ± 1.50	99.00	113.00	18.00
VS 120	115.00 - 125.00	A + 4.00	A + 21.00	15.50 ± 1.50	108.00	122.00	18.00
VS 130	125.00 - 135.00	A + 4.00	A + 21.00	15.50 ± 1.50	117.00	131.00	18.00
VS 140	135.00 - 145.00	A + 4.00	A + 21.00	15.50 ± 1.50	126.00	140.00	18.00
VS 150	145.00 - 155.00	A + 4.00	A + 21.00	15.50 ± 1.50	135.00	149.00	18.00
VS 160	155.00 - 165.00	A + 5.00	A + 24.00	18.00 ± 1.80	144.00	160.00	20.50
VS 170	165.00 - 175.00	A + 5.00	A + 24.00	18.00 ± 1.80	153.00	169.00	20.50
VS 180	175.00 - 185.00	A + 5.00	A + 24.00	18.00 ± 1.80	162.00	178.00	20.50
VS 190	185.00 - 195.00	A + 5.00	A + 24.00	18.00 ± 1.80	171.00	187.00	20.50
VS 199	195.00 - 210.00	A + 5.00	A + 24.00	18.00 ± 1.80	180.00	196.00	20.50

V-Seals

METRIC SEALS

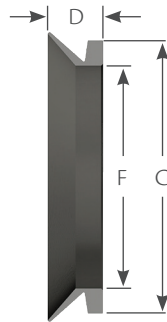
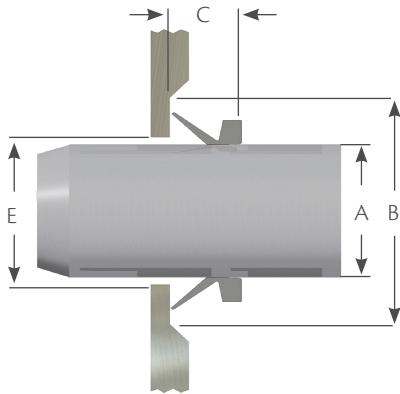
VL Style



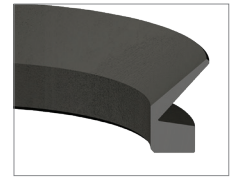
The VL-style incorporates a very thin cross-section and is used primarily where there are space limitations. VL V-seals larger than VL 600 are available upon request.

Part Number	Housing Dimensions				Seal Dimensions		
	A Shaft Diameter	E I.D.	B Groove Dia.	C Width	F I.D.	G O.D.	D Height
VL 130	125.00 - 135.00	A + 5.08	A + 20.07	7.87 ± 1.52	117.00	130.21	10.41
VL 140	135.00 - 145.00	A + 5.08	A + 20.07	7.87 ± 1.52	126.00	139.21	10.41
VL 150	145.00 - 155.00	A + 5.08	A + 20.07	7.87 ± 1.52	135.00	148.21	10.41
VL 160	155.00 - 165.00	A + 5.08	A + 20.07	7.87 ± 1.52	144.00	157.21	10.41
VL 170	165.00 - 175.00	A + 5.08	A + 20.07	7.87 ± 1.52	153.00	166.21	10.41
VL 180	175.00 - 185.00	A + 5.08	A + 20.07	7.87 ± 1.52	162.00	175.21	10.41
VL 190	185.00 - 195.00	A + 5.08	A + 20.07	7.87 ± 1.52	171.00	184.21	10.41
VL 200	195.00 - 210.00	A + 5.08	A + 20.07	7.87 ± 1.52	182.00	195.21	10.41
VL 220	210.00 - 233.00	A + 5.08	A + 20.07	7.87 ± 1.52	198.00	211.21	10.41
VL 250	233.00 - 260.00	A + 5.08	A + 20.07	7.87 ± 1.52	225.00	238.21	10.41
VL 275	260.00 - 285.00	A + 5.08	A + 20.07	7.87 ± 1.52	247.00	260.21	10.41
VL 300	285.00 - 310.00	A + 5.08	A + 20.07	7.87 ± 1.52	270.00	283.21	10.41
VL 320	310.00 - 335.00	A + 5.08	A + 20.07	7.87 ± 1.52	292.00	305.21	10.41
VL 350	335.00 - 365.00	A + 5.08	A + 20.07	7.87 ± 1.52	315.00	328.21	10.41
VL 375	365.00 - 385.00	A + 5.08	A + 20.07	7.87 ± 1.52	337.00	350.21	10.41
VL 400	385.00 - 410.00	A + 5.08	A + 20.07	7.87 ± 1.52	360.00	373.21	10.41
VL 425	410.00 - 440.00	A + 5.08	A + 20.07	7.87 ± 1.52	382.00	395.21	10.41
VL 450	440.00 - 475.00	A + 5.08	A + 20.07	7.87 ± 1.52	405.00	418.21	10.41
VL 500	475.00 - 510.00	A + 5.08	A + 20.07	7.87 ± 1.52	450.00	463.21	10.41
VL 550	540.00 - 575.00	A + 5.08	A + 20.07	7.87 ± 1.52	495.00	508.21	10.41
VL 600	575.00 - 625.00	A + 5.08	A + 20.07	7.87 ± 1.52	540.00	553.21	10.41

VE Style



Seal Height (D)	=	65.02
Seal O.D. (G)	=	I.D. + 59.94
Housing Height (C)	=	50.80 ± 12.70
Housing I.D. (E)	=	A + 23.87
Housing O.D. (B)	=	A + 115.06



Due to its extra long sealing lip, the VE-style V-seal is used in applications where the housing is abnormally far away from the shaft. Additional sizes are available upon request.

Part Number	A Shaft Diameter	F Actual Seal I.D.
VE 450	450.00 - 455.00	439.00
VE 455	455.00 - 460.00	444.00
VE 460	460.00 - 465.00	448.00
VE 465	465.00 - 470.00	453.00
VE 470	470.00 - 475.00	458.00
VE 475	475.00 - 480.00	463.00
VE 480	480.00 - 485.00	468.00
VE 485	485.00 - 490.00	473.00
VE 490	490.00 - 495.00	478.00
VE 495	495.00 - 500.00	483.00
VE 500	500.00 - 505.00	488.00
VE 505	505.00 - 510.00	493.00
VE 510	510.00 - 515.00	497.00
VE 515	515.00 - 520.00	502.00
VE 520	520.00 - 525.00	507.00
VE 525	525.00 - 530.00	512.00
VE 530	530.00 - 535.00	517.00
VE 535	535.00 - 540.00	521.00
VE 540	540.00 - 545.00	526.00
VE 545	545.00 - 550.00	531.00
VE 550	550.00 - 555.00	536.00
VE 555	555.00 - 560.00	541.00
VE 560	560.00 - 565.00	546.00
VE 565	565.00 - 570.00	550.00
VE 570	570.00 - 575.00	555.00
VE 575	575.00 - 580.00	560.00
VE 580	580.00 - 585.00	565.00
VE 585	585.00 - 590.00	570.00
VE 590	590.00 - 600.00	575.00
VE 600	600.00 - 610.00	582.00
VE 610	610.00 - 620.00	592.00
VE 620	620.00 - 630.00	602.00
VE 630	630.00 - 640.00	612.00
VE 640	640.00 - 650.00	621.00
VE 650	650.00 - 660.00	631.00

Part Number	A Shaft Diameter	F Actual Seal I.D.
VE 660	660.00 - 670.00	640.00
VE 670	670.00 - 680.00	650.00
VE 680	680.00 - 690.00	660.00
VE 690	690.00 - 700.00	670.00
VE 700	700.00 - 710.00	680.00
VE 710	710.00 - 720.00	689.00
VE 720	720.00 - 730.00	699.00
VE 730	730.00 - 740.00	709.00
VE 740	740.00 - 750.00	718.00
VE 750	750.00 - 758.00	728.00
VE 760	758.00 - 766.00	735.00
VE 770	766.00 - 774.00	743.00
VE 780	774.00 - 783.00	751.00
VE 790	783.00 - 792.00	759.00
VE 800	792.00 - 801.00	768.00
VE 810	801.00 - 810.00	777.00
VE 820	810.00 - 821.00	786.00
VE 830	821.00 - 831.00	796.00
VE 840	831.00 - 841.00	805.00
VE 850	841.00 - 851.00	814.00
VE 860	851.00 - 861.00	824.00
VE 870	861.00 - 871.00	833.00
VE 880	871.00 - 882.00	843.00
VE 890	882.00 - 892.00	853.00
VE 900	892.00 - 912.00	871.00
VE 920	912.00 - 922.00	880.00
VE 930	922.00 - 933.00	890.00
VE 940	933.00 - 944.00	900.00
VE 950	944.00 - 955.00	911.00
VE 960	955.00 - 966.00	921.00
VE 970	966.00 - 977.00	932.00
VE 980	977.00 - 988.00	942.00
VE 990	988.00 - 999.00	953.00
VE 1000	999.00 - 1010.00	963.00
VE 1020	1010.00 - 1025.00	973.00

Part Number	A Shaft Diameter	F Actual Seal I.D.
VE 1040	1025.00 - 1045.00	990.00
VE 1060	1045.00 - 1065.00	1008.00
VE 1080	1065.00 - 1085.00	1027.00
VE 1100	1085.00 - 1105.00	1045.00
VE 1120	1105.00 - 1125.00	1065.00
VE 1140	1125.00 - 1145.00	1084.00
VE 1160	1145.00 - 1165.00	1103.00
VE 1180	1165.00 - 1185.00	1121.00
VE 1200	1185.00 - 1205.00	1139.00
VE 1220	1205.00 - 1225.00	1157.00
VE 1240	1225.00 - 1245.00	1176.00
VE 1260	1245.00 - 1270.00	1195.00
VE 1280	1270.00 - 1295.00	1218.00
VE 1300	1296.00 - 1315.00	1240.00
VE 1325	1315.00 - 1340.00	1259.00
VE 1350	1340.00 - 1365.00	1281.00
VE 1375	1365.00 - 1390.00	1305.00
VE 1400	1390.00 - 1415.00	1328.00
VE 1425	1415.00 - 1440.00	1350.00
VE 1450	1440.00 - 1465.00	1374.00
VE 1475	1465.00 - 1490.00	1397.00
VE 1500	1490.00 - 1515.00	1419.00
VE 1525	1515.00 - 1540.00	1443.00
VE 1550	1540.00 - 1570.00	1467.00
VE 1575	1570.00 - 1600.00	1495.00
VE 1600	1600.00 - 1640.00	1524.00
VE 1650	1640.00 - 1680.00	1559.00
VE 1700	1680.00 - 1720.00	1596.00
VE 1750	1720.00 - 1765.00	1632.00
VE 1800	1765.00 - 1810.00	1671.00
VE 1850	1810.00 - 1855.00	1714.00
VE 1900	1855.00 - 1905.00	1753.00
VE 1950	1905.00 - 1955.00	1794.00
VE 2000	1955.00 - 2010.00	1844.00