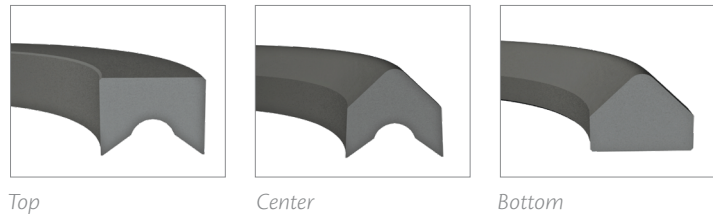
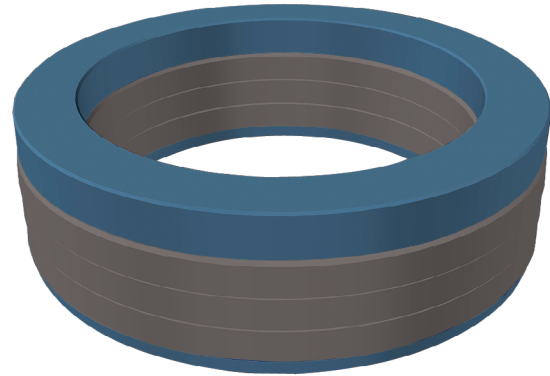


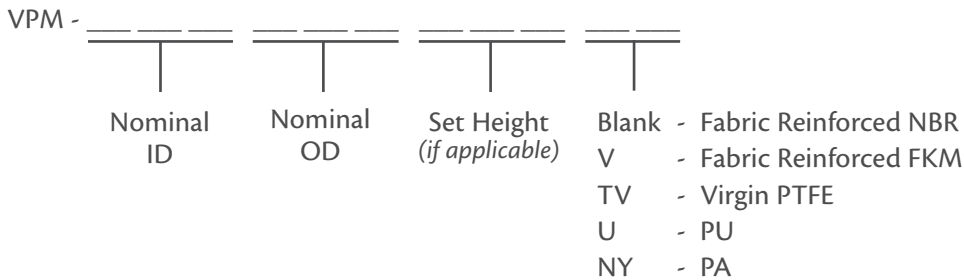
Seal Materials	Temp. Range
Nitrile (NBR)	-40°C to 120°C
Chloroprene (CR)	-40°C to 121°C
Viton™/Fluorocarbon (FKM)	-26°C to 204°C
Ethylene Propylene (EPDM)	-54°C to 150°C
Hydrogenated Nitrile (HNBR)	-40°C to 160°C
Aflas® (FEPM)	-9°C to 232°C
Fluorosilicone (FVMQ)	-56°C to 204°C
Hytrell®/Fluorotrel™ (TPC-ET)	-54°C to 149°C
Polytetrafluoroethylene (PTFE)	-260°C to 260°C
Reinforced PTFE	-260°C to 260°C
Reinforced Elastomers	Various
Adapter Materials	
Nylon/Polyamide (PA)	-30°C to 93°C
KasPex™ PEEK	-70°C to 260°C
Polytetrafluoroethylene (PTFE)	-260°C to 260°C
Reinforced PTFE	-260°C to 260°C
Reinforced Elastomers	Various



Product Description

Vee packing is a popular, highly adaptable sealing product. It is typically used in adjustable gland applications such as telescoping truck hoists, pumps, and valves. Vee packing sets are composed of a top and bottom component with a varying number of center vees. Vee packing can be optimized by altering materials to accommodate different chemicals, temperatures, and pressures.

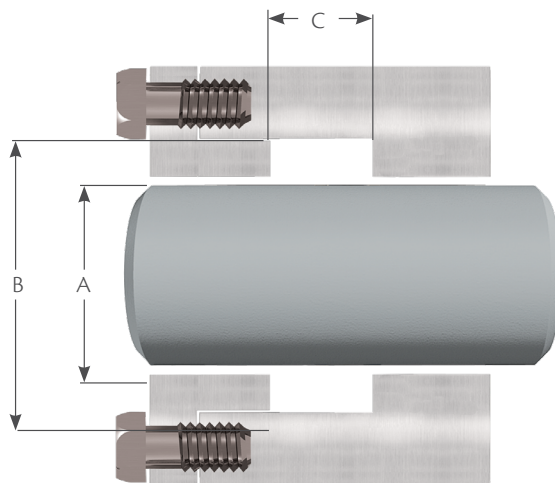
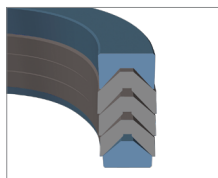
Part Numbers:



Example: VPM 190-220-505 - 190 mm ID, 220 mm OD, 50.5 mm Set Height, Fabric Reinforced NBR Vee Packing Set

Example: VPM 125-140-V - 125 mm ID, 140 mm OD, Fabric Reinforced FKM Center Vee

Sets



Vee-Packing

Part Number	A Shaft Diameter	B Groove Diameter	C Groove Width
VPM 2028145	20.00	28.00	14.50
VPM 203016	20.00	30.00	16.00
VPM 2030185	20.00	30.00	18.50
VPM 2030215	20.00	30.00	21.50
VPM 2032225	20.00	32.00	22.50
VPM 2040175	20.00	40.00	17.50
VPM 2230145	22.00	30.00	14.50
VPM 223216	22.00	32.00	16.00
VPM 2232185	22.00	32.00	18.50
VPM 223220	22.00	32.00	20.00
VPM 2240225	22.00	40.00	22.50
VPM 2533145	25.00	33.00	14.50
VPM 253516	25.00	35.00	16.00
VPM 2535225	25.00	35.00	22.50
VPM 2537225	25.00	37.00	22.50
VPM 2540175	25.00	40.00	17.50
VPM 2540225	25.00	40.00	22.50
VPM 283816	28.00	38.00	16.00
VPM 2840225	28.00	40.00	22.50
VPM 284325	28.00	43.00	25.00
VPM 2844235	28.00	44.00	23.50
VPM 3042225	30.00	42.00	22.50
VPM 3045222	30.00	45.00	22.20
VPM 3050275	30.00	50.00	27.50
VPM 324216	32.00	42.00	16.00
VPM 3244225	32.00	44.00	22.50
VPM 3247225	32.00	47.00	22.50

Part Number	A Shaft Diameter	B Groove Diameter	C Groove Width
VPM 324725	32.00	47.00	25.00
VPM 3547225	35.00	47.00	22.50
VPM 3550225	35.00	50.00	22.50
VPM 355128	35.00	51.00	28.00
VPM 364616	36.00	46.00	16.00
VPM 3648225	36.00	48.00	22.50
VPM 3651225	36.00	51.00	22.50
VPM 365125	36.00	51.00	25.00
VPM 3652225	36.00	52.00	22.50
VPM 385840	38.00	58.00	40.00
VPM 405016	40.00	50.00	16.00
VPM 4052225	40.00	52.00	22.50
VPM 4055225	40.00	55.00	22.50
VPM 405525	40.00	55.00	25.00
VPM 406030	40.00	60.00	30.00
VPM 4254225	42.00	54.00	22.50
VPM 4257225	42.00	57.00	22.50
VPM 455516	45.00	55.00	16.00
VPM 4555175	45.00	55.00	17.50
VPM 4560225	45.00	60.00	22.50
VPM 456025	45.00	60.00	25.00
VPM 456129	45.00	61.00	29.00
VPM 4565275	45.00	65.00	27.50
VPM 456528	45.00	65.00	28.00
VPM 486025	48.00	60.00	25.00
VPM 506016	50.00	60.00	16.00
VPM 5065225	50.00	65.00	22.50

Part Number	A Shaft Diameter	B Groove Diameter	C Groove Width
VPM 506525	50.00	65.00	25.00
VPM 507026	50.00	70.00	26.00
VPM 507029	50.00	70.00	29.00
VPM 507030	50.00	70.00	30.00
VPM 527226	52.00	72.00	26.00
VPM 527230	52.00	72.00	30.00
VPM 556725	55.00	67.00	25.00
VPM 5570225	55.00	70.00	22.50
VPM 5570265	55.00	70.00	26.50
VPM 557530	55.00	75.00	30.00
VPM 557535	55.00	75.00	35.00
VPM 557538	55.00	75.00	38.00
VPM566820	56.00	68.00	20.00
VPM 5671185	56.00	71.00	18.50
VPM 5671225	56.00	71.00	22.50
VPM 567125	56.00	71.00	25.00
VPM 567620	56.00	76.00	20.00
VPM 5676225	56.00	76.00	22.50
VPM 567632	56.00	76.00	32.00
VPM 567639	56.00	76.00	39.00
VPM 6075225	60.00	75.00	22.50
VPM 607629	60.00	76.00	29.00
VPM 607727	60.00	77.00	27.00
VPM 608030	60.00	80.00	30.00
VPM 608037	60.00	80.00	37.00
VPM 6378225	63.00	78.00	22.50
VPM 637825	63.00	78.00	25.00
VPM 638329	63.00	83.00	29.00
VPM 638332	63.00	83.00	32.00
VPM 638337	63.00	83.00	37.00
VPM 638532	63.00	85.00	32.00
VPM 657721	65.00	77.00	21.00
VPM 6580225	65.00	80.00	22.50
VPM 658029	65.00	80.00	29.00
VPM 658529	65.00	85.00	29.00
VPM 658532	65.00	85.00	32.00
VPM 658535	65.00	85.00	35.00
VPM 658540	65.00	85.00	40.00
VPM 7085225	70.00	85.00	22.50
VPM 708525	70.00	85.00	25.00

Part Number	A Shaft Diameter	B Groove Diameter	C Groove Width
VPM 708528	70.00	85.00	28.00
VPM 709022	70.00	90.00	22.00
VPM 709030	70.00	90.00	30.00
VPM 709032	70.00	90.00	32.00
VPM 7590225	75.00	90.00	22.50
VPM 759530	75.00	95.00	30.00
VPM 759540	75.00	95.00	40.00
VPM 75100375	75.00	100.00	37.50
VPM 789330	78.00	93.00	30.00
VPM 8095175	80.00	95.00	17.50
VPM 8095225	80.00	95.00	22.50
VPM 809525	80.00	95.00	25.00
VPM 8010030	80.00	100.00	30.00
VPM 8010032	80.00	100.00	32.00
VPM 8010040	80.00	100.00	40.00
VPM 85100225	85.00	100.00	22.50
VPM 8510540	85.00	105.00	40.00
VPM 90105225	90.00	105.00	22.50
VPM 9010525	90.00	105.00	25.00
VPM 9010527	90.00	105.00	27.00
VPM 9010533	90.00	105.00	33.00
VPM 9011032	90.00	110.00	32.00
VPM 9011040	90.00	110.00	40.00
VPM 9011045	90.00	110.00	45.00
VPM 95110225	95.00	110.00	22.50
VPM 10011530	100.00	115.00	30.00
VPM 10011532	100.00	115.00	32.00
VPM 10012030	100.00	120.00	30.00
VPM 10012032	100.00	120.00	32.00
VPM 10012040	100.00	120.00	40.00
VPM 10012535	100.00	125.00	35.00
VPM 10012537	100.00	125.00	37.00
VPM 10012540	100.00	125.00	40.00
VPM 10013032	100.00	130.00	32.00
VPM 10413037	104.00	130.00	37.00
VPM 10512025	105.00	120.00	25.00
VPM 10512030	105.00	120.00	30.00
VPM 10513040	105.00	130.00	40.00
VPM 11012521	110.00	125.00	21.00
VPM 11012530	110.00	125.00	30.00

Sets

Vee-Packing

Part Number	A	B	C
	Shaft Diameter	Groove Diameter	Groove Width
VPM 11013030	110.00	130.00	30.00
VPM 11013040	110.00	130.00	40.00
VPM 11013540	110.00	135.00	40.00
VPM 11513030	115.00	130.00	30.00
VPM 11514038	115.00	140.00	38.00
VPM 11514046	115.00	140.00	46.00
VPM 12013532	120.00	135.00	32.00
VPM 12014025	120.00	140.00	25.00
VPM 12014030	120.00	140.00	30.00
VPM 12014040	120.00	140.00	40.00
VPM 12014546	120.00	145.00	46.00
VPM 12015044	120.00	150.00	44.00
VPM 12514030	125.00	140.00	30.00
VPM 12514034	125.00	140.00	34.00
VPM 12514532	125.00	145.00	32.00
VPM 12515034	125.00	150.00	34.00
VPM 12515040	125.00	150.00	40.00
VPM 12515046	125.00	150.00	46.00
VPM 13015040	130.00	150.00	40.00
VPM 13015546	130.00	155.00	46.00
VPM 130160415	130.00	160.00	41.50
VPM 14015534	140.00	155.00	34.00
VPM 140160285	140.00	160.00	28.50
VPM 14016032	140.00	160.00	32.00
VPM 14016533	140.00	165.00	33.00
VPM 14016540	140.00	165.00	40.00
VPM 14016546	140.00	165.00	46.00
VPM 14017039	140.00	170.00	39.00
VPM 14017046	140.00	170.00	46.00
VPM14517849	145.00	178.00	49.00
VPM 15016526	150.00	165.00	26.00
VPM 15017025	150.00	170.00	25.00
VPM 15017040	150.00	170.00	40.00
VPM 150180305	150.00	180.00	30.50
VPM 15018040	150.00	180.00	40.00
VPM 15018046	150.00	180.00	46.00
VPM 15018060	150.00	180.00	60.00
VPM 16018032	160.00	180.00	32.00
VPM 16018040	160.00	180.00	40.00
VPM 16018540	160.00	185.00	40.00

Part Number	A	B	C
	Shaft Diameter	Groove Diameter	Groove Width
VPM 16019033	160.00	190.00	33.00
VPM 16019047	160.00	190.00	47.00
VPM 16019050	160.00	190.00	50.00
VPM 16019060	160.00	190.00	60.00
VPM 16019552	160.00	195.00	52.00
VPM 165195505	165.00	195.00	50.50
VPM 170195375	170.00	195.00	37.50
VPM 17020045	170.00	200.00	45.00
VPM 17020060	170.00	200.00	60.00
VPM 17520042	175.00	200.00	42.00
VPM 18020040	180.00	200.00	40.00
VPM 18020540	180.00	205.00	40.00
VPM 18021033	180.00	210.00	33.00
VPM 18021050	180.00	210.00	50.00
VPM 18021060	180.00	210.00	60.00
VPM 18521024	185.00	210.00	24.00
VPM 19022045	190.00	220.00	45.00
VPM 190220505	190.00	220.00	50.50
VPM 19022060	190.00	220.00	60.00
VPM 19522547	195.00	225.00	47.00
VPM 20022040	200.00	220.00	40.00
VPM 20022540	200.00	225.00	40.00
VPM 20023033	200.00	230.00	33.00
VPM 200230375	200.00	230.00	37.50
VPM 20023045	200.00	230.00	45.00
VPM 20023048	200.00	230.00	48.00
VPM 20023050	200.00	230.00	50.00
VPM 20023060	200.00	230.00	60.00
VPM 205225195	205.00	225.00	19.50
VPM 21024060	210.00	240.00	60.00
VPM 220250325	220.00	250.00	32.50
VPM 220250475	220.00	250.00	47.50
VPM 22025050	220.00	250.00	50.00
VPM 22025060	220.00	250.00	60.00
VPM 22025066	220.00	250.00	66.00
VPM 22425433	224.00	254.00	33.00
VPM 22525533	225.00	255.00	33.00
VPM 22525545	225.00	255.00	45.00
VPM 22525560	225.00	255.00	60.00
VPM 22526537	225.00	265.00	37.00

	A	B	C
Part Number	Shaft Diameter	Groove Diameter	Groove Width
VPM 230260525	230.00	260.00	52.50
VPM 23026060	230.00	260.00	60.00
VPM 23026065	230.00	260.00	65.00
VPM 24027045	240.00	270.00	45.00
VPM 240270485	240.00	270.00	48.50
VPM 24027060	240.00	270.00	60.00
VPM 24027064	240.00	270.00	64.00
VPM 25028032	250.00	280.00	32.00
VPM 25028033	250.00	280.00	33.00
VPM 25028045	250.00	280.00	45.00
VPM 25028050	250.00	280.00	50.00
VPM 25028060	250.00	280.00	60.00
VPM26029049	260.00	290.00	49.00
VPM 26029060	260.00	290.00	60.00
VPM 27030030	270.00	300.00	30.00
VPM 270300325	270.00	300.00	32.50
VPM 270300375	270.00	300.00	37.50
VPM 27030060	270.00	300.00	60.00
VPM 27030070	270.00	300.00	70.00
VPM 28031050	280.00	310.00	50.00
VPM 28031060	280.00	310.00	60.00
VPM 280315385	280.00	315.00	38.50
VPM 28031545	280.00	315.00	45.00
VPM 28032080	280.00	320.00	80.00
VPM 29032060	290.00	320.00	60.00
VPM 29033080	290.00	330.00	80.00
VPM 30033060	300.00	330.00	60.00
VPM 30034080	300.00	340.00	80.00
VPM 31033030	310.00	330.00	30.00
VPM 31033040	310.00	330.00	40.00

	A	B	C
Part Number	Shaft Diameter	Groove Diameter	Groove Width
VPM 31034060	310.00	340.00	60.00
VPM 31035080	310.00	350.00	80.00
VPM 32035060	320.00	350.00	60.00
VPM 32036060	320.00	360.00	60.00
VPM 32036063	320.00	360.00	63.00
VPM 32036080	320.00	360.00	80.00
VPM 32036555	320.00	365.00	55.00
VPM 33036060	330.00	360.00	60.00
VPM 33037080	330.00	370.00	80.00
VPM 34037060	340.00	370.00	60.00
VPM 34038054	340.00	380.00	54.00
VPM 34038060	340.00	380.00	60.00
VPM 34038080	340.00	380.00	80.00
VPM 35038060	350.00	380.00	60.00
VPM 35039060	350.00	390.00	60.00
VPM 35039080	350.00	390.00	80.00
VPM 36039047	360.00	390.00	47.00
VPM 36039060	360.00	390.00	60.00
VPM 36040060	360.00	400.00	60.00
VPM 36040063	360.00	400.00	63.00
VPM 36040080	360.00	400.00	80.00
VPM 36940045	369.00	400.00	45.00
VPM 400430525	400.00	430.00	52.50
VPM 40045065	400.00	450.00	65.00
VPM 45051070	450.00	510.00	70.00
VPM 46050060	460.00	500.00	60.00
VPM 46350055	463.00	500.00	55.00
VPM 50053580	500.00	535.00	80.00
VPM 57061080	570.00	610.00	80.00