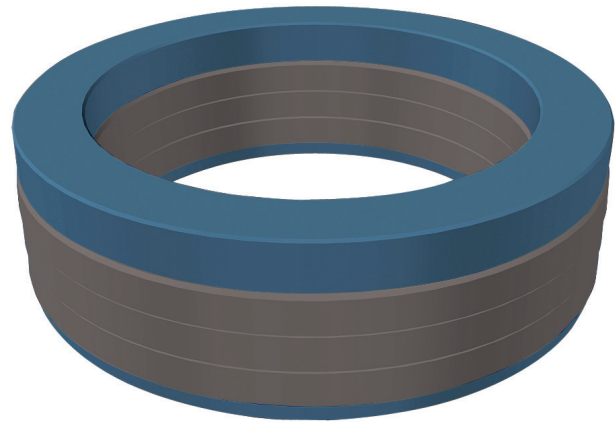


Elastomer Materials	Temp. Range
Nitrile	-40°C to 120°C
Chloroprene	-40°C to 121°C
Viton™/Fluorocarbon	-26°C to 204°C
EPDM	-54°C to 150°C
Hydrogenated Nitrile	-40°C to 160°C
Aflas® FEPM	-9°C to 232°C
Plastic Materials	
Nylon	-30°C to 93°C
Hytrell®	-54°C to 149°C
PEEK	-70°C to 260°C
PTFE	-268°C to 232°C



Top (1)

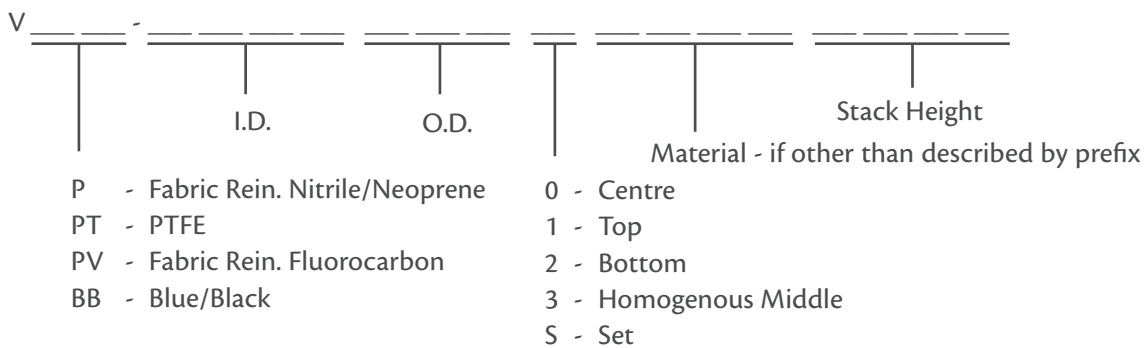
Centre (0)

Bottom (2)

Product Description

Vee packing is a popular, highly adaptable sealing product. It is typically used in adjustable gland applications such as telescoping truck hoists, pumps, and valves. Vee packing sets are composed of a top and bottom component with a varying number of centre vees. Vee packing can be optimized by altering materials to accommodate different chemicals, temperatures, and pressures.

Part Numbers:



Example: VP 01870751 - Vee Packing, Top, Fabric Reinforced Female, 3/16" I.D., 3/4" O.D.

Vee Packing



The following Vee packing sizes are also available in PTFE (VPT) and Viton™/Fluorocarbon (VPV).

Part numbers ending with a 0, from the list below, represent center Vees. To indicate female (top) Vees replace 0 with a 1, and to indicate male (bottom) Vees replace 0 with a 2.

Example: VP 01870750 (Vee) - VP 01870751 (Top) - VP 01870752 (Bottom)

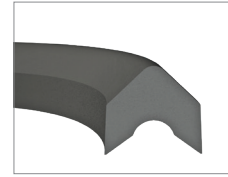
# of Middle Pieces	Rubber System Pressure (PSI)	Fabric Reinforced System Pressure (PSI)
2	500	1000
3	1000	1500
4	2000	3000
5	3000	5000
6	5000	10000

Part Number	I.D.	O.D.
VP 01870750	3/16	3/4
VP 02500620	1/4	5/8
VP 02500870	1/4	7/8
VP 03750750	3/8	3/4
VP 03750870	3/8	7/8
VP 03751000	3/8	1
VP 05000870	1/2	7/8
VP 05001000	1/2	1
VP 06251000	5/8	1
VP 06251120	5/8	1 - 1/8
VP 06251250	5/8	1 - 1/4
VP 07501120	3/4	1 - 1/8
VP 07501250	3/4	1 - 1/4
VP 07501370	3/4	1 - 3/8
VP 07501500	3/4	1 - 1/2

Part Number	I.D.	O.D.
VP 08121310	13/16	1 - 5/16
VP 08751250	7/8	1 - 1/4
VP 08751370	7/8	1 - 3/8
VP 08751500	7/8	1 - 1/2
VP 10001370	1	1 - 3/8
VP 10001500	1	1 - 1/2
VP 10001620	1	1 - 5/8
VP 10001750	1	1 - 3/4
VP 11251620	1 - 1/8	1 - 5/8
VP 11251750	1 - 1/8	1 - 3/4
VP 11871560	1 - 3/16	1 - 9/16
VP 12501620	1 - 1/4	1 - 5/8
VP 12501750	1 - 1/4	1 - 3/4
VP 12501870	1 - 1/4	1 - 7/8
VP 12502000	1 - 1/4	2

Part Number	I.D.	O.D.
VP 12502250	1 - 1/4	2 - 1/4
VP 13121810	1 - 5/16	1 - 13/16
VP 13751870	1 - 3/8	1 - 7/8
VP 13752000	1 - 3/8	2
VP 13752120	1 - 3/8	2 - 1/8
VP 15001870	1 - 1/2	1 - 7/8
VP 15002000	1 - 1/2	2
VP 15002120	1 - 1/2	2 - 1/8
VP 15002250	1 - 1/2	2 - 1/4
VP 15002500	1 - 1/2	2 - 1/2
VP 16252120	1 - 5/8	2 - 1/8
VP 16252250	1 - 5/8	2 - 1/4
VP 16252375	1 - 5/8	2 - 3/8
VP 17502250	1 - 3/4	2 - 1/4
VP 17502310	1 - 3/4	2 - 5/16

Vee Packing



Vee Packing

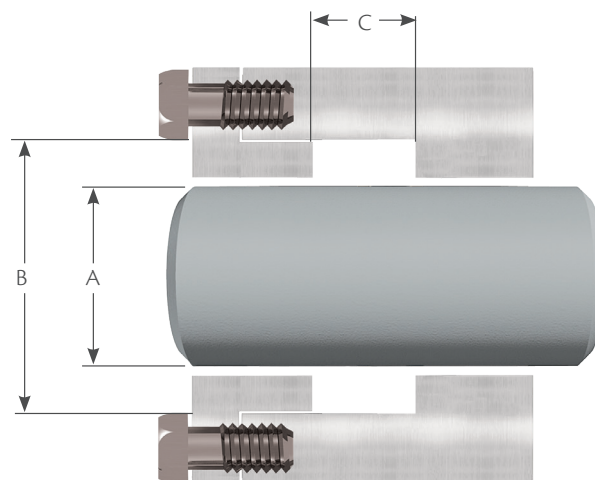
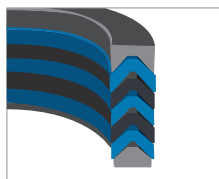
Part Number	I.D.	O.D.
VP 17502370	1 - 3/4	2 - 3/8
VP 17502500	1 - 3/4	2 - 1/2
VP 17502750	1 - 3/4	2 - 3/4
VP 18752370	1 - 7/8	2 - 3/8
VP 18752500	1 - 7/8	2 - 1/2
VP 18752625	1 - 7/8	2 - 5/8
VP 19372430	1 - 15/16	2 - 7/16
VP 20002500	2	2 - 1/2
VP 20002620	2	2 - 5/8
VP 20002750	2	2 - 3/4
VP 20003000	2	3
VP 21252620	2 - 1/8	2 - 5/8
VP 21252750	2 - 1/8	2 - 3/4
VP 21253000	2 - 1/8	3
VP 22502750	2 - 1/4	2 - 3/4
VP 22502870	2 - 1/4	2 - 7/8
VP 22503000	2 - 1/4	3
VP 22503250	2 - 1/4	3 - 1/4
VP 23752870	2 - 3/8	2 - 7/8
VP 23753000	2 - 3/8	3
VP 23753120	2 - 3/8	3 - 1/8
VP 24373310	2 - 7/16	3 - 5/16
VP 25002870	2 - 1/2	2 - 7/8
VP 25003000	2 - 1/2	3
VP 25003120	2 - 1/2	3 - 1/8
VP 25003250	2 - 1/2	3 - 1/4
VP 25003500	2 - 1/2	3 - 1/2
VP 26253120	2 - 5/8	3 - 1/8
VP 26253250	2 - 5/8	3 - 1/4
VP 27503250	2 - 3/4	3 - 1/4
VP 27503370	2 - 3/4	3 - 3/8
VP 27503500	2 - 3/4	3 - 1/2
VP 27503750	2 - 3/4	3 - 3/4
VP 28753370	2 - 7/8	3 - 3/8
VP 28753500	2 - 7/8	3 - 1/2
VP 28753620	2 - 7/8	3 - 5/8
VP 30003500	3	3 - 1/2
VP 30003620	3	3 - 5/8
VP 30003750	3	3 - 3/4
VP 30004000	3	4
VP 31253500	3 - 1/8	3 - 1/2

Part Number	I.D.	O.D.
VP 31253750	3 - 1/8	3 - 7/8
VP 32503620	3 - 1/4	3 - 5/8
VP 32503750	3 - 1/4	3 - 3/4
VP 32504000	3 - 1/4	4
VP 32504250	3 - 1/4	4 - 1/4
VP 32504500	3 - 1/4	4 - 1/2
VP 33753870	3 - 3/8	3 - 7/8
VP 33754000	3 - 3/8	4
VP 33754120	3 - 3/8	4 - 1/8
VP 35004000	3 - 1/2	4
VP 35004250	3 - 1/2	4 - 1/4
VP 35004500	3 - 1/2	4 - 1/2
VP 35004750	3 - 1/2	4 - 3/4
VP 35005000	3 - 1/2	5
VP 37504250	3 - 3/4	4 - 1/4
VP 37504370	3 - 3/4	4 - 3/8
VP 37504500	3 - 3/4	4 - 1/2
VP 37504750	3 - 3/4	4 - 3/4
VP 38754500	3 - 7/8	4 - 1/2
VP 40004500	4	4 - 1/2
VP 40004750	4	4 - 3/4
VP 40004870	4	4 - 7/8
VP 40005000	4	5
VP 40005120	4	5 - 1/8
VP 42504750	4 - 1/4	4 - 3/4
VP 42505000	4 - 1/4	5
VP 42505120	4 - 1/4	5 - 1/8
VP 42505250	4 - 1/4	5 - 1/4
VP 45005000	4 - 1/2	5
VP 45005120	4 - 1/2	5 - 1/8
VP 45005250	4 - 1/2	5 - 1/4
VP 45005370	4 - 1/2	5 - 3/8
VP 45005500	4 - 1/2	5 - 1/2
VP 46255250	4 - 5/8	5 - 1/4
VP 47505250	4 - 3/4	5 - 1/4
VP 47505370	4 - 3/4	5 - 3/8
VP 47505500	4 - 3/4	5 - 1/2
VP 58755500	4 - 7/8	5 - 1/2
VP 48705625	4 - 7/8	5 - 5/8
VP 50005500	5	5 - 1/2
VP 50005750	5	5 - 3/4

Part Number	I.D.	O.D.
VP 50005870	5	5 - 7/8
VP 50006000	5	6
VP 50006500	5	6 - 1/2
VP 51255620	5 - 1/8	5 - 5/8
VP 52505750	5 - 1/4	5 - 3/4
VP 52506000	5 - 1/4	6
VP 52506250	5 - 1/4	6 - 1/4
VP 55006000	5 - 1/2	6
VP 55006250	5 - 1/2	6 - 1/4
VP 55006500	5 - 1/2	6 - 1/2
VP 55007000	5 - 1/2	7
VP 57506370	5 - 3/4	6 - 3/8
VP 57506500	5 - 3/4	6 - 1/2
VP 57506750	5 - 3/4	6 - 3/4
VP 60006500	6	6 - 1/2
VP 60006750	6	6 - 3/4
VP 60007000	6	7
VP 62507000	6 - 1/4	7
VP 65007000	6 - 1/2	7
VP 65007250	6 - 1/2	7 - 1/4
VP 62507500	6 - 1/2	7 - 1/2
VP 65007750	6 - 1/2	7 - 3/4
VP 65008000	6 - 1/2	8
VP 67507250	6 - 3/4	7 - 1/4
VP 67507370	6 - 3/4	7 - 3/8
VP 67507500	6 - 3/4	7 - 1/2
VP 70007500	7	7 - 1/2
VP 70007750	7	7 - 3/4
VP 70008000	7	8
VP 75008000	7 - 1/2	8
VP 75008250	7 - 1/2	8 - 1/4
VP 75008500	7 - 1/2	8 - 1/2
VP 80008500	8	8 - 1/2
VP 80009000	8	9
VP 82509000	8 - 1/4	9
VP 90009500	9	9 - 1/2
VP 937510000	9 - 3/8	10
VP 975010500	9 - 3/4	10 - 1/2
VP 1000010750	10	10 - 3/4
VP 1100011750	11	11 - 3/4

Vee Packing

Blue/Black Sets



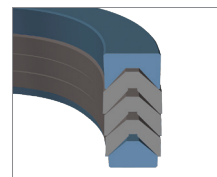
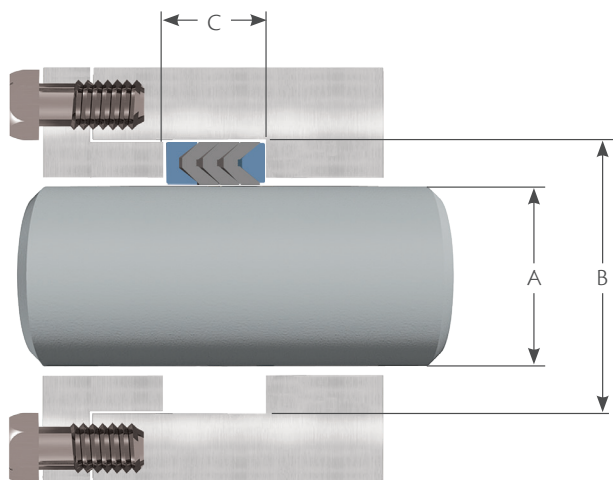
Our Blue/Black Vee packing sets are constructed of Hytrel® (blue) and nylon (black) Vees. The sets' material properties make it ideal for operation in fire resistant fluids. Blue/Black Vee packing sets are commonly used in heavy equipment and mining applications.

Sets ending with a G include the guidelock component. Guidelocks can also be purchased separately through us. Additional sizes and sets are available upon request.

Part Number	A Shaft Diameter	B Groove Diameter	C Groove Width	Top Vee Height	Set
VBB 15002000	1 - 1/2	2	1	1/4	1 - 5 - 1
VBB 20002500	2	2 - 1/2	1	1/4	1 - 5 - 1
VBB 20002500175G	2	2 - 1/2	1 - 3/4	1	1 - 5 - 1
VBB 22502750	2 - 1/4	2 - 3/4	1	1/4	1 - 5 - 1
VBB 22502750175	2 - 1/4	2 - 3/4	1 - 3/4	1	1 - 5 - 1
VBB 250030001750	2 - 1/2	3	1 - 3/4	1	1 - 5 - 1
VBB 30003500	3	3 - 1/2	1	1/4	1 - 5 - 1
VBB 30003500175	3	3 - 1/2	1 - 3/4	1	1 - 5 - 1
VBB 35004000G75	3 - 1/2	4	3/4	1/4	1 - 3 - 1
VBB 35004000G	3 - 1/2	4	1	1/4	1 - 5 - 1
VBB 40004500G	4	4 - 1/2	1	1/4	1 - 5 - 1
VBB 450050001125	4 - 1/2	5	1 - 1/8	1/2	1 - 4 - 1
VBB 45005000	4 - 1/2	5	1	1/4	1 - 5 - 1
VBB 50005500G	5	5 - 1/2	1	1/4	1 - 5 - 1
VBB 550060001125	5 - 1/2	6	1 - 1/8	1/2	1 - 4 - 1
VBB 55006000	5 - 1/2	6	1	1/4	1 - 5 - 1
VBB 60006500G	6	6 - 1/2	1	1/4	1 - 5 - 1
VBB 60006500125	6	6 - 1/2	1 - 1/4	1/2	1 - 5 - 1

Vee Packing

Chemical Injection Sets



Vee Packing

Part Number	A Shaft Dia.	B Groove Dia.	C Groove Width	Material
VP 0187075S	3/16	3/4	1.05	Nitrile
VP 0250087S	1/4	7/8	1	Nitrile
VP 0250087S1	1/4	7/8	1.12	Nitrile
VP 0375087S	3/8	7/8	1.12	Nitrile
VP 0500100S1090	1/2	1	1.09	Nitrile
VP 0750125S1	3/4	1 - 1/4	1	Nitrile
VP 0875137S	7/8	1 - 3/8	1	Nitrile
VP 0875137S1	7/8	1 - 3/8	1.12	Nitrile
VP 1000150S	1	1 - 1/2	1.12	Nitrile
VP 1250175S	1 1/4	1 - 3/4	1.12	Nitrile
VP 0250087SROCK	1/4	7/8	1.12	Nitrile Hard
VP 0375087SROCK	3/8	7/8	1	Nitrile Hard
VP 0500100SROCK	1/2	1	1	Nitrile Hard
VP 0750125SROCK	3/4	1 - 1/4	1.375	Nitrile Hard
VPT 01870750S1066	3/16	3/4	1.06	PTFE
VPT 01870750S1010	3/16	3/4	1.01	PTFE

Part Number	A Shaft Dia.	B Groove Dia.	C Groove Width	Material
VPT 0250087S1080	1/4	7/8	1.08	PTFE
VPT 0375087S0975	3/8	7/8	0.975	PTFE
VPT 0500100S0955	1/2	1	0.955	PTFE
VPT 07501250S1135	3/4	1 - 1/4	1.135	PTFE
VPT 10001500S1066	1	1 - 1/2	1.066	PTFE
VPT 1250175S1055	1 - 1/4	1 - 3/4	1.055	PTFE
VPT 1250187S1175	1 - 1/4	1 - 3/4	1.175	PTFE
VPV 0250087S1100	1/4	7/8	1.12	Viton™
VPV 0375087S1000	3/8	7/8	1	Viton™
VPV 0500100S	1/2	1	1	Viton™
VPV 1000150S	1	1 - 1/2	1.375	Viton™
VPV 1250175S2	1 - 1/4	1 - 3/4	1.125	Viton™
VP 0187075SF	3/16		1.06	Fluorosilicone
VP 0250087SF	1/4	7/8	1.17	Fluorosilicone
VP 0375087SF	3/8	7/8	1.17	Fluorosilicone
VP 0500100SF	1/2	1	1.17	Fluorosilicone